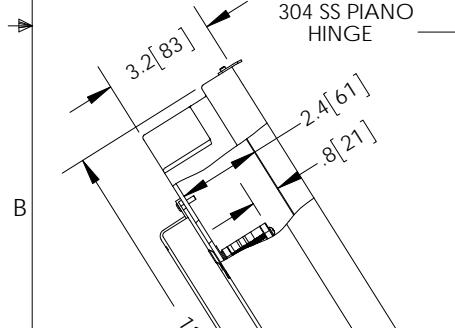
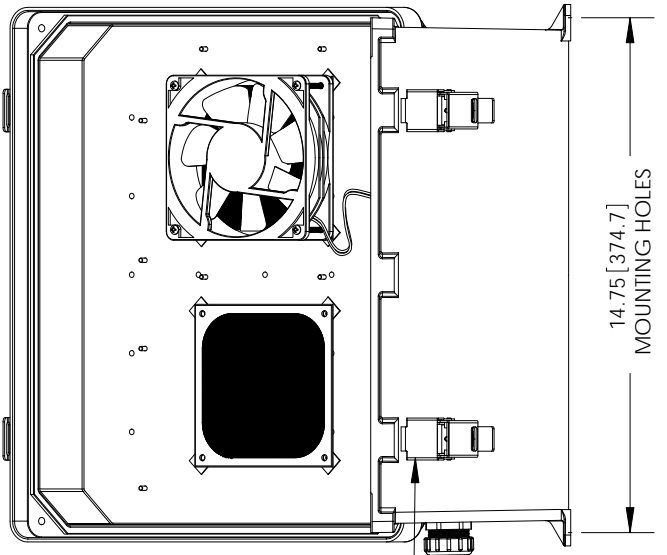
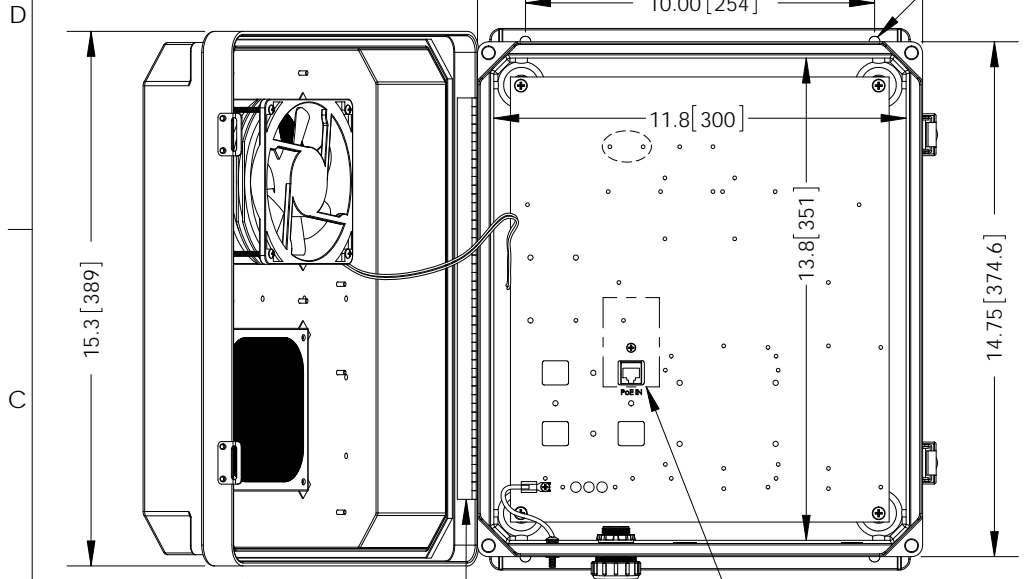


THE INFORMATION CONTAINED IN THIS DRAWING IS THE SOLE PROPERTY OF L-COM, INC. ANY REPRODUCTION IN PART OR WHOLE WITHOUT THE WRITTEN PERMISSION OF L-COM, INC. IS PROHIBITED.

| REVISIONS | | | |
|-----------|-----------------|----------|------------|
| REV | DESCRIPTION | DATE | APPROVED |
| A | INITIAL RELEASE | 06/06/13 | B.Puchaski |
| | | | |
| | | | |

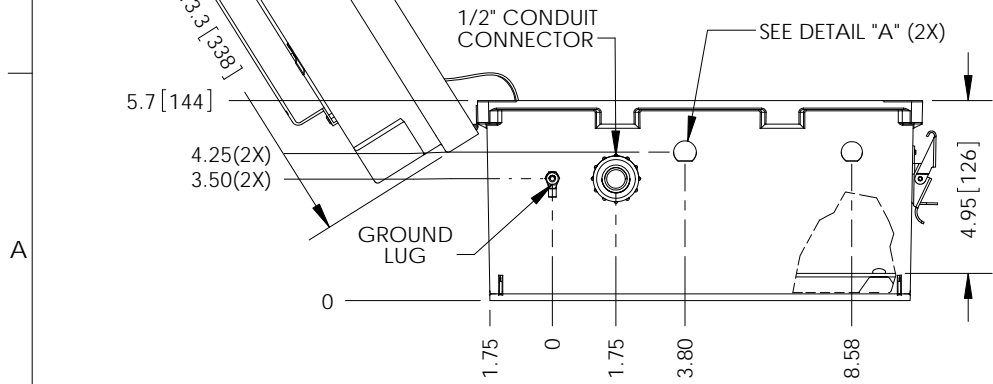
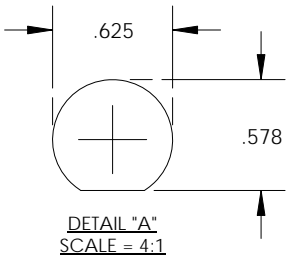
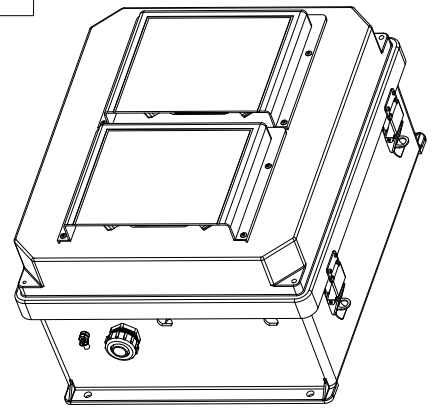


NOTE:
 1- ENCLOSURE MATERIAL-GRAY (RAL7035)
 HOT MOLDED FIBERGLASS REINFORCED POLYESTER
 2- SELF EXTINGUISHING AND HALOGEN FREE.
 3- CABINETS ARE MAINTENANCE FREE AND CORROSION RESISTANT.
 4- SHALL BE PACKAGED AS PER L-COM SPEC PKG-00070
 5- ALL DIMENSIONS FOR REFERENCE ONLY

REGULATORY COMPLIANCE:
 RoHS, CE

HIDDEN LINES REPRESENT COMPONENTS ON BACK OF PLATE - DO NOT DRILL -

316 SS PADLOCKABLE LATCHES
 Ø .375 PADLOCK EYE



| | | |
|---|----------------------------|----------|
| UNLESS OTHERWISE SPECIFIED, DIMENSIONS ARE IN INCHES [mm] DIMENSIONAL TOLERANCES: .X = ±.1 .XX = ±.01 .XXX = ±.005 ANGULAR TOLERANCES: ALL = ± 1° PROJECTION | APPROVALS | DATE |
| | DRAWN BY B.PUCHASKI | 06/06/13 |
| | CHECKED BY P.PESA | 06/06/13 |
| | APPROVED BY P.PESA | 06/06/13 |
| CONFIGURATION DETAILS OF UNDIMENSIONED FEATURES MAY VARY | COLOR VARIATIONS MAY OCCUR | |

L-com Global Connectivity
 45 BEECHWOOD DRIVE
 NORTH ANDOVER, MA
 01845

CATEGORY
ENCLOSURE

PRODUCT DESCRIPTION
**NEMA ENCLOSURE 14 X 12 X 7 WEATHERPROOF
 POE 48VDC W/ 802.3 af INTERFACE AND FAN**

| | | | |
|------------------|--------------------------|-----------------------------------|------------------|
| SIZE A | FSCM NO. 43321 | DWG. NO. NB141207-40FAF | REV. A |
| SCALE: NONE | | CAD FILE: NB141207-40FAF.SLDDRW | SHEET 1 OF 1 |