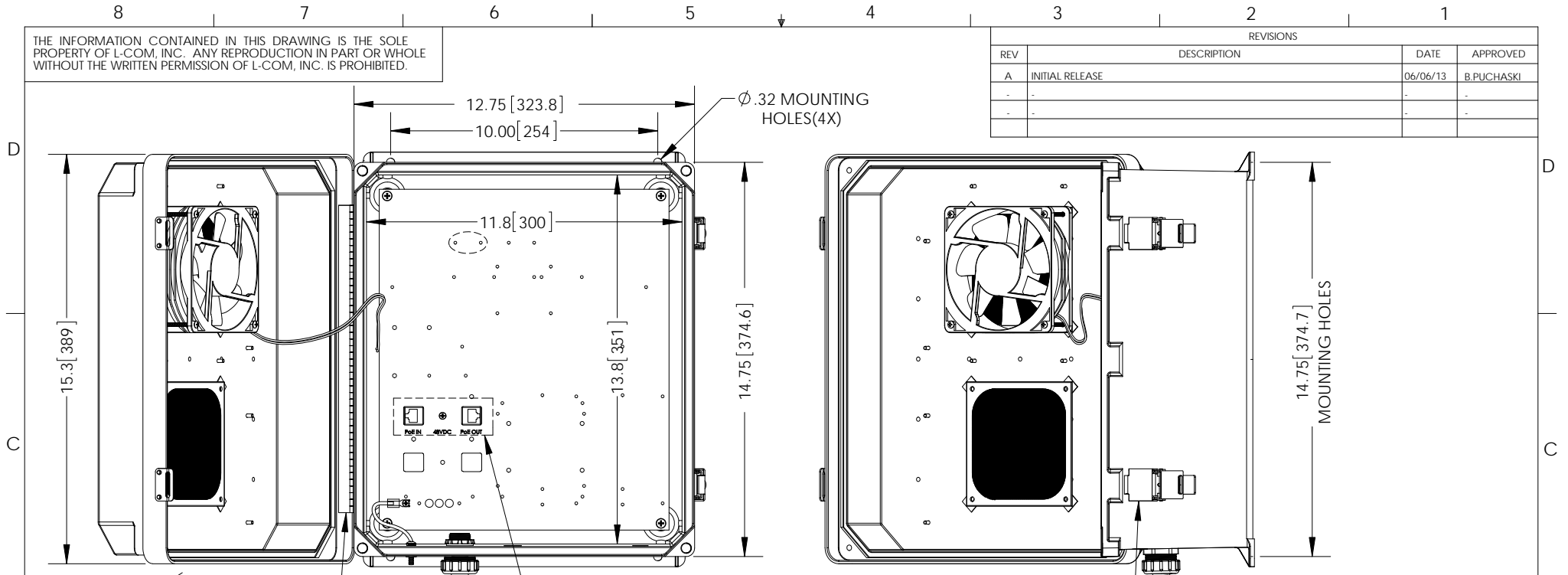


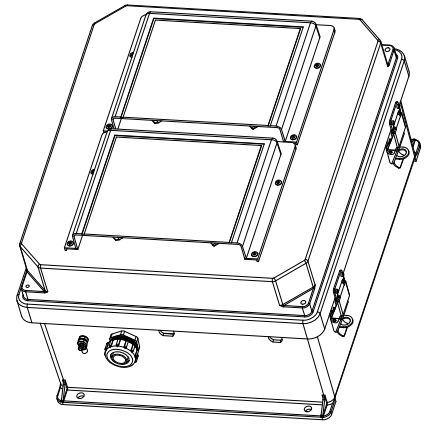
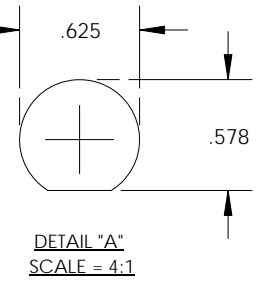
THE INFORMATION CONTAINED IN THIS DRAWING IS THE SOLE PROPERTY OF L-COM, INC. ANY REPRODUCTION IN PART OR WHOLE WITHOUT THE WRITTEN PERMISSION OF L-COM, INC. IS PROHIBITED.

REVISIONS			
REV	DESCRIPTION	DATE	APPROVED
A	INITIAL RELEASE	06/06/13	B.PUCHASKI
-	-	-	-
-	-	-	-



- NOTE:**
- 1- ENCLOSURE MATERIAL-GRAY (RAL7035) HOT MOLDED FIBERGLASS REINFORCED POLYESTER
 - 2- SELF EXTINGUISHING AND HALOGEN FREE.
 - 3- CABINETS ARE MAINTENANCE FREE AND CORROSION RESISTANT.
 - 4- SHALL BE PACKAGED AS PER L-COM SPEC PKG-00070
 - 5- ALL DIMENSIONS FOR REFERENCE ONLY

REGULATORY COMPLIANCE:
RoHS, CE



UNLESS OTHERWISE SPECIFIED, DIMENSIONS ARE IN INCHES [mm] DIMENSIONAL TOLERANCES: .X = ±.1 [2.54] .XX = ±.01 [.25] .XXX = ±.005 [.13] ANGULAR TOLERANCES: ALL = ± 1° PROJECTION	APPROVALS DRAWN BY B.PUCHASKI CHECKED BY P.PESA APPROVED BY P.PESA	DATE 06/06/13 06/06/13 06/06/13		45 BEECHWOOD DRIVE NORTH ANDOVER, MA 01845	
	CATEGORY ENCLOSURE			PRODUCT DESCRIPTION NEMA ENCLOSURE 14 X 12 X 7 WEATHERPROOF POE 48VDC W/ FAN	
	COLOR VARIATIONS MAY OCCUR		SIZE A	FSCM NO. 43321	DWG. NO. NB141207-40F
	SCALE: NONE		CAD FILE: NB141207-40F.SLDDRW		SHEET 1 OF 1