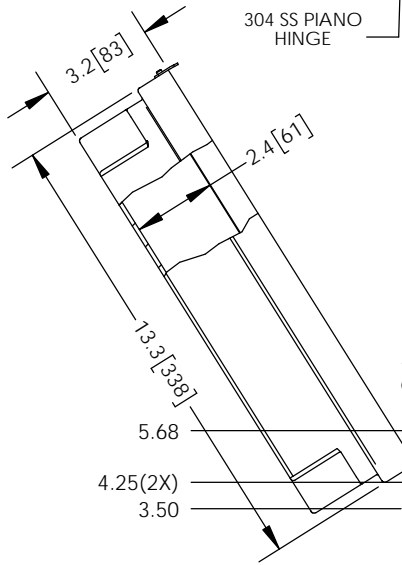
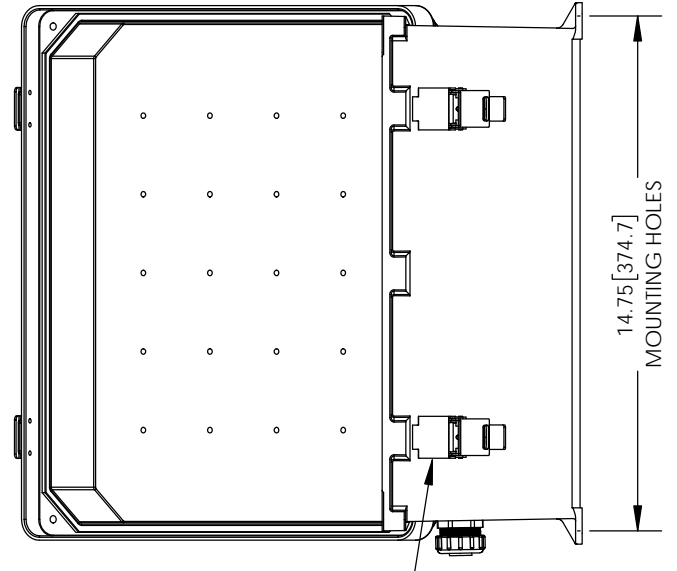
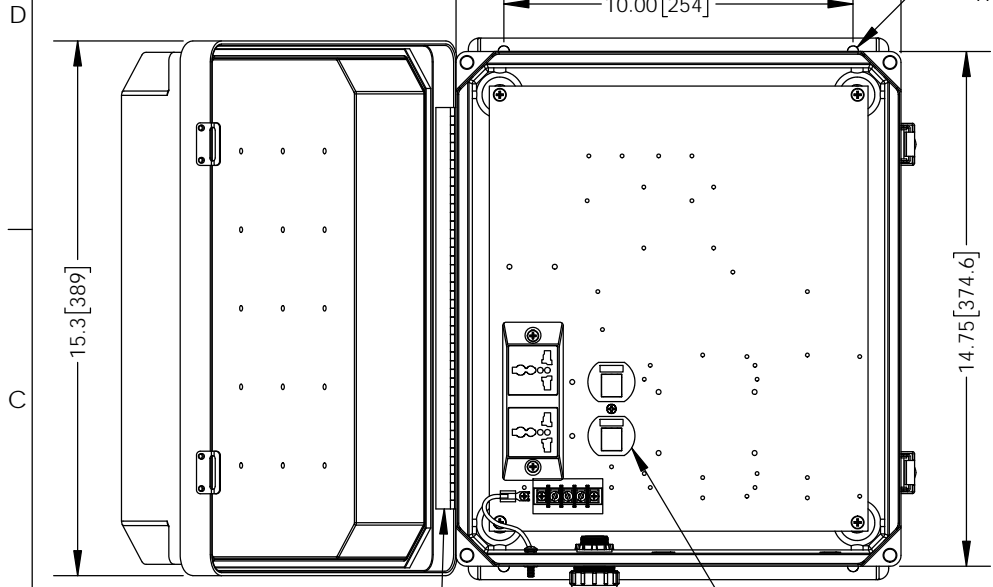


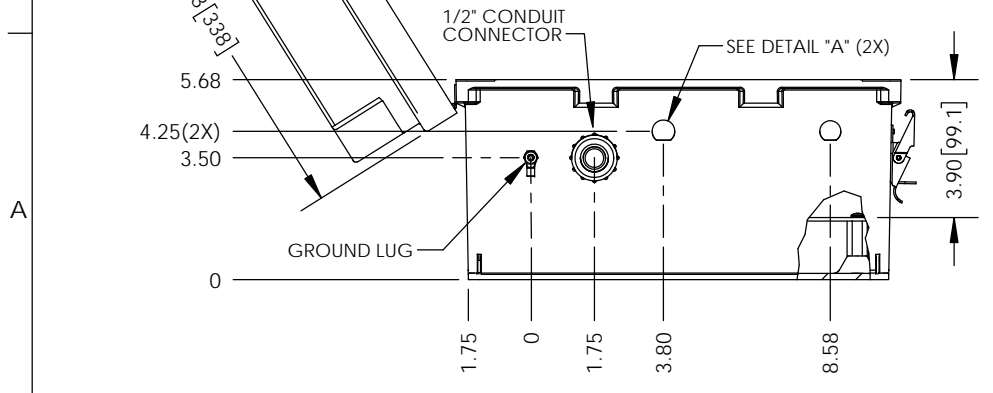
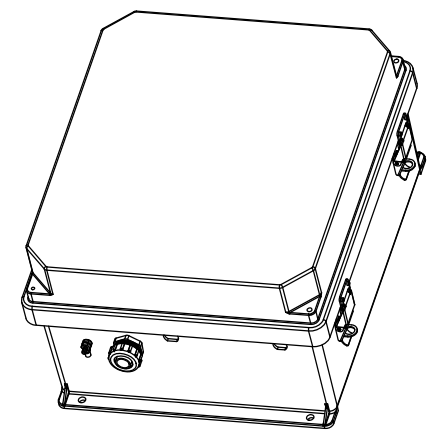
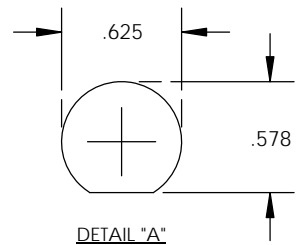
THE INFORMATION CONTAINED IN THIS DRAWING IS THE SOLE PROPERTY OF L-COM, INC. ANY REPRODUCTION IN PART OR WHOLE WITHOUT THE WRITTEN PERMISSION OF L-COM, INC. IS PROHIBITED.

REVISIONS			
REV	DESCRIPTION	DATE	APPROVED
A	INITIAL RELEASE	05/21/2013	BPUCHASKI
B	ECN 9385 ADDED DUPLAEX OUTLET HOLE FILLER	08/29/2018	BPUCHASKI



- NOTE:**
- ENCLOSURE MATERIAL-GRAY (RAL7035) HOT MOLDED FIBERGLASS REINFORCED POLYESTER
  - SELF EXTINGUISHING AND HALOGEN FREE.
  - CABINETS ARE MAINTENANCE FREE AND CORROSION RESISTANT.
  - SHALL BE PACKAGED AS PER L-COM SPEC PKG-00070
  - ALL DIMENSIONS FOR REFERENCE ONLY.

**REGULATORY COMPLIANCE:**  
RoHS, CE



UNLESS OTHERWISE SPECIFIED, DIMENSIONS ARE IN INCHES [mm]  DIMENSIONAL TOLERANCES: .X = ±.1 [2.54] .XX = ±.01 [.25] .XXX = ±.005 [.13]  ANGULAR TOLERANCES: ALL = ± 1°	APPROVALS	DATE	 50 HIGH STREET NORTH ANDOVER, MA 01845
	DRAWN BY BPUCHASKI	05/21/2013	
	CHECKED BY P.PSEA	05/21/2013	
	APPROVED BY P.PSEA	05/21/2013	
PROJECTION 	CONFIGURATION DETAILS OF UNDIMENSIONED FEATURES MAY VARY		<b>CATEGORY</b>  ENCLOSURE
COLOR VARIATIONS MAY OCCUR	SCALE: NONE		<b>PRODUCT DESCRIPTION</b> NEMA ENCLOSURE 14 X 12 X 7 WEATHERPROOF UNIVERSAL 120-240VAC
SIZE <b>A</b>	CAGE CODE <b>43321</b>	DWG. NO. <b>NB141207-E00</b>	<b>REV.</b> <b>B</b>
CAD FILE: NB141207-E00.SLDDRW		SHEET 1 OF 1	