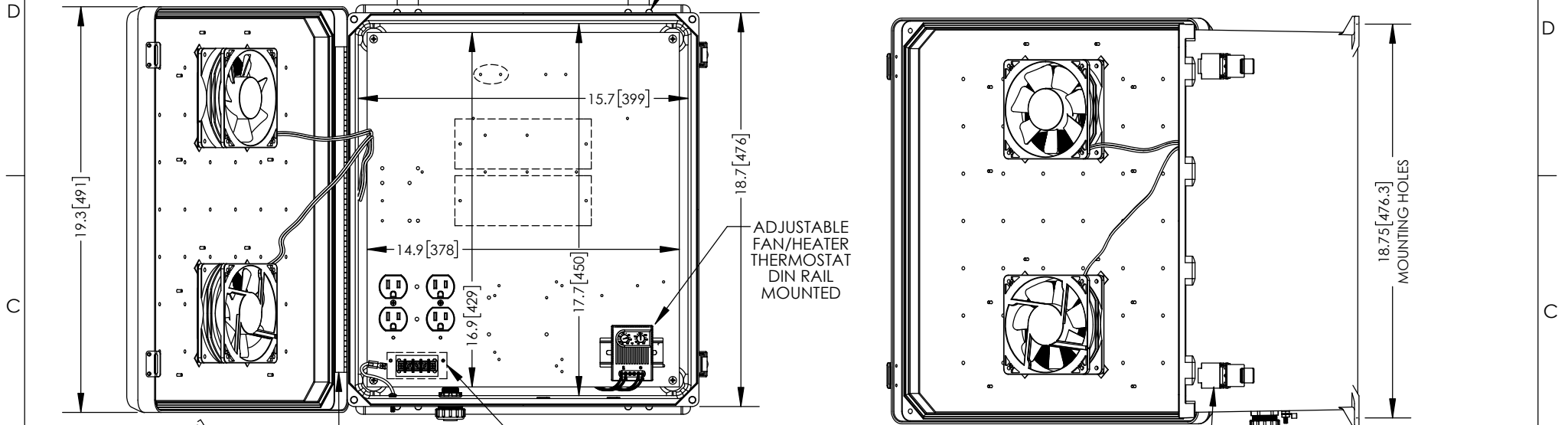


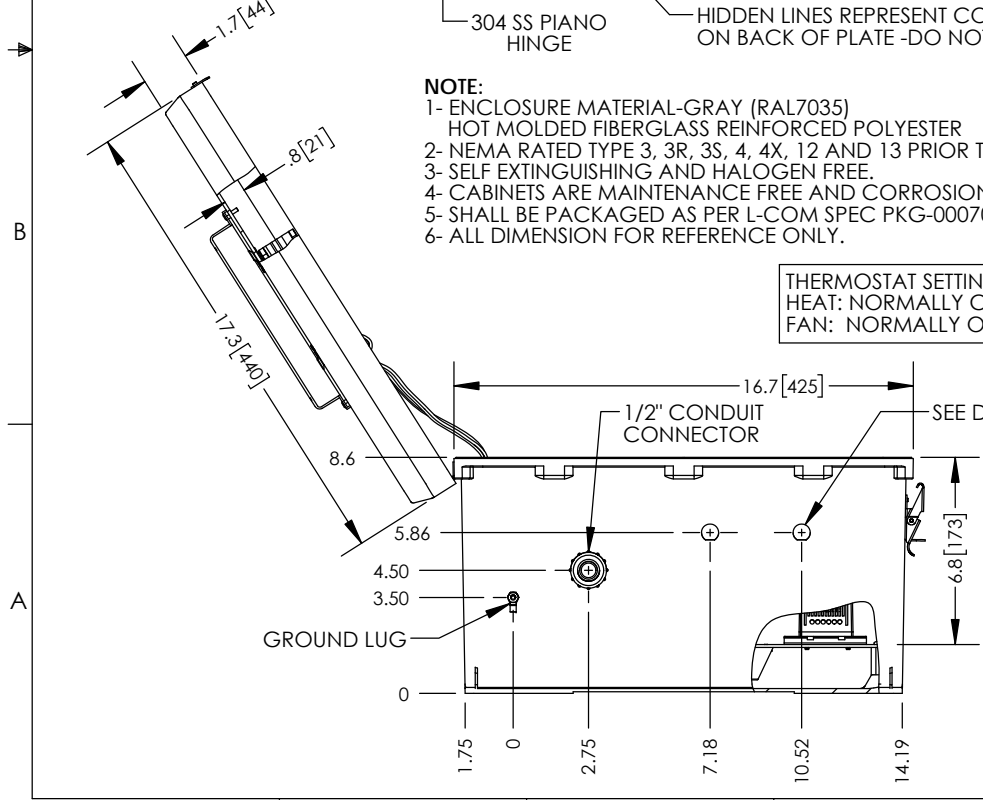
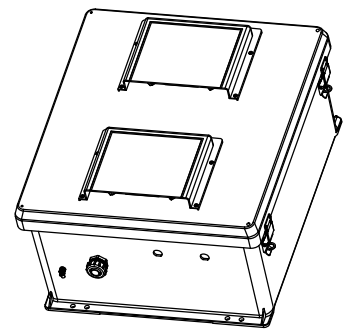
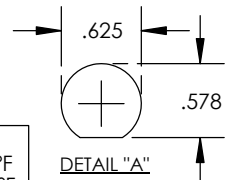
THE INFORMATION CONTAINED IN THIS DRAWING IS THE SOLE PROPERTY OF L-COM, INC. ANY REPRODUCTION IN PART OR WHOLE WITHOUT THE WRITTEN PERMISSION OF L-COM, INC. IS PROHIBITED.

REVISIONS			
REV	DESCRIPTION	DATE	APPROVED
A	REV A DRAWING RELEASED	05/10/2019	MMARTINEZ
B	ECN 9942 ADDED THERMOSTAT LOCATION	07/03/2019	BPUCHASKI



- NOTE:**
- ENCLOSURE MATERIAL-GRAY (RAL7035) HOT MOLDED FIBERGLASS REINFORCED POLYESTER
  - NEMA RATED TYPE 3, 3R, 3S, 4, 4X, 12 AND 13 PRIOR TO MODIFICATIONS.
  - SELF EXTINGUISHING AND HALOGEN FREE.
  - CABINETS ARE MAINTENANCE FREE AND CORROSION RESISTANT.
  - SHALL BE PACKAGED AS PER L-COM SPEC PKG-00070.
  - ALL DIMENSION FOR REFERENCE ONLY.

THERMOSTAT SETTING RANGE:  
 HEAT: NORMALLY CLOSED - OPEN ON RISE +14°F TO +122°F  
 FAN: NORMALLY OPEN - CLOSED ON RISE +68°F TO +176°F



UNLESS OTHERWISE SPECIFIED, DIMENSIONS ARE IN INCHES [mm] OVERALL CABLE LENGTH TOLERANCE: <math>\le 12 [305] = +1 [25] / -0</math> <math>>12 [305] \le 60 [1524] = +2 [51] / -0</math> <math>>60 [1524] \le 120 [3048] = +4 [102] / -0</math> <math>>120 [3048] \le 300 [7620] = +6 [152] / -0</math> <math>>300 [7620] = +5\% / -0\%</math>	APPROVALS	DATE	50 HIGH STREET NORTH ANDOVER, MA 01845		
	DRAWN BY BPUCHASKI	04/10/2019	L-com Global Connectivity		
ALL OTHER DIMENSIONAL TOLERANCES: .X = ± .2 [5.08] .XX = ± .02 [1.51] .XXX = ± .005 [1.13]	CHECKED BY DFRISIELLO	04/10/2019	CATEGORY ENCLOSURE		
PROJECTION	APPROVED BY MMARTINEZ	05/06/2019	PRODUCT DESCRIPTION ENCL,FRP 18x16x8" 120VAC ADJ THERMOSTAT FAN/HEAT		
	CONFIGURATION DETAILS OF UNDIMENSIONED FEATURES MAY VARY	COLOR VARIATIONS MAY OCCUR	SIZE A	FSCM NO. 43321	DWG. NO. NB181608-1HFA2
SCALE: NONE			CAD FILE: NB181608-1HFA2.SLDRW	SHEET 1 OF 1	