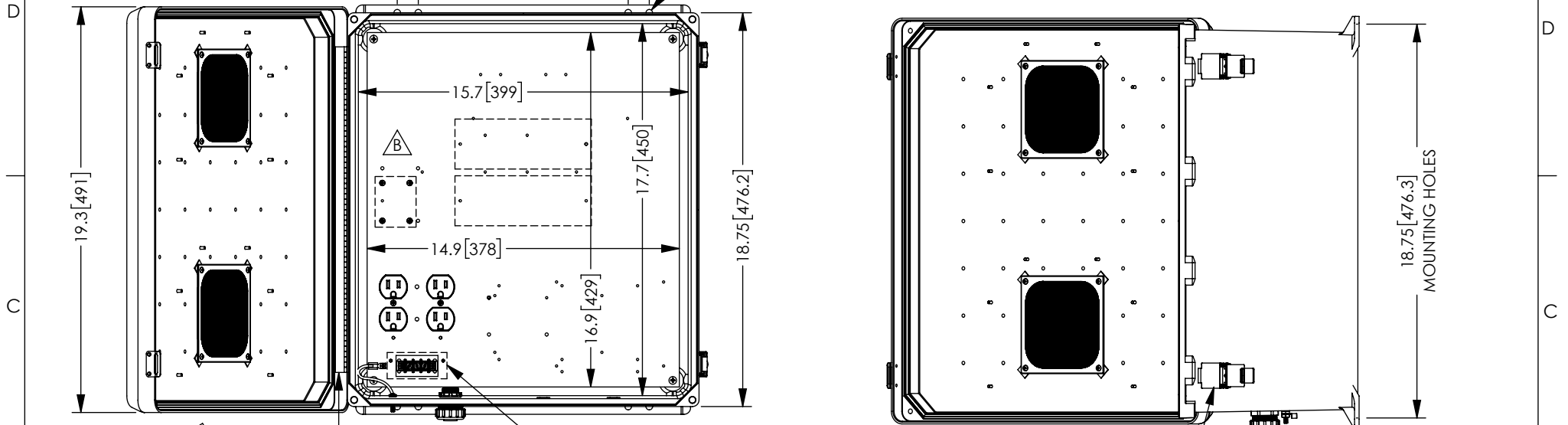


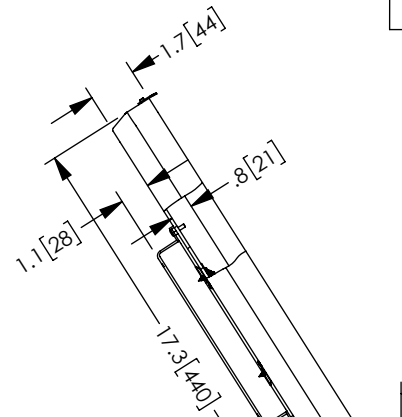
THE INFORMATION CONTAINED IN THIS DRAWING IS THE SOLE PROPERTY OF L-COM, INC. ANY REPRODUCTION IN PART OR WHOLE WITHOUT THE WRITTEN PERMISSION OF L-COM, INC. IS PROHIBITED.

REVISIONS			
REV	DESCRIPTION	DATE	APPROVED
A	INITIAL RELEASE	05/25/2018	DFRISIELLO
B	ECN 9506 UPDATE PCB HIDDEN LINE LOCATION	11/12/2018	BPUCHASKI

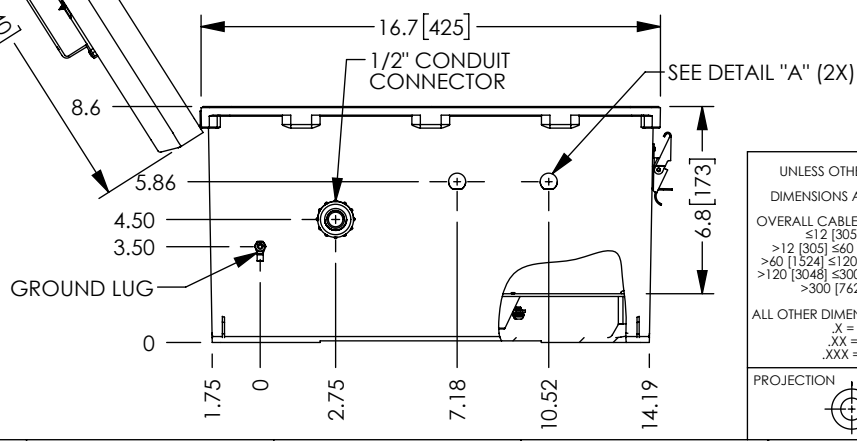
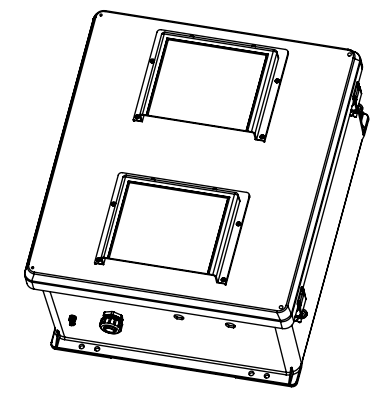
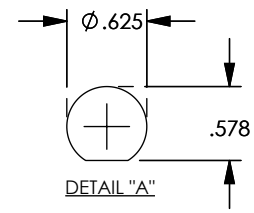


- NOTE:**
- ENCLOSURE MATERIAL: GRAY (RAL7035)
HOT MOLDED FIBERGLASS REINFORCED POLYESTER
 - NEMA RATED TYPE 3, 3R, 3S, 4, 4X, 12 AND 13 PRIOR TO MODIFICATIONS.
 - ICE 529 RATED IP 66 PRIOR TO MODIFICATION.
 - TEMPERATURE RANGE FROM -50 DEG C TO 150 DEG C.
 - SELF EXTINGUISHING AND HALOGEN FREE.
 - CABINETS ARE MAINTENANCE FREE AND CORROSION RESISTANT.
 - SHALL BE PACKAGED AS PER L-COM SPEC PKG-00070
 - ALL DIMENSIONS FOR REFERENCE ONLY.

REGULATORY COMPLIANCE:
CE2011/65/EU (RoHS DIRECTIVE)



316 SS PADLOCKABLE LATCHES
Ø.375 PADLOCK EYE



UNLESS OTHERWISE SPECIFIED, DIMENSIONS ARE IN INCHES [mm] OVERALL CABLE LENGTH TOLERANCE: $\le 12 [305] = +1 [25] / -0$ $> 12 [305] \le 60 [1524] = +2 [51] / -0$ $> 60 [1524] \le 120 [3048] = +4 [102] / -0$ $> 120 [3048] \le 300 [7620] = +6 [152] / -0$ $> 300 [7620] = +5\% / -0\%$	APPROVALS	DATE		50 HIGH STREET NORTH ANDOVER, MA 01845
	DRAWN BY DFRISIELLO	05/25/2018		
ALL OTHER DIMENSIONAL TOLERANCES: .X = ± .2 [5.08] .XX = ± .02 [5.1] .XXX = ± .005 [1.3]	CHECKED BY MMARTINEZ	05/25/2018	CATEGORY ENCLOSURE	
	APPROVED BY MMARTINEZ	05/25/2018	PRODUCT DESCRIPTION ENCL, FRP 18x16x8" GRAY w/120VAC HEAT/VENT/SS MNT PL	
PROJECTION 	CONFIGURATION DETAILS OF UNDIMENSIONED FEATURES MAY VARY	COLOR VARIATIONS MAY OCCUR	SIZE A	FSCM NO. 43321
			DWG. NO. NB181608-1HVS	REV. B
			SCALE: NONE	CAD FILE: NB181608-1HVS.SLDDRW
				SHEET 1 OF 1