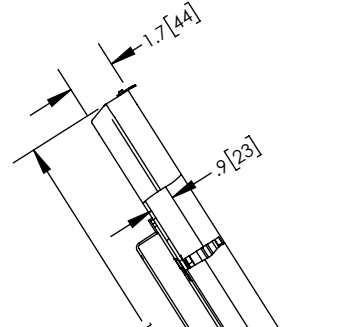
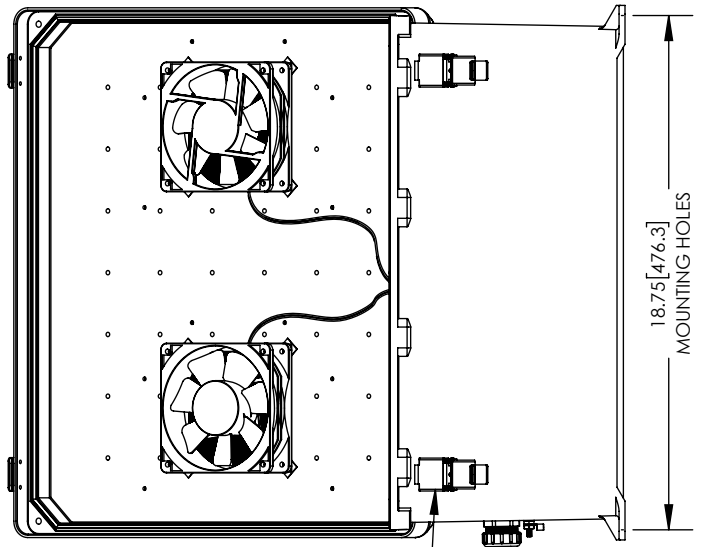
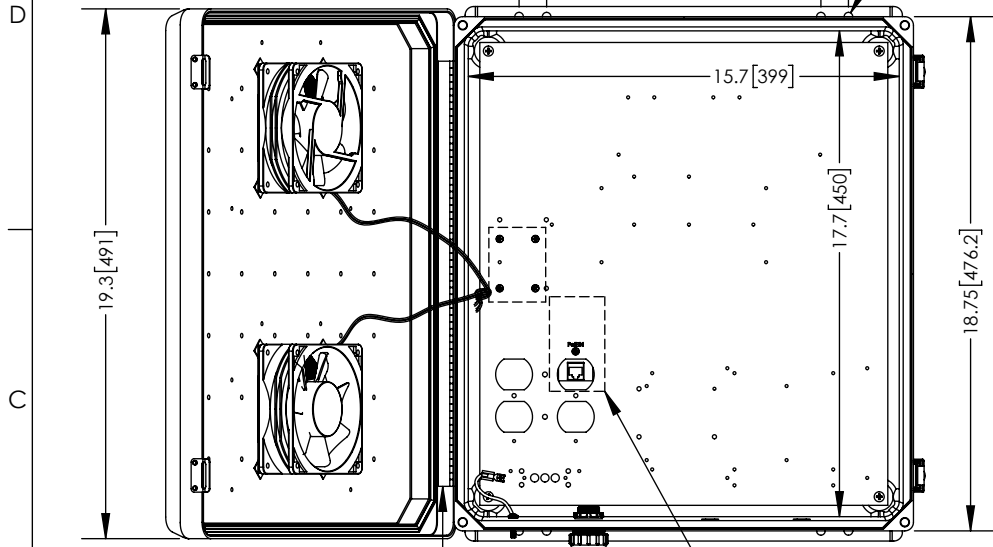
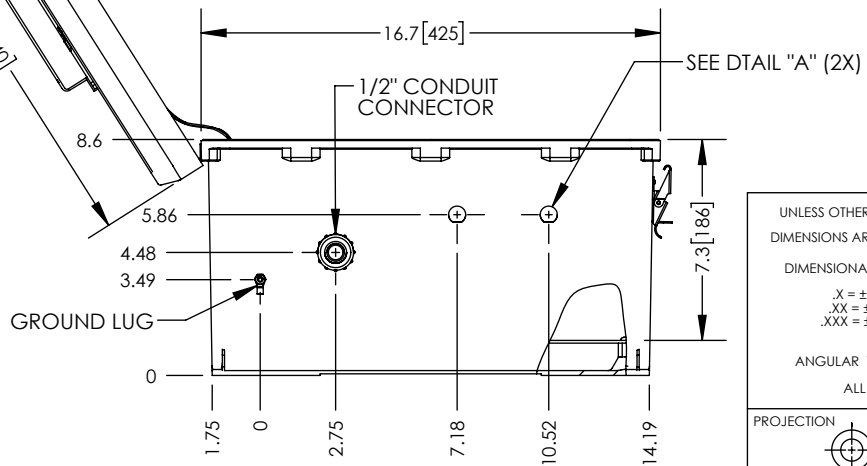
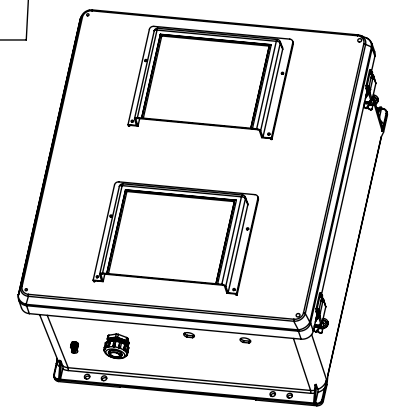
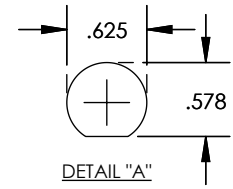


THE INFORMATION CONTAINED IN THIS DRAWING IS THE SOLE PROPERTY OF L-COM, INC. ANY REPRODUCTION IN PART OR WHOLE WITHOUT THE WRITTEN PERMISSION OF L-COM, INC. IS PROHIBITED.

REVISIONS			
REV	DESCRIPTION	DATE	APPROVED
A	REV A DRAWING RELEASED	01/21/2019	BPUCHASKI



- NOTE:**
- ENCLOSURE MATERIAL-GRAY (RAL7035) HOT MOLDED FIBERGLASS REINFORCED POLYESTER
  - SELF EXTINGUISHING AND HALOGEN FREE.
  - CABINETS ARE MAINTENANCE FREE AND CORROSION RESISTANT.
  - SHALL BE PACKAGED AS PER L-COM SPEC PKG-00070
  - ALL DIMENSIONS FOR REFERENCE ONLY.



UNLESS OTHERWISE SPECIFIED, DIMENSIONS ARE IN INCHES [mm] DIMENSIONAL TOLERANCES: .X = ±.1 [2.54] .XX = ±.01 [2.5] .XXX = ±.005 [1.3]  ANGULAR TOLERANCES: ALL = ± 1°  PROJECTION	APPROVALS DRAWN BY BPUCHASKI CHECKED BY DFRISIELLO APPROVED BY MMARTINEZ	DATE 01/15/2019 01/15/2019 01/15/2019	50 HIGH STREET NORTH ANDOVER, MA 01845
	CATEGORY <b>ENCLOSURE</b>		
	CONFIGURATION DETAILS OF UNDIMENSIONED FEATURES MAY VARY  COLOR VARIATIONS MAY OCCUR	SIZE <b>A</b> FSCM NO. <b>43321</b> DWG. NO. <b>NB181608-40FSAF</b>	REV. <b>A</b>
	SCALE: NONE		CAD FILE: NB181608-40FSAF.SLDDRW
			SHEET 1 OF 1