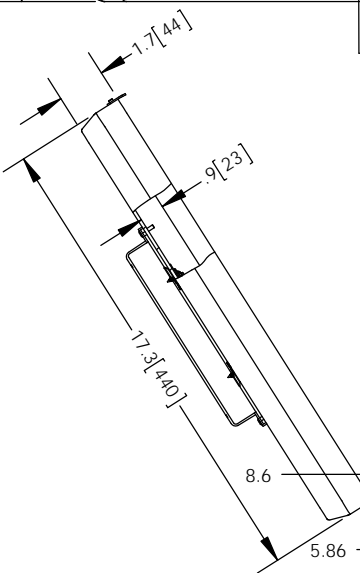
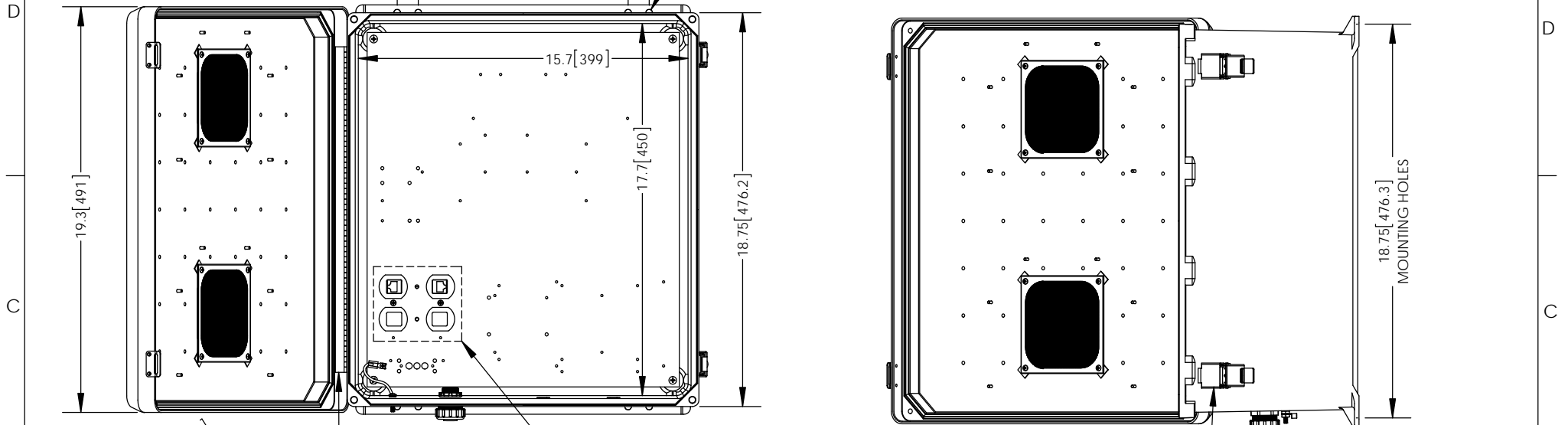


THE INFORMATION CONTAINED IN THIS DRAWING IS THE SOLE PROPERTY OF L-COM, INC. ANY REPRODUCTION IN PART OR WHOLE WITHOUT THE WRITTEN PERMISSION OF L-COM, INC. IS PROHIBITED.

REVISIONS			
REV	DESCRIPTION	DATE	APPROVED
A	INITIAL RELEASE	06/18/13	B.PUCHASKI
-	-	-	-
-	-	-	-

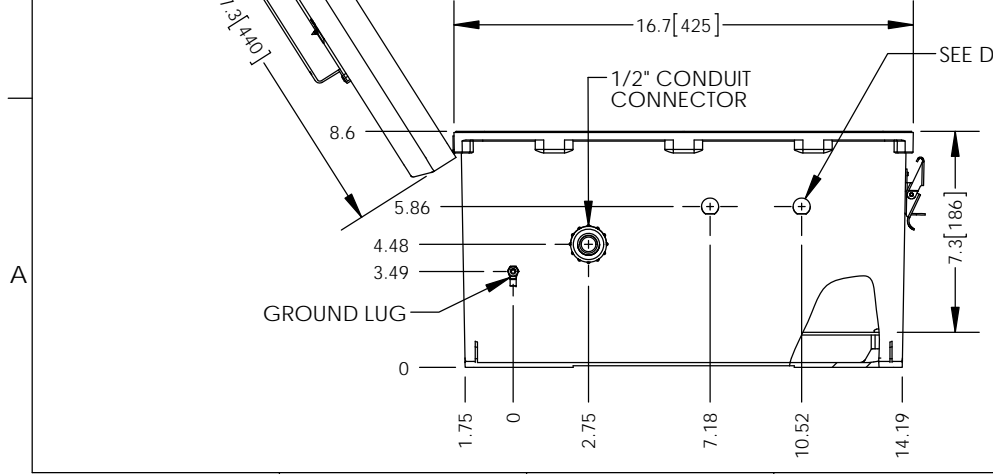
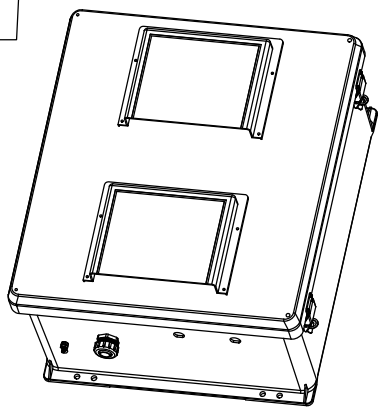
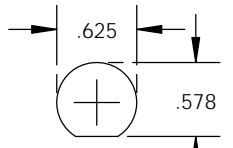


- NOTE:**
- ENCLOSURE MATERIAL-GRAY (RAL7035) HOT MOLDED FIBERGLASS REINFORCED POLYESTER
 - SELF EXTINGUISHING AND HALOGEN FREE.
 - CABINETS ARE MAINTENANCE FREE AND CORROSION RESISTANT.
 - SHALL BE PACKAGED AS PER L-COM SPEC PKG-00070
 - ALL DIMENSIONS FOR REFERENCE ONLY.

REGULATORY COMPLIANCE:
RoHS, CE

HIDDEN LINES REPRESENT COMPONENTS ON BACK OF PLATE -DO NOT DRILL-

316 SS PADLOCKABLE LATCHES
Ø.375 PADLOCK EYE



UNLESS OTHERWISE SPECIFIED, DIMENSIONS ARE IN INCHES [mm]	APPROVALS	DATE		45 BEECHWOOD DRIVE NORTH ANDOVER, MA 01845
	DRAWN BY B.PUCHASKI	06/18/13		
	CHECKED BY P.PESA	06/18/13		
	APPROVED BY P.PESA	06/18/13		
DIMENSIONAL TOLERANCES: .X = ±.1 .XX = ±.01 .XXX = ±.005	CONFIGURATION DETAILS OF UNDIMENSIONED FEATURES MAY VARY		CATEGORY ENCLOSURES	
ANGULAR TOLERANCES: ALL = ± 1°	COLOR VARIATIONS MAY OCCUR		PRODUCT DESCRIPTION NEMA ENCLOSURE 18 X 16 X 8 WEATHERPROOF POE 48VDC VENTED	
PROJECTION 	SIZE A	FSCM NO. 43321	DWG. NO. NB181608-40V	REV. A
SCALE: NONE		CAD FILE: NB181608-40V.SLDRW		SHEET 1 OF 1