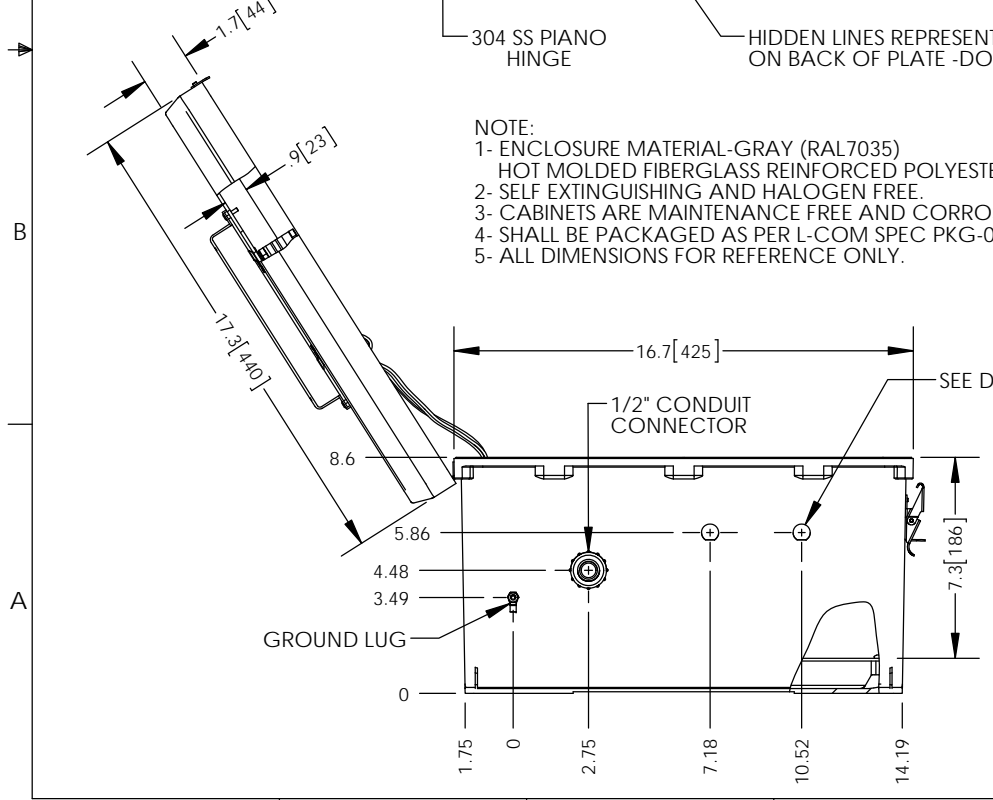
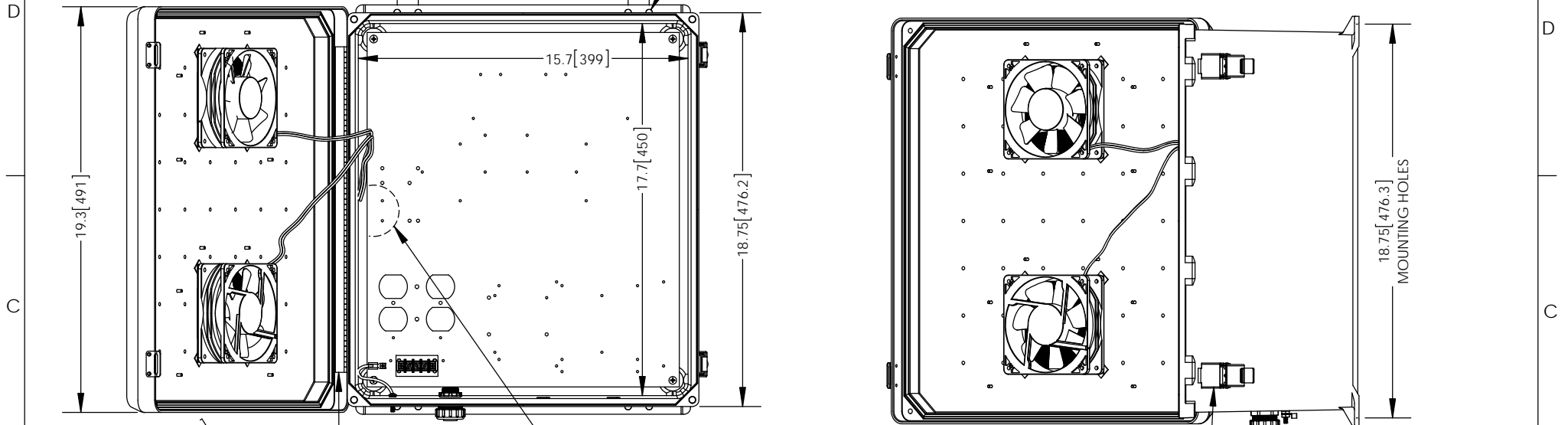


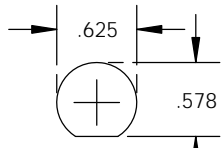
THE INFORMATION CONTAINED IN THIS DRAWING IS THE SOLE PROPERTY OF L-COM, INC. ANY REPRODUCTION IN PART OR WHOLE WITHOUT THE WRITTEN PERMISSION OF L-COM, INC. IS PROHIBITED.

REVISIONS			
REV	DESCRIPTION	DATE	APPROVED
A	INITIAL RELEASE	04/29/13	B.PUCHASKI
-	-	-	-
-	-	-	-

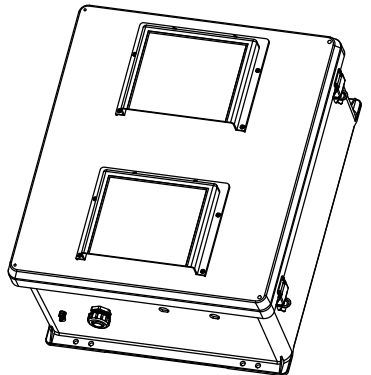


- NOTE:
 1- ENCLOSURE MATERIAL-GRAY (RAL7035)
 HOT MOLDED FIBERGLASS REINFORCED POLYESTER
 2- SELF EXTINGUISHING AND HALOGEN FREE.
 3- CABINETS ARE MAINTENANCE FREE AND CORROSION RESISTANT.
 4- SHALL BE PACKAGED AS PER L-COM SPEC PKG-00070
 5- ALL DIMENSIONS FOR REFERENCE ONLY.

HIDDEN LINES REPRESENT COMPONENTS ON BACK OF PLATE -DO NOT DRILL-



DETAIL "A"
SCALE = 4:1



RoHS Compliant ✓

UNLESS OTHERWISE SPECIFIED, DIMENSIONS ARE IN INCHES [mm] DIMENSIONAL TOLERANCES: .X = ±.1 .XX = ±.01 .XXX = ±.005 ANGULAR TOLERANCES: ALL = ± 1° PROJECTION 	APPROVALS	DATE		45 BEECHWOOD DRIVE NORTH ANDOVER, MA 01845	
	DRAWN BY B.PUCHASKI	04/24/13			
	CHECKED BY P.PESA	04/24/13	CATEGORY	ENCLOSURES	
	APPROVED BY P.PESA	04/24/13	PRODUCT DESCRIPTION		NEMA ENCLOSURE 18 X 16 X 8 WEATHERPROOF 12VDC W/ FANS
	COLOR VARIATIONS MAY OCCUR	SIZE A	FSCM NO. 43321	DWG. NO. NB181608-50F	REV. A
		SCALE: NONE	CAD FILE: NB181608-50F.SLDDRW	SHEET 1 OF 1	