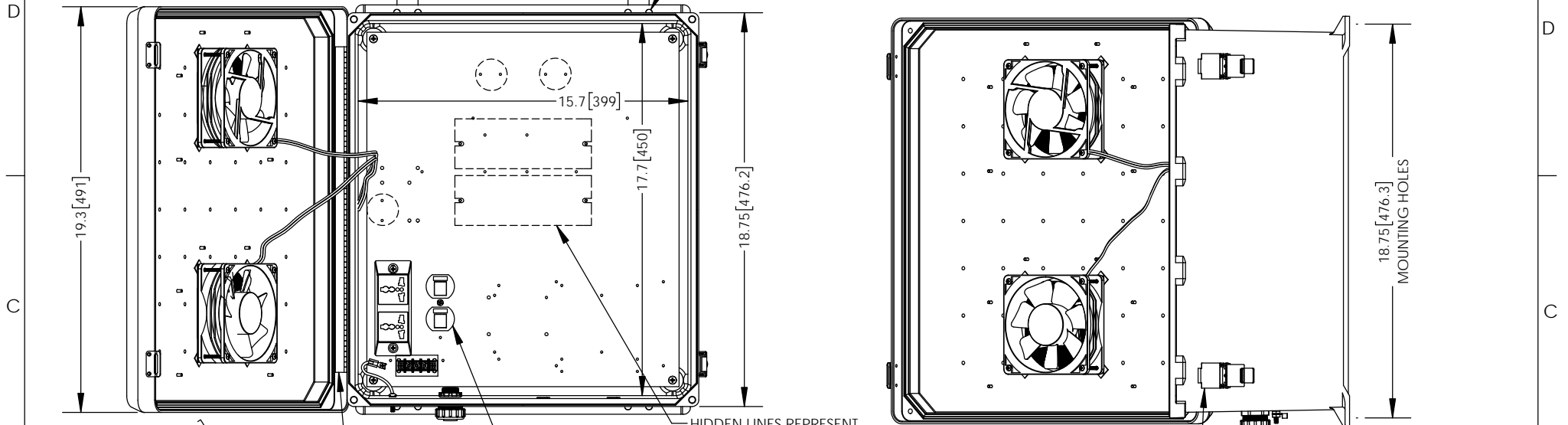


THE INFORMATION CONTAINED IN THIS DRAWING IS THE SOLE PROPERTY OF L-COM, INC. ANY REPRODUCTION IN PART OR WHOLE WITHOUT THE WRITTEN PERMISSION OF L-COM, INC. IS PROHIBITED.

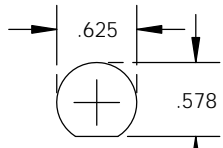
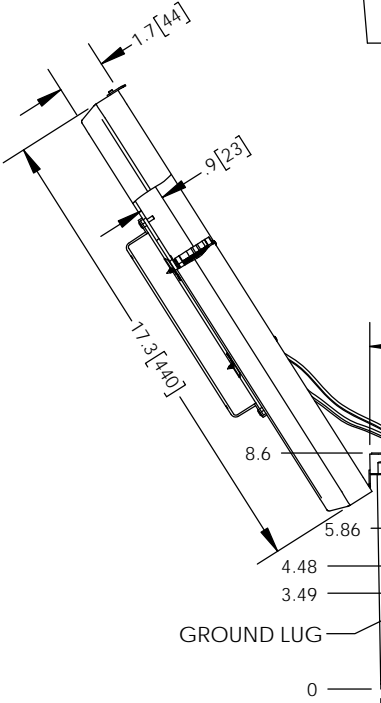
REVISIONS			
REV	DESCRIPTION	DATE	APPROVED
A	INITIAL RELEASE	07/03/2013	BPUCHASKI
B	ECN 9385 ADDED DUPLEX OUTLET HOLE FILLER	09/05/2018	BPUCHASKI



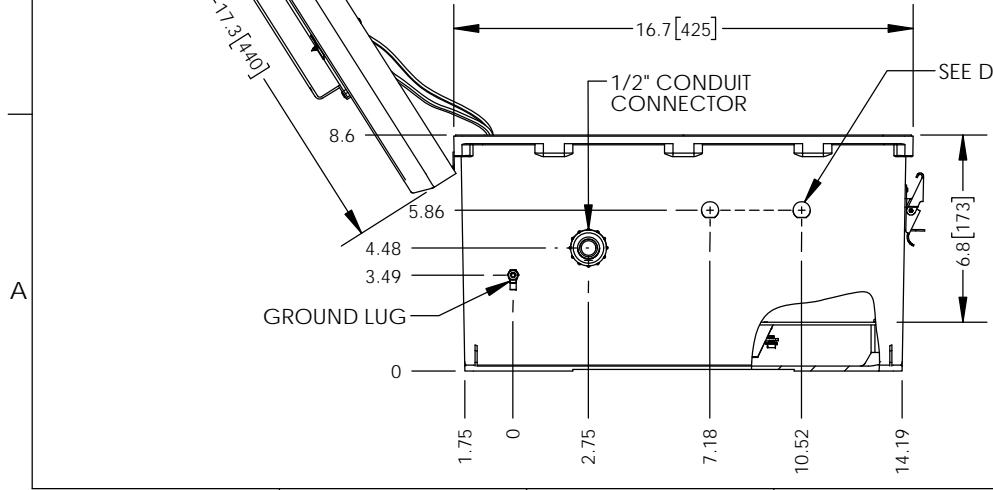
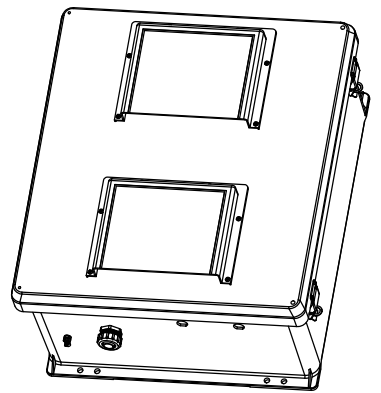
HIDDEN LINES REPRESENT COMPONENTS ON BACK OF PLATE --DO NOT DRILL--

- NOTE:**
- ENCLOSURE MATERIAL-GRAY (RAL7035) HOT MOLDED FIBERGLASS REINFORCED POLYESTER
  - SELF EXTINGUISHING AND HALOGEN FREE.
  - CABINETS ARE MAINTENANCE FREE AND CORROSION RESISTANT.
  - SHALL BE PACKAGED AS PER L-COM SPEC PKG-00070
  - ALL DIMENSIONS FOR REFERENCE ONLY.

**REGULATORY COMPLIANCE:**  
CE2011/65/EU(RoHS DIRECTIVE)



DETAIL "A"  
SCALE = 4:1



UNLESS OTHERWISE SPECIFIED, DIMENSIONS ARE IN INCHES [mm]	APPROVALS	DATE		50 HIGH STREET NORTH ANDOVER, MA 01845
	DRAWN BY BPUCHASKI	07/03/2013		
DIMENSIONAL TOLERANCES: .X = ±.1 [2.54] .XX = ±.01 [.25] .XXX = ±.005 [.13]	CHECKED BY P.PSEA	07/03/2013	CATEGORY	
	APPROVED BY P.PSEA	07/03/2013	ENCLOSURE	
ANGULAR TOLERANCES: ALL = ± 1°	CONFIGURATION DETAILS OF UNDIMENSIONED FEATURES MAY VARY		PRODUCT DESCRIPTION	
PROJECTION	COLOR VARIATIONS MAY OCCUR	SCALE: NONE	NEMA ENCLOSURE 18 X 16 X 8 WEATHERPROOF UNIVERSAL 200-240VAC W/ FANS, HEATER	
	SIZE <b>A</b>	CAGE CODE <b>43321</b>	DWG. NO. <b>NB181608-EHF</b>	REV. <b>B</b>
		SCALE: NONE	CAD FILE: NB181608-EHF.SLDRW	SHEET 1 OF 1