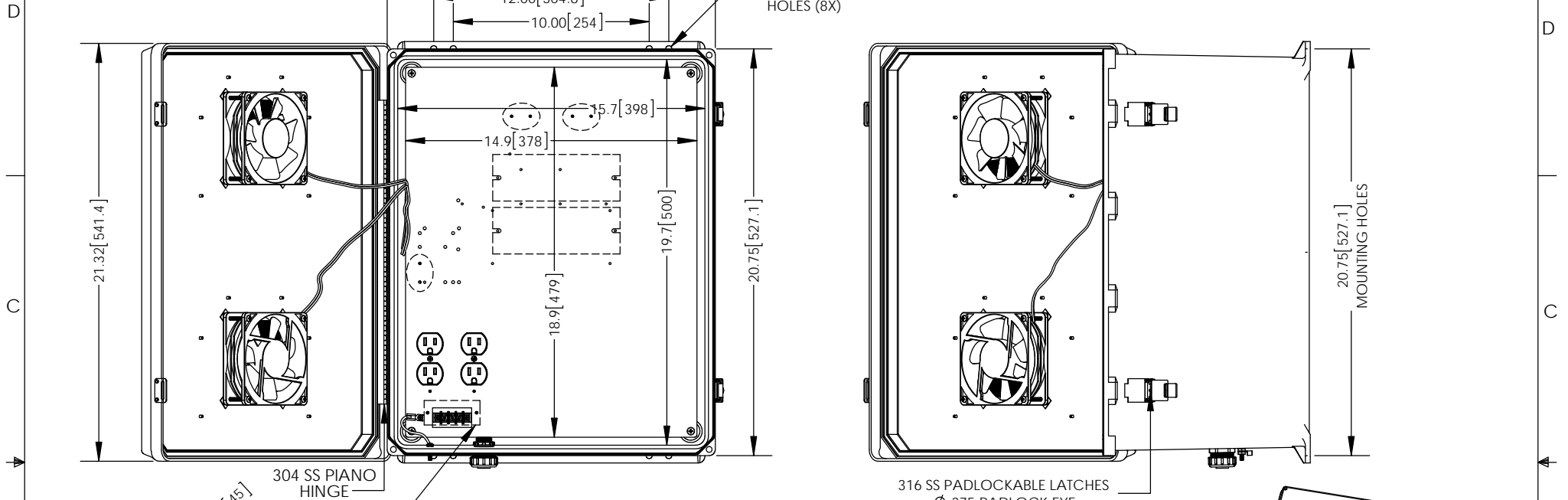


THE INFORMATION CONTAINED IN THIS DRAWING IS THE SOLE PROPERTY OF L-COM, INC. ANY REPRODUCTION IN PART OR WHOLE WITHOUT THE WRITTEN PERMISSION OF L-COM, INC. IS PROHIBITED.

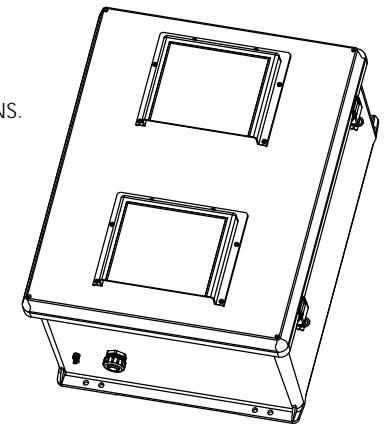
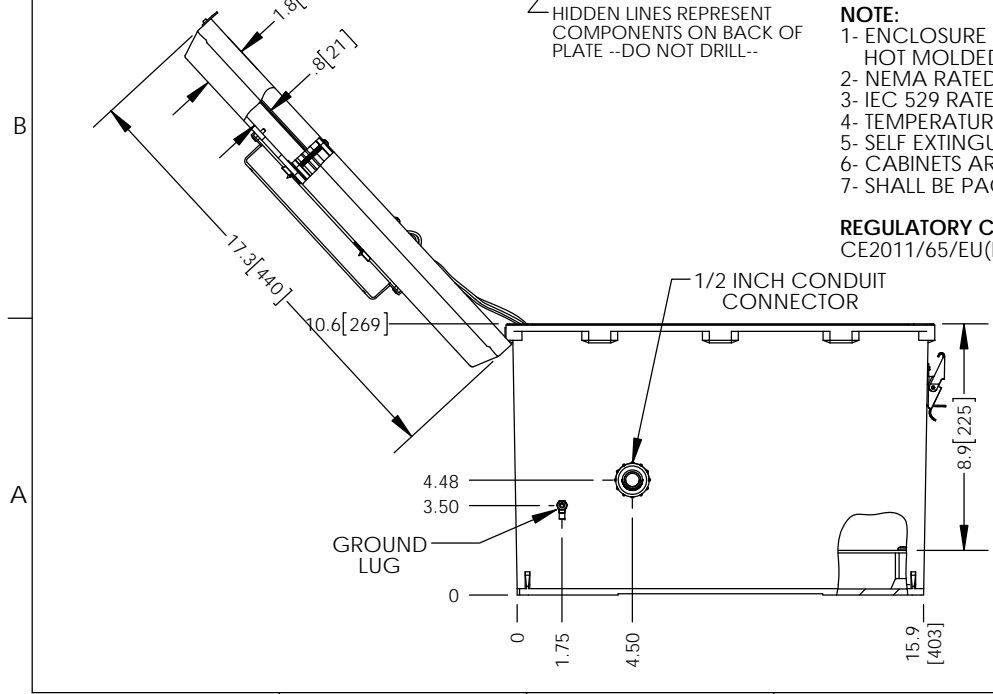
REVISIONS			
REV	DESCRIPTION	DATE	APPROVED
A	INITIAL RELEASE	12/3/14	D.GRIFFIN



HIDDEN LINES REPRESENT COMPONENTS ON BACK OF PLATE --DO NOT DRILL--

- NOTE:**
- ENCLOSURE MATERIAL-GRAY (RAL7035)  
HOT MOLDED FIBERGLASS REINFORCED POLYESTER
  - NEMA RATED TYPE 3, 3R, 3S, 4, 4X, 12 AND 13 PRIOR TO MODIFICATIONS.
  - IEC 529 RATED IP 66 PRIOR TO MODIFICATION.
  - TEMPERATURE RANGE FROM -50 DEG C TO 150 DEG C.
  - SELF EXTINGUISHING AND HALOGEN FREE.
  - CABINETS ARE MAINTENANCE FREE AND CORROSION RESISTANT.
  - SHALL BE PACKAGED AS PER L-COM SPEC PKG-00070

**REGULATORY COMPLIANCE:**  
CE2011/65/EU(RoHS DIRECTIVE)



UNLESS OTHERWISE SPECIFIED, DIMENSIONS ARE IN INCHES [mm]	APPROVALS	DATE	 45 BEECHWOOD DRIVE NORTH ANDOVER, MA 01845
	DRAWN BY B.PUCHASKI	12/02/14	
	CHECKED BY P.PESA	12/02/14	
	APPROVED BY P.PESA	12/02/14	
DIMENSIONAL TOLERANCES: .X = ±.1 [2.54] .XX = ±.01 [.25] .XXX = ±.005 [.13]	CONFIGURATION DETAILS OF UNDIMENSIONED FEATURES MAY VARY		CATEGORY <b>ENCLOSURE</b>
ANGULAR TOLERANCES: ALL = ± 1°	COLOR VARIATIONS MAY OCCUR		PRODUCT DESCRIPTION <b>NEMA ENCLOSURE 20 X 16 X 11 WEATHERPROOF 120VAC VENTED W/ HEATER AND FANS</b>
PROJECTION 	SIZE <b>A</b>	FSCM NO. <b>43321</b>	DWG. NO. <b>NB201611-1HF</b>
SCALE: NONE		CAD FILE: NB201611-1HF.SLDDRW	REV. <b>A</b>
SHEET 1 OF 1			