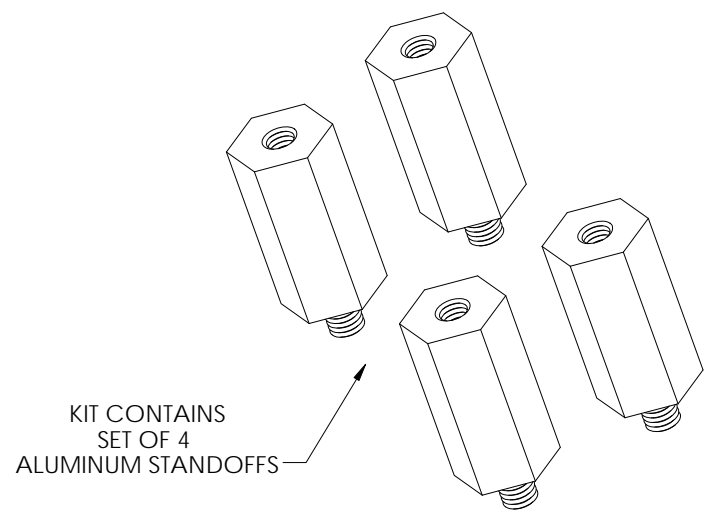
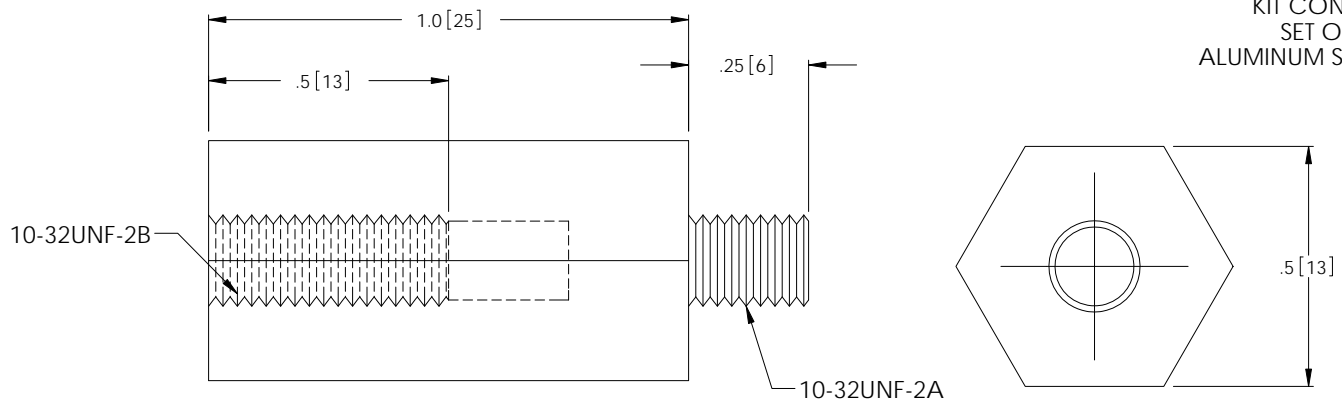


THE INFORMATION CONTAINED IN THIS DRAWING IS THE SOLE PROPERTY OF L-COM, INC. ANY REPRODUCTION IN PART OR WHOLE WITHOUT THE WRITTEN PERMISSION OF L-COM, INC. IS PROHIBITED.

REVISIONS			
REV	DESCRIPTION	DATE	APPROVED
A	INITIAL RELEASE	03/15/16	3/16/16



**NOTES:**

PACKAGING:  
COMPONENT SHALL BE PACKAGED AS A SET OF (4)  
IN ACCORDANCE WITH L-COM SPECIFICATION PKG-00012

- ALL DIMENSIONS FOR REFERENCE -

**REGULATORY COMPLIANCE:**  
CE2011/65/EU(RoHS DIRECTIVE)

UNLESS OTHERWISE SPECIFIED, DIMENSIONS ARE IN INCHES [mm]  DIMENSIONAL TOLERANCES: .X = ±.1 [2.54] .XX = ±.01 [.25] .XXX = ±.005 [.13]  ANGULAR TOLERANCES: ALL = ± 1°	APPROVALS	DATE		45 BEECHWOOD DRIVE NORTH ANDOVER, MA 01845	
	DRAWN BY B.PUCHASKI	03/15/16			
	CHECKED BY T.VADEN	03/15/16	CATEGORY ENCLOSURE		
	APPROVED BY P.PESA	03/15/16	PRODUCT DESCRIPTION HEX STANDOFF KIT FOR ENCLOSURE 10-32 X 1 INCH M/F 1/2 INCH HEX, ALUMINUM		
PROJECTION 	COLOR VARIATIONS MAY OCCUR	SIZE <b>A</b>	FSCM NO. <b>43321</b>	DWG. NO. <b>NBA-0003</b>	REV. <b>A</b>
		SCALE: NONE	CAD FILE: NBA-0003.SLDDRW		SHEET 1 OF 1