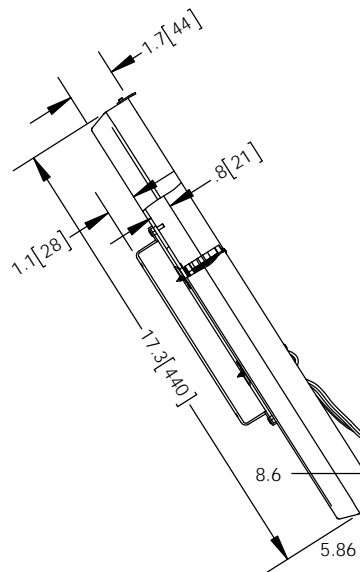
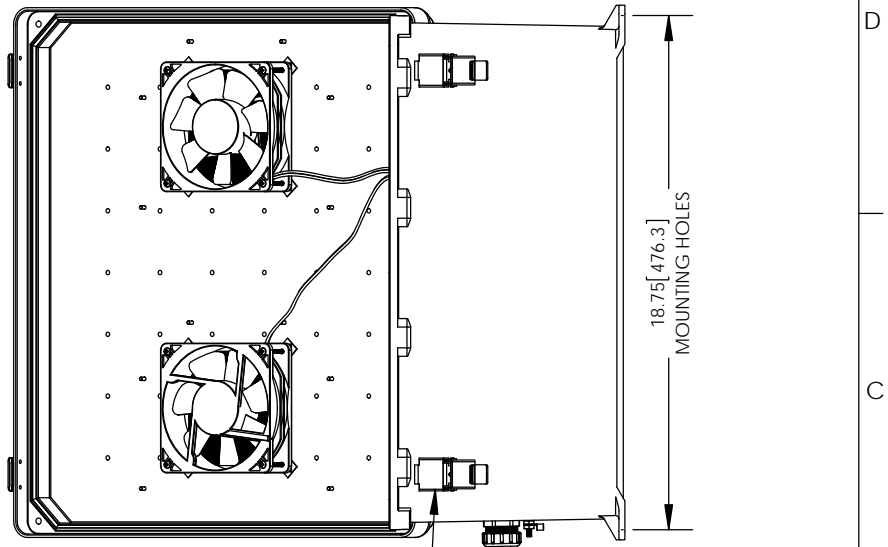
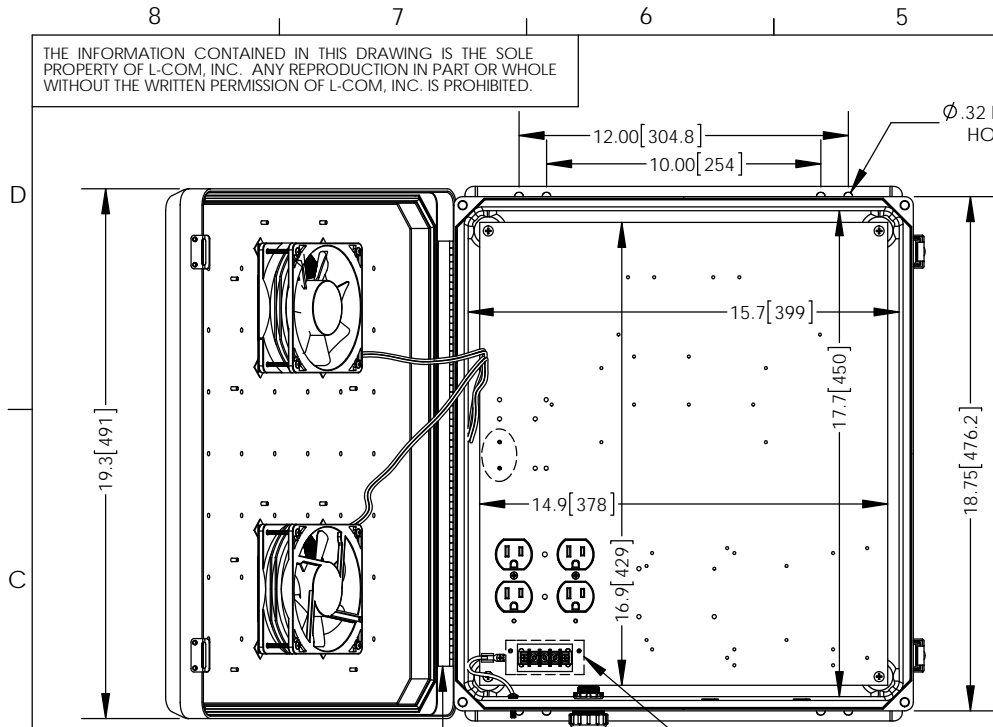


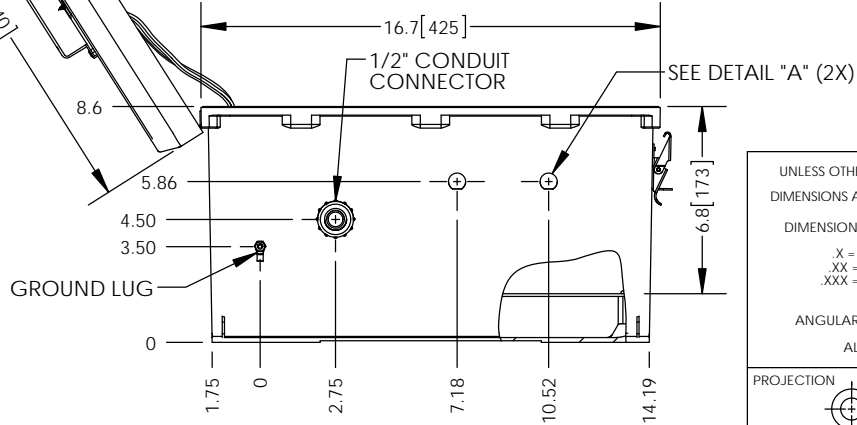
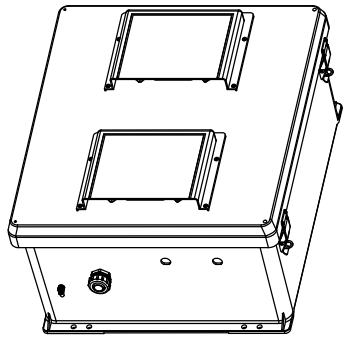
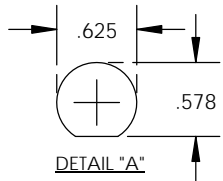
THE INFORMATION CONTAINED IN THIS DRAWING IS THE SOLE PROPERTY OF L-COM, INC. ANY REPRODUCTION IN PART OR WHOLE WITHOUT THE WRITTEN PERMISSION OF L-COM, INC. IS PROHIBITED.

REVISIONS			
REV	DESCRIPTION	DATE	APPROVED
A	INITIAL RELEASE	9/29/15	D.GRIFFIN



- NOTE:**
- ENCLOSURE MATERIAL-BLACK HOT MOLDED FIBERGLASS REINFORCED POLYESTER
 - NEMA RATED TYPE 3, 3R, 3S, 4, 4X, 12 AND 13 PRIOR TO MODIFICATIONS.
 - ICE 529 RATED IP 66 PRIOR TO MODIFICATION.
 - TEMPERATURE RANGE FROM -50 DEG C TO 150 DEG C.
 - SELF EXTINGUISHING AND HALOGEN FREE.
 - CABINETS ARE MAINTENANCE FREE AND CORROSION RESISTANT.
 - SHALL BE PACKAGED AS PER L-COM SPEC PKG-00070
 - ALL DIMENSIONS FOR REFERENCE ONLY.

REGULATORY COMPLIANCE:
CE2011/65/EU(RoHS DIRECTIVE)



UNLESS OTHERWISE SPECIFIED, DIMENSIONS ARE IN INCHES [mm] DIMENSIONAL TOLERANCES: .X = ±.1 [2.54] .XX = ±.01 [.25] .XXX = ±.005 [.13] ANGULAR TOLERANCES: ALL = ± 1°	APPROVALS	DATE		45 BEECHWOOD DRIVE NORTH ANDOVER, MA 01845	
	DRAWN BY B.PUCHASKI	09/14/15			
	CHECKED BY K.BURGNER	09/14/15	CATEGORY	ENCLOSURE	
	APPROVED BY P.PESA	09/14/15	PRODUCT DESCRIPTION	NEMA ENCLOSURE 18 X 16 X 8 WEATHERPROOF 120VAC W/FAN 85°, BLACK	
PROJECTION 	COLOR VARIATIONS MAY OCCUR	SIZE A	FSCM NO. 43321	DWG. NO. NBB181608-10F	REV. A
SCALE: NONE		CAD FILE: NBB181608-10F.SLDRW		SHEET 1 OF 1	