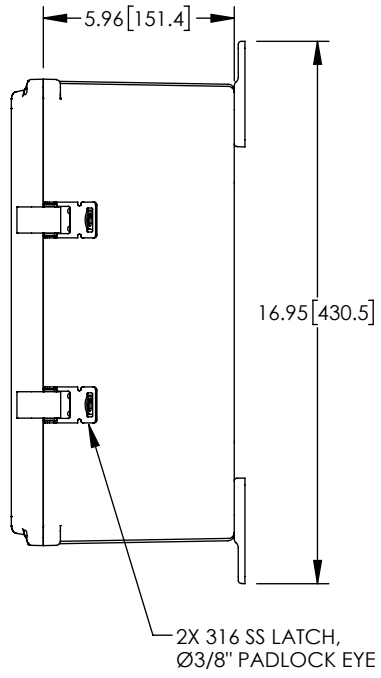
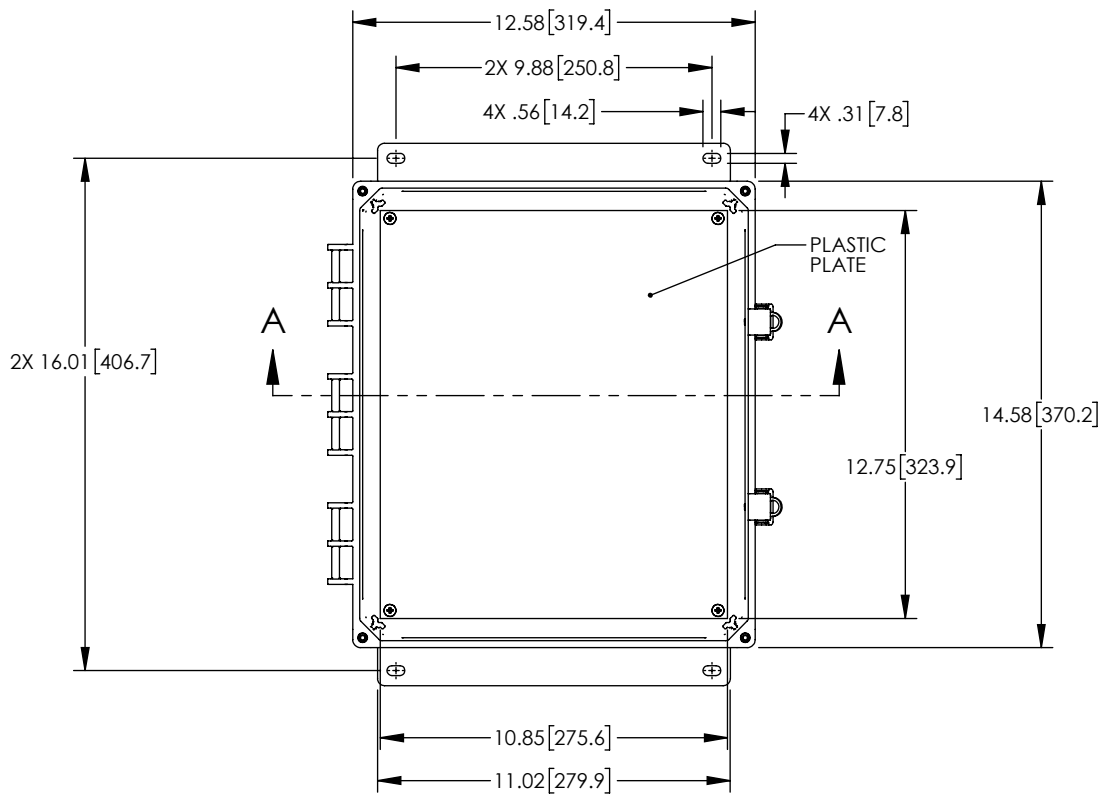
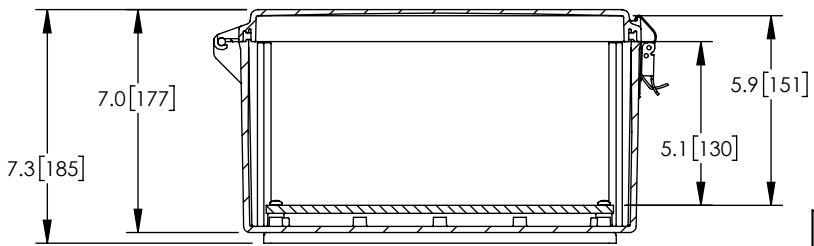


REVISIONS			
REV.	DESCRIPTION	DATE	APPROVED
A	INITIAL RELEASE	02/06/2020	MMARTINEZ



LID NOT SHOWN IN THIS VIEW FOR CLARITY



SECTION A-A

UNLESS OTHERWISE SPECIFIED LEADING DIMENSIONS ARE INCHES DIMENSIONS IN [ ] ARE MILLIMETERS

**TOLERANCES:**  
 X = ± .02 [ .51 ]      FRACTIONS ± 1/32  
 .XX = ± .02 [ .51 ]      ± 1/32  
 XXX = ± .005 [ .13 ]      ANGLES ± 1°

**CABLE LENGTH (L) TOLERANCES:**  
 L ≤ 12 [305] = +1 [25] / -0  
 12 [305] < L ≤ 60 [1524] = +2 [51] / -0  
 60 [1524] < L ≤ 120 [3048] = +4 [102] / -0  
 120 [3048] < L ≤ 300 [7620] = +6 [152] / -0  
 300 [7620] < L = +5%L / -0

ALL DIMENSIONS SHOWN ARE FOR REFERENCE ONLY.

**L-com**  
 an INFINITO brand

50 High Street, West Mill, 3rd Floor, Suite #30  
 North Andover, MA 01845 USA  
 Phone: 1.800.341.5266 | 1.978.682.6936  
 Fax: 1.978.689.9484  
 Website: www.L-com.com  
 E-mail: CustomerService@L-com.com

THIRD-ANGLE PROJECTION

THE INFORMATION AND DESIGN IN THIS DOCUMENT IS THE PROPERTY OF L-COM GLOBAL CONNECTIVITY. ALL RIGHTS RESERVED.

SHEET 1 OF 1

SCALE N/A

THESE COMMODITIES, TECHNOLOGY OR SOFTWARE WERE EXPORTED FROM THE UNITED STATES IN ACCORDANCE WITH THE EXPORT ADMINISTRATION REGULATIONS. DIVERSION CONTRARY TO U.S. LAW PROHIBITED.

SIZE	CAGE CODE	DRAWN BY	ITEM NO.	REV
A	43321	DZINN	NBBPC141206-KIT01	A