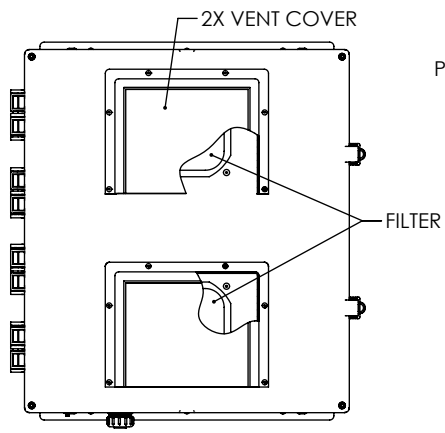
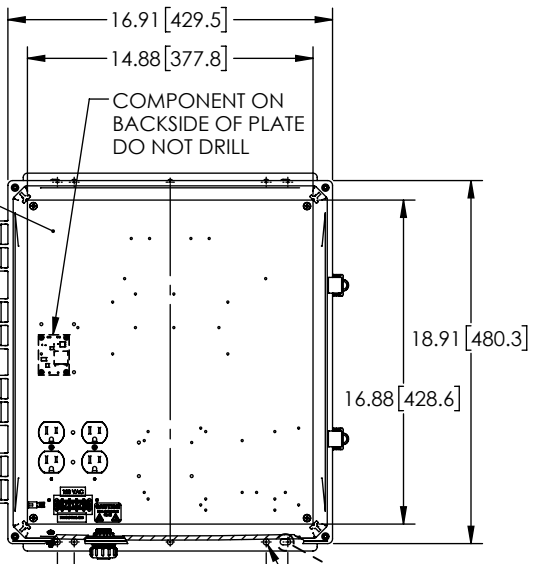


REVISIONS			
REV.	DESCRIPTION	DATE	APPROVED
A	INITIAL RELEASE	02/10/2020	MMARTINEZ

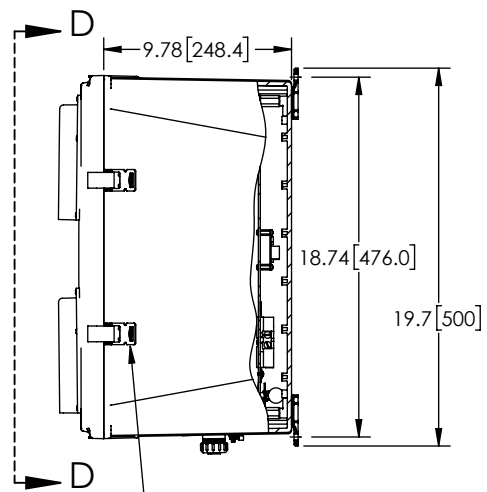


VIEW D-D

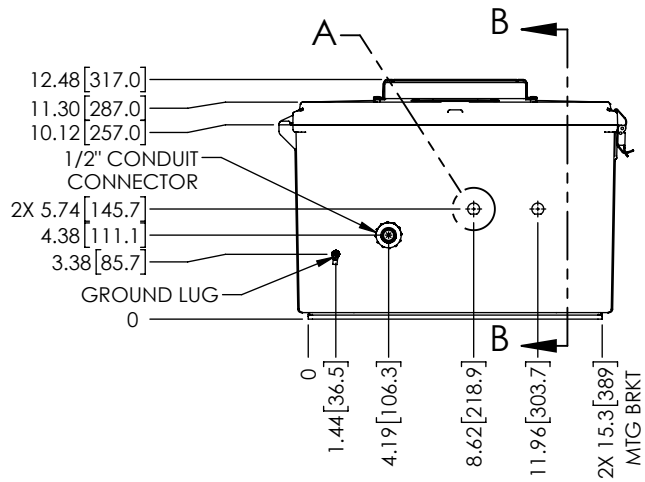
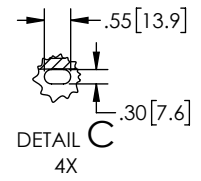
2X 12.00 [304.8] MTG SLOTS  
 2X 10.00 [254.0] MTG HOLES  
 4X Ø.31 [8.0]



LID NOT SHOWN IN THIS VIEW FOR CLARITY

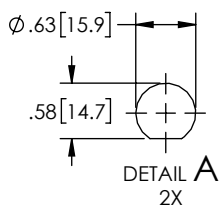


2X 316 SS LATCH  
 Ø3/8" PADLOCK EYE

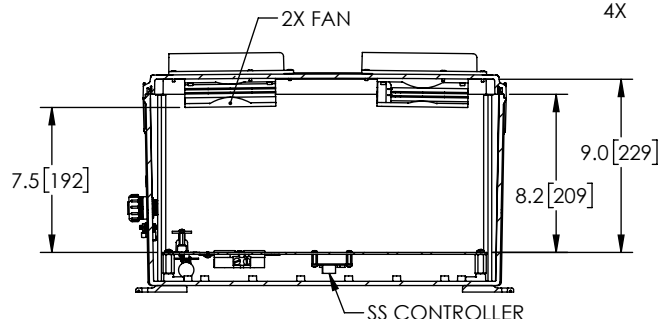


12.48 [317.0]  
 11.30 [287.0]  
 10.12 [257.0]  
 1/2" CONDUIT CONNECTOR  
 2X 5.74 [145.7]  
 4.38 [111.1]  
 3.38 [85.7]  
 GROUND LUG  
 0

1.44 [36.5]  
 4.19 [106.3]  
 8.62 [218.9]  
 11.96 [303.7]  
 2X 15.3 [389] MTG BRKT



DETAIL A  
 2X



SECTION B-B

UNLESS OTHERWISE SPECIFIED LEADING DIMENSIONS ARE INCHES DIMENSIONS IN [ ] ARE MILLIMETERS

TOLERANCES:  
 X = ± 2 [5.08] FRACTIONS ± 1/32  
 .XX = ± 0.02 [.51] ANGLES ± 1°  
 XXX = ± 0.005 [.13]

CABLE LENGTH (L) TOLERANCES:  
 L ≤ 12 [305] = +1 [25] / -0  
 12 [305] < L ≤ 60 [1524] = +2 [51] / -0  
 60 [1524] < L ≤ 120 [3048] = +4 [102] / -0  
 120 [3048] < L ≤ 300 [7620] = +6 [152] / -0  
 300 [7620] < L = +5%L / -0

ALL DIMENSIONS SHOWN ARE FOR REFERENCE ONLY.



50 High Street, West Mill, 3rd Floor, Suite #30  
 North Andover, MA 01845 USA.  
 Phone: 1.800.341.5266 | 1.978.682.6936  
 Fax: 1.978.689.9484  
 Website: www.L-com.com  
 E-mail: CustomerService@L-com.com



THE INFORMATION AND DESIGN IN THIS DOCUMENT IS THE PROPERTY OF L-COM GLOBAL CONNECTIVITY. ALL RIGHTS RESERVED.

SHEET 1 OF 1  
 SCALE N/A

SIZE	CAGE CODE	DRAWN BY	ITEM NO.	REV
A	43321	DZINN	NBBPC181610-10FS	A

THESE COMMODITIES, TECHNOLOGY OR SOFTWARE WERE EXPORTED FROM THE UNITED STATES IN ACCORDANCE WITH THE EXPORT ADMINISTRATION REGULATIONS. DIVERSION CONTRARY TO U.S. LAW PROHIBITED.