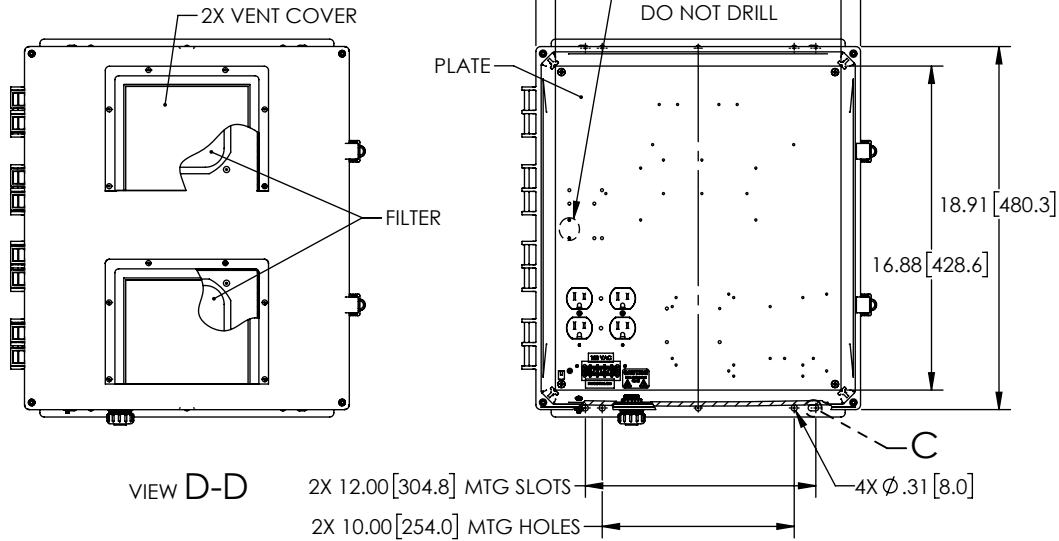


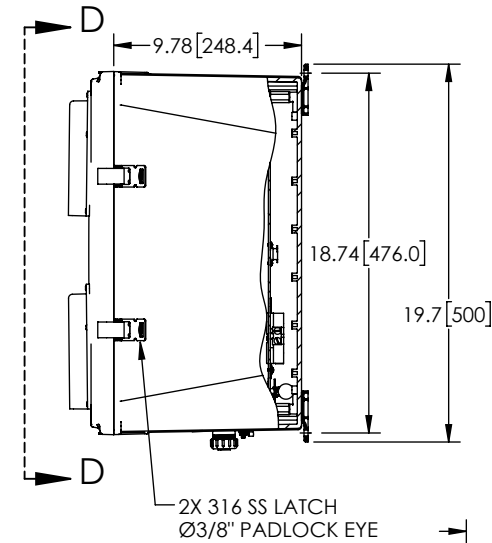
REVISIONS			
REV.	DESCRIPTION	DATE	APPROVED
A	INITIAL RELEASE	02/10/2020	MMARTINEZ



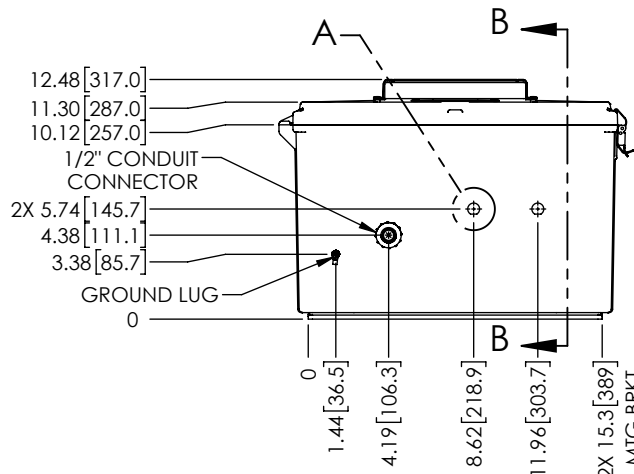
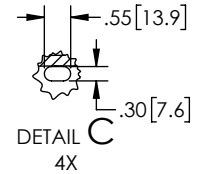
VIEW D-D

2X 12.00 [304.8] MTG SLOTS  
2X 10.00 [254.0] MTG HOLES  
4X Ø.31 [8.0]

LID NOT SHOWN IN THIS VIEW FOR CLARITY

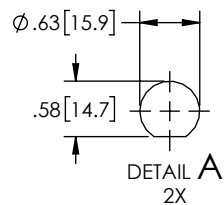


2X 316 SS LATCH  
Ø3/8" PADLOCK EYE

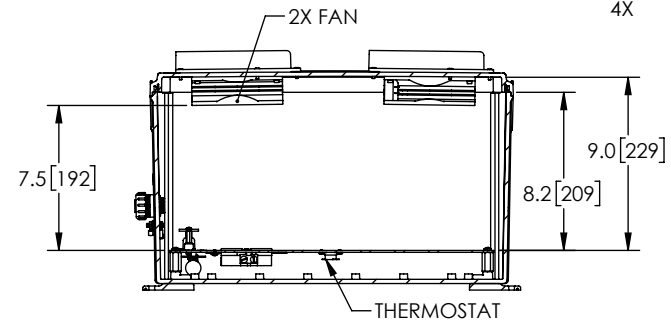


1/2" CONDUIT CONNECTOR  
2X 5.74 [145.7]  
4.38 [111.1]  
3.38 [85.7]  
GROUND LUG  
0

1.44 [36.5]  
4.19 [106.3]  
8.62 [218.9]  
11.96 [303.7]  
2X 15.3 [389] MTG BRKT



DETAIL A  
2X



SECTION B-B

THESE COMMODITIES, TECHNOLOGY OR SOFTWARE WERE EXPORTED FROM THE UNITED STATES IN ACCORDANCE WITH THE EXPORT ADMINISTRATION REGULATIONS. DIVERSION CONTRARY TO U.S. LAW PROHIBITED.

UNLESS OTHERWISE SPECIFIED LEADING DIMENSIONS ARE INCHES DIMENSIONS IN [ ] ARE MILLIMETERS

TOLERANCES:  
X = ± 2 [5.08] FRACTIONS ± 1/32  
.XX = ± 0.02 [.51] ANGLES ± 1°  
XXX = ± 0.005 [.13]  
CABLE LENGTH (L) TOLERANCES:  
L ≤ 12 [305] = +1 [25] / -0  
12 [305] < L ≤ 60 [1524] = +2 [51] / -0  
60 [1524] < L ≤ 120 [3048] = +4 [102] / -0  
120 [3048] < L ≤ 300 [7620] = +6 [152] / -0  
300 [7620] < L = +5%L / -0

ALL DIMENSIONS SHOWN ARE FOR REFERENCE ONLY.

**L-com**  
an INFINIT<sup>®</sup> brand

50 High Street, West Mill, 3rd Floor, Suite #30  
North Andover, MA 01845 USA.  
Phone: 1.800.341.5266 | 1.978.682.6936  
Fax: 1.978.689.9484  
Website: www.L-com.com  
E-mail: CustomerService@L-com.com

THIRD-ANGLE PROJECTION

THE INFORMATION AND DESIGN IN THIS DOCUMENT IS THE PROPERTY OF L-COM GLOBAL CONNECTIVITY. ALL RIGHTS RESERVED.

SHEET 1 OF 1

SCALE N/A

SIZE	CAGE CODE	DRAWN BY	ITEM NO.	REV
A	43321	DZINN	NBBPC181610-10F	A