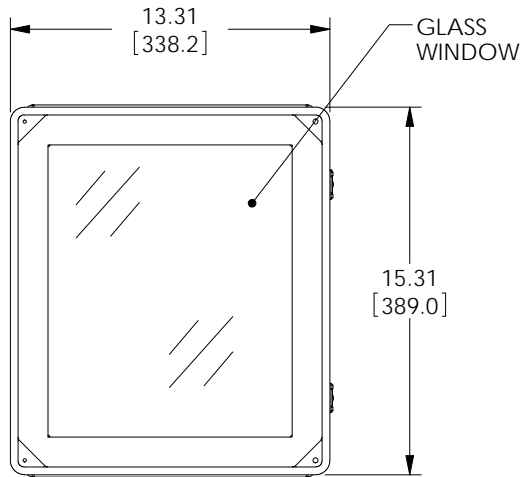


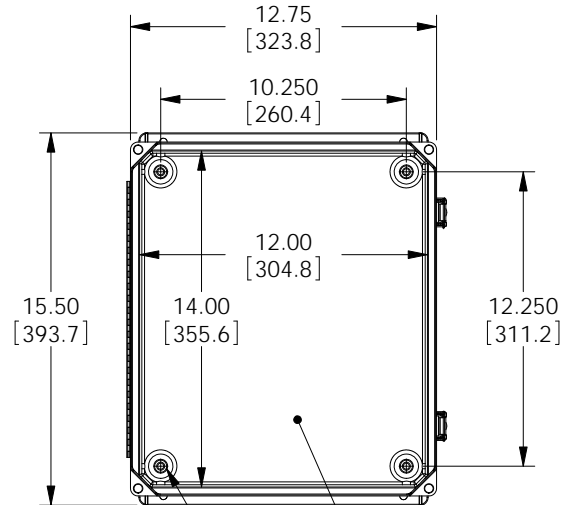
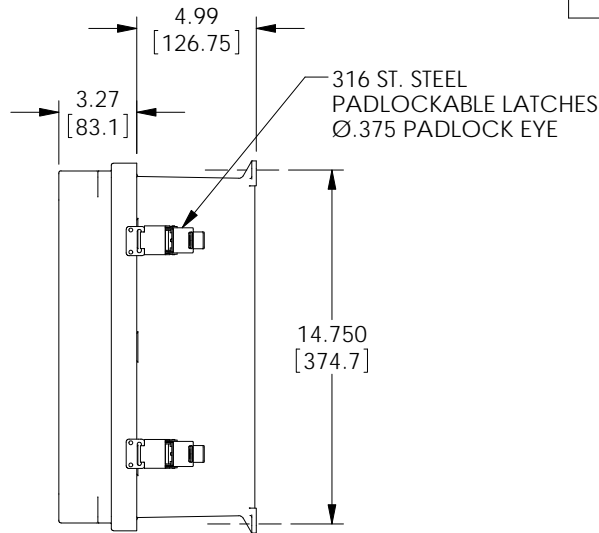
THE INFORMATION CONTAINED IN THIS DRAWING IS THE SOLE PROPERTY OF L-COM, INC. ANY REPRODUCTION IN PART OR WHOLE WITHOUT THE WRITTEN PERMISSION OF L-COM, INC. IS PROHIBITED.

REVISIONS			
REV	DESCRIPTION	DATE	APPROVED
A	INITIAL RELEASE	9/12/17	D.FRISIELLO

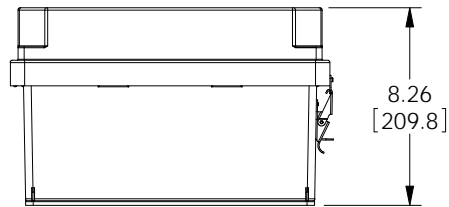
FRONT VIEW



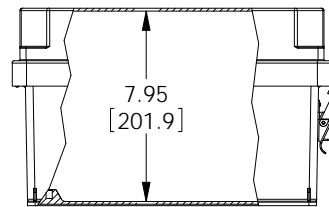
SIDE VIEW



FRONT VIEW (COVER REMOVED)

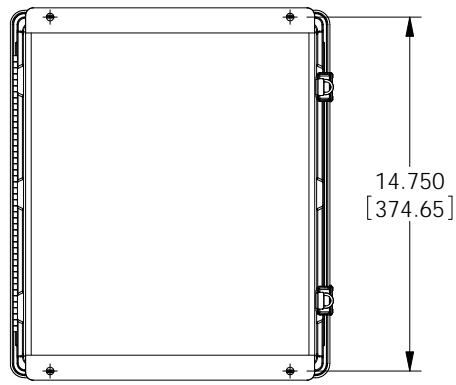


END VIEW



NOTES:

- ENCLOSURE MATERIAL- BLACK HOT MOLDED FIBERGLASS REINFORCED POLYESTER
- NEMA RATED TYPE 3, 3R, 3S, 4, 4X, 12 AND 13 PRIOR TO MODIFICATIONS.
- IEC 529 RATED IP 66 PRIOR TO MODIFICATION.
- TEMPERATURE RANGE FROM -50° C TO 150° C.
- SELF EXTINGUISHING AND HALOGEN FREE.
- CABINETS ARE MAINTENANCE FREE AND CORROSION RESISTANT.
- SHALL BE PACKAGED AS PER L-COM SPEC PKG-00070



BOTTOM VIEW

REGULATORY COMPLIANCE:
CE2011/65/EU(RoHS DIRECTIVE)

UNLESS OTHERWISE SPECIFIED, DIMENSIONS ARE IN INCHES [mm] DIMENSIONAL TOLERANCES: .X = ±.1 [2.54] .XX = ±.01 [.25] .XXX = ±.005 [.13] ANGULAR TOLERANCES: ALL = ± 1°	APPROVALS	DATE	50 HIGH STREET NORTH ANDOVER, MA 01845		
	DRAWN BY D.FRISIELLO	9/12/17			CATEGORY
	CHECKED BY D.GUITADAURO	9/12/17	ENCLOSURES		
	APPROVED BY M.MARTINEZ	9/12/17	PRODUCT DESCRIPTION FRP 14x12x7" WNDW ENCL BLK		
PROJECTION 	COLOR VARIATIONS MAY OCCUR	SIZE A	FSCM NO. 43321	DWG. NO. NBBW141207	REV. A
		SCALE: NONE	CAD FILE: NBBW141207.SLDDRW		SHEET 1 OF 1