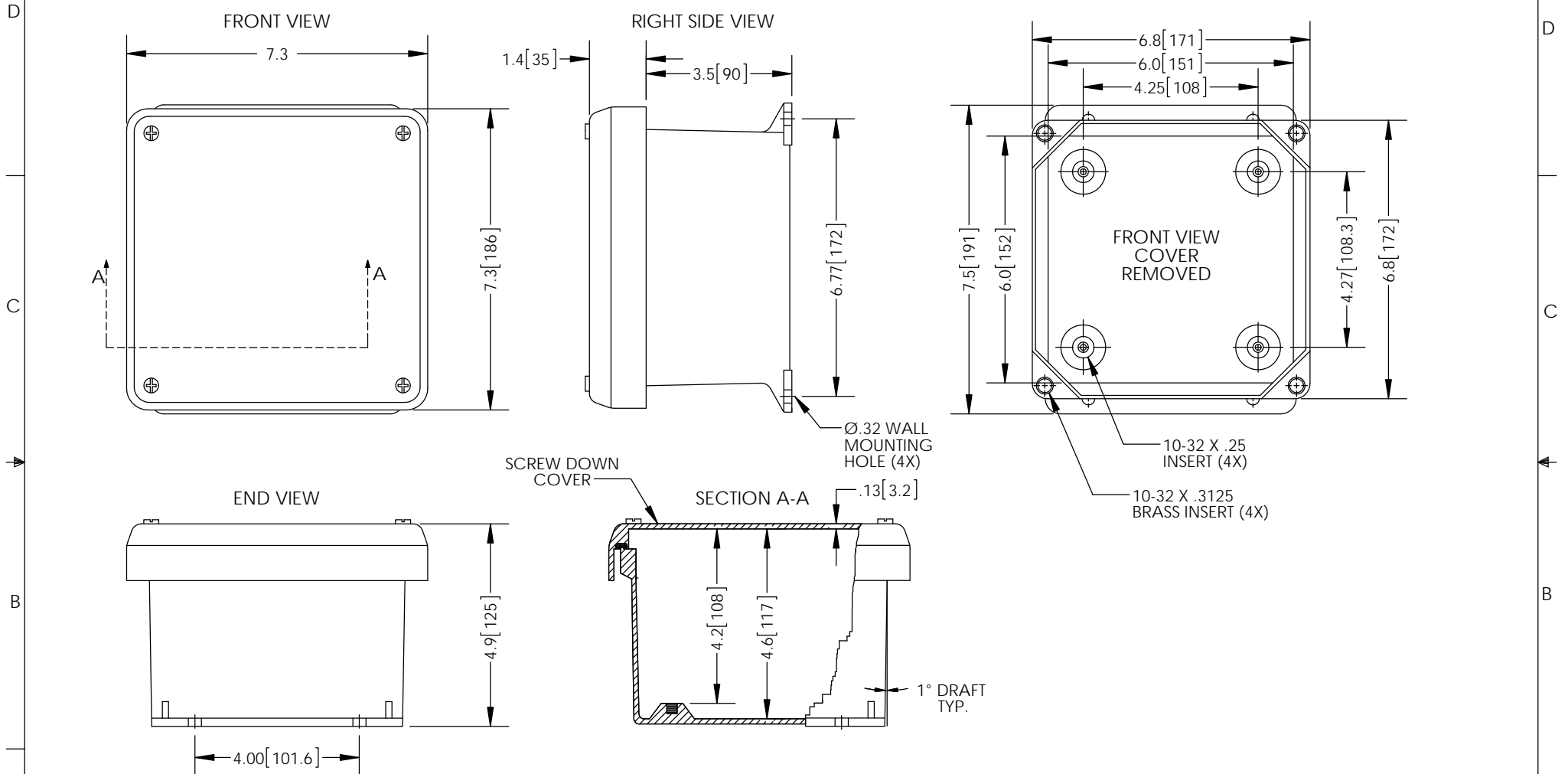


THE INFORMATION CONTAINED IN THIS DRAWING IS THE SOLE PROPERTY OF L-COM, INC. ANY REPRODUCTION IN PART OR WHOLE WITHOUT THE WRITTEN PERMISSION OF L-COM, INC. IS PROHIBITED.

REVISIONS			
REV	DESCRIPTION	DATE	APPROVED
A	INITIAL RELEASE	11/30/12	D.GRIFFIN



- NOTE:
- ENCLOSURE MATERIAL-GRAY (RAL7035) HOT MOLDED FIBERGLASS REINFORCED POLYESTER
  - NEMA RATED TYPE 3, 3R, 3S, 4, 4X, 12 AND 13 PRIOR TO MODIFICATIONS.
  - IEC 529 RATED IP 66 PRIOR TO MODIFICATION.
  - TEMPERATURE RANGE FROM -50 DEG C TO 150 DEG C.
  - SELF EXTINGUISHING AND HALOGEN FREE.
  - CABINETS ARE MAINTENANCE FREE AND CORROSION RESISTANT.
  - SHALL BE PACKAGED AS PER L-COM SPEC PKG-00070
  - ALL DIMENSIONS FOR REFERENCE ONLY

RoHS Compliant ✓

UNLESS OTHERWISE SPECIFIED, DIMENSIONS ARE IN INCHES [mm]	APPROVALS	DATE		45 BEECHWOOD DRIVE NORTH ANDOVER, MA 01845	
	DRAWN BY B.PUCHASKI	11/29/12			
	DIMENSIONAL TOLERANCES: .X = ±.1 .XX = ±.01 .XXX = ±.005	CHECKED BY P.PESA	11/29/12	CATEGORY ENCLOSURE	
	ANGULAR TOLERANCES: ALL = ± 1°	APPROVED BY P.PESA	11/29/12	PRODUCT DESCRIPTION FRP NEMA ENCLOSURE - 6 X 6 X 4 SCREW COVER	
PROJECTION 	COLOR VARIATIONS MAY OCCUR	SIZE <b>A</b>	FSCM NO. <b>43321</b>	DWG. NO. <b>NBC060604</b>	REV. <b>A</b>
		SCALE: NONE	CAD FILE: NBC060604.SLDDRW		SHEET 1 OF 1