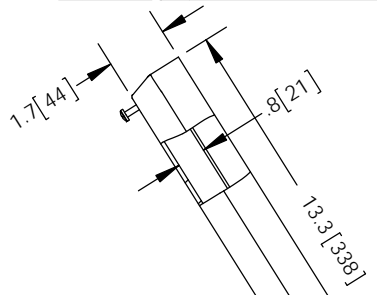
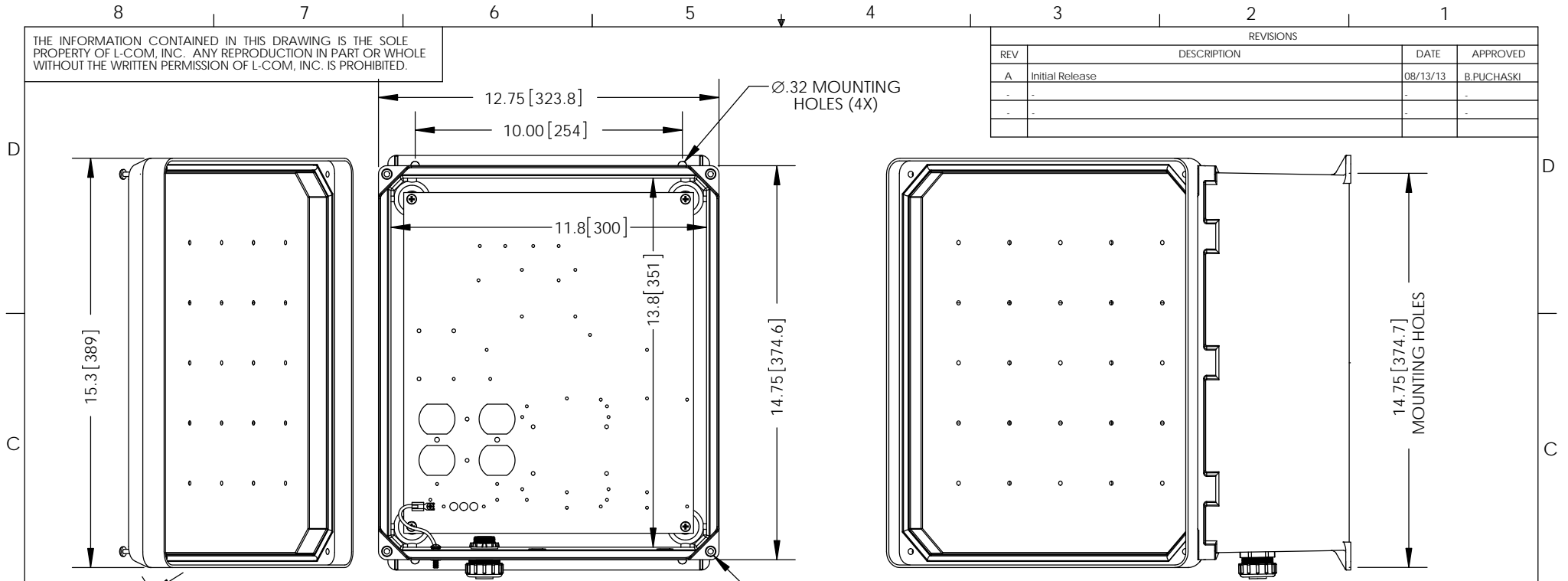


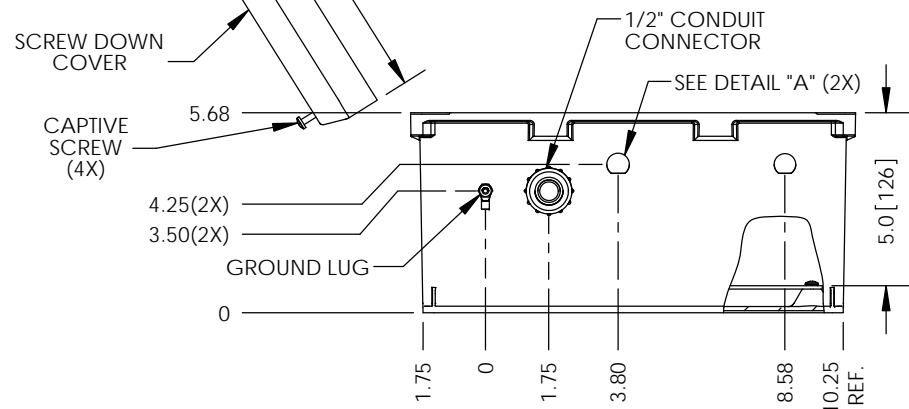
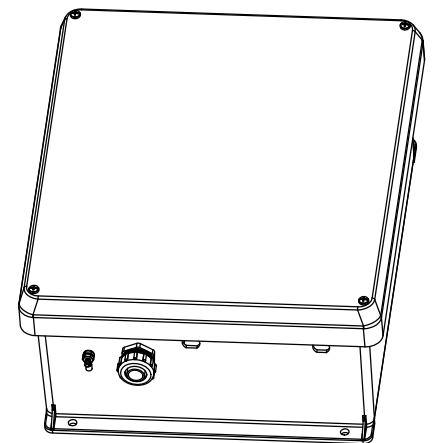
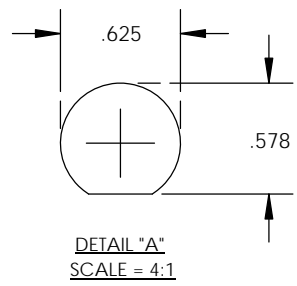
THE INFORMATION CONTAINED IN THIS DRAWING IS THE SOLE PROPERTY OF L-COM, INC. ANY REPRODUCTION IN PART OR WHOLE WITHOUT THE WRITTEN PERMISSION OF L-COM, INC. IS PROHIBITED.

REVISIONS			
REV	DESCRIPTION	DATE	APPROVED
A	Initial Release	08/13/13	B.PUCHASKI
-	-	-	-
-	-	-	-



NOTE:
 1- ENCLOSURE MATERIAL-GRAY (RAL7035) HOT MOLDED FIBERGLASS REINFORCED POLYESTER
 2- SELF EXTINGUISHING AND HALOGEN FREE.
 3- CABINETS ARE MAINTENANCE FREE AND CORROSION RESISTANT.
 4- SHALL BE PACKAGED AS PER L-COM SPEC PKG-00070
 5- ALL DIMENSIONS FOR REFERENCE ONLY

REGULATORY COMPLIANCE:
 RoHS, CE



UNLESS OTHERWISE SPECIFIED, DIMENSIONS ARE IN INCHES [mm] DIMENSIONAL TOLERANCES: .X = ±.1 [2.54] .XX = ±.01 [.25] .XXX = ±.005 [.13]	APPROVALS DRAWN BY B.PUCHASKI	DATE 08/13/13		45 BEECHWOOD DRIVE NORTH ANDOVER, MA 01845		
	CHECKED BY P.PESA	08/13/13			CATEGORY ENCLOSURE	
	ANGULAR TOLERANCES: ALL = ± 1°	APPROVED BY P.PESA	08/13/13	PRODUCT DESCRIPTION NEMA ENCLOSURE 14 X 12 X 6 WEATHERPROOF SCREW COVER W/DRILLED PLATE		
	PROJECTION 	CONFIGURATION DETAILS OF UNDIMENSIONED FEATURES MAY VARY	COLOR VARIATIONS MAY OCCUR	SIZE A	FSCM NO. 43321	DWG. NO. NBC141206-01

SCALE: NONE | CAD FILE: NBC141206-01.SLDRW | SHEET 1 OF 1