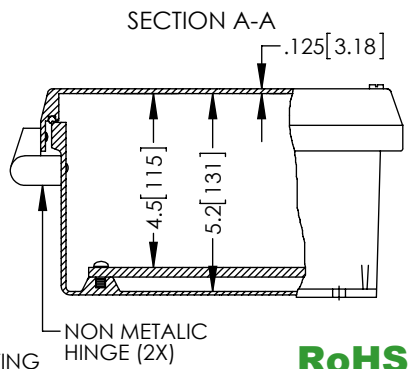
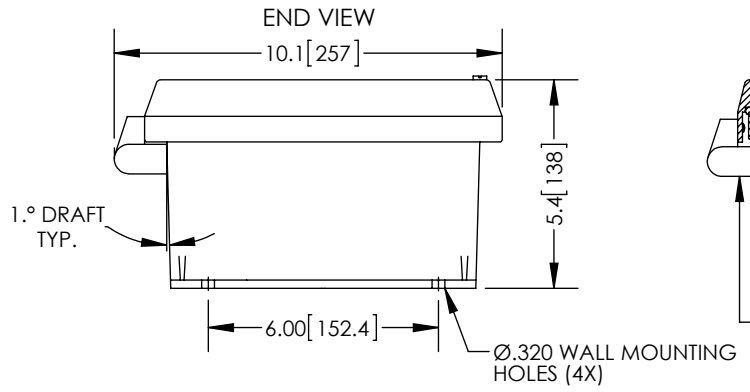
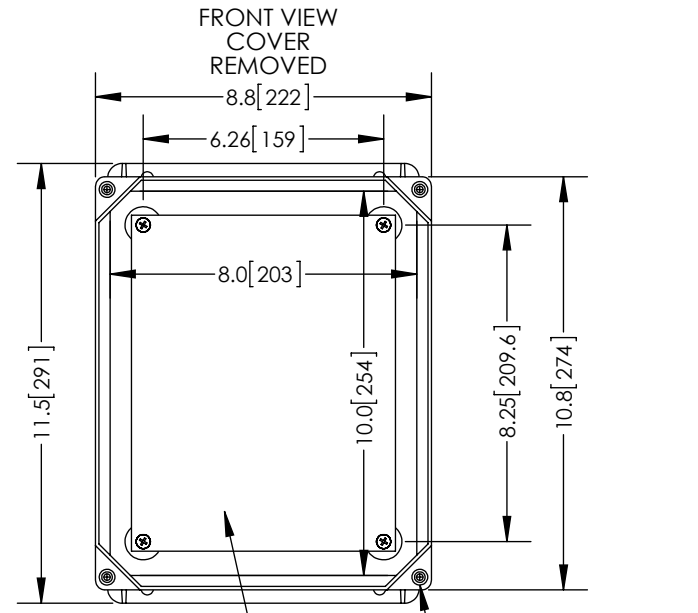
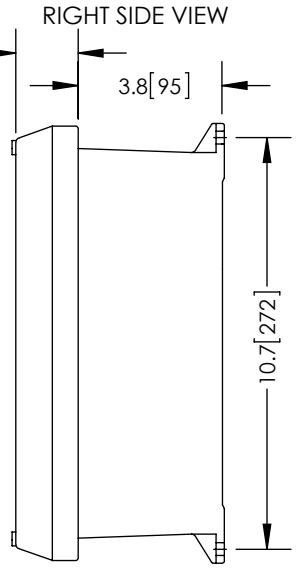
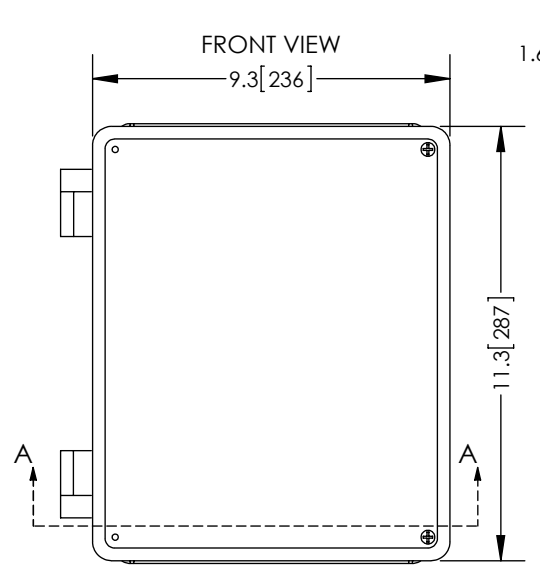


THE INFORMATION CONTAINED IN THIS DRAWING IS THE SOLE PROPERTY OF L-COM, INC. ANY REPRODUCTION IN PART OR WHOLE WITHOUT THE WRITTEN PERMISSION OF L-COM, INC. IS PROHIBITED.

REVISIONS			
REV	DESCRIPTION	DATE	APPROVED
A	INITIAL RELEASE	1/10/13	D.GRIFFIN



**RoHS Compliant** ✓

- NOTE:
- ENCLOSURE MATERIAL-GRAY (RAL7035) HOT MOLDED FIBERGLASS REINFORCED POLYESTER
  - NEMA RATED TYPE 3, 3R, 3S, 4, 4X, 12 AND 13 PRIOR TO MODIFICATIONS.
  - IEC 529 RATED IP 66 PRIOR TO MODIFICATION.
  - TEMPERATURE RANGE FROM -50 DEG C TO 150 DEG C.
  - SELF EXTINGUISHING AND HALOGEN FREE
  - ENCLOSURES ARE MAINTENANCE FREE AND CORROSION RESISTANT.
  - SHALL BE PACKAGED AS PER L-COM SPEC PKG-00070
  - ALL DIMENSIONS FOR REFERENCE ONLY

UNLESS OTHERWISE SPECIFIED, DIMENSIONS ARE IN INCHES [mm]  DIMENSIONAL TOLERANCES: .X = ±.1 .XX = ±.01 .XXX = ±.005  ANGULAR TOLERANCES: ALL = ± 1°  PROJECTION 	APPROVALS	DATE		45 BEECHWOOD DRIVE NORTH ANDOVER, MA 01845	
	DRAWN BY B.PUCHASKI	01/08/13			
	CHECKED BY P.PESA	01/08/13	CATEGORY	ENCLOSURE	
	APPROVED BY P.PESA	01/08/13	PRODUCT DESCRIPTION	FRP NEMA ENCLOSURE - 10 X 8 X 5 NM HINGE W/SCREW COVER AND PLASTIC MNT PLATE	
	CONFIGURATION DETAILS OF UNDIMENSIONED FEATURES MAY VARY	SIZE <b>A</b>	FSCM NO. <b>43321</b>	DWG. NO. <b>NBN100805-KIT01</b>	REV. <b>A</b>
	COLOR VARIATIONS MAY OCCUR	SCALE: NONE		CAD FILE: NBN100805-KIT01.SLDDRW	SHEET 1 OF 1