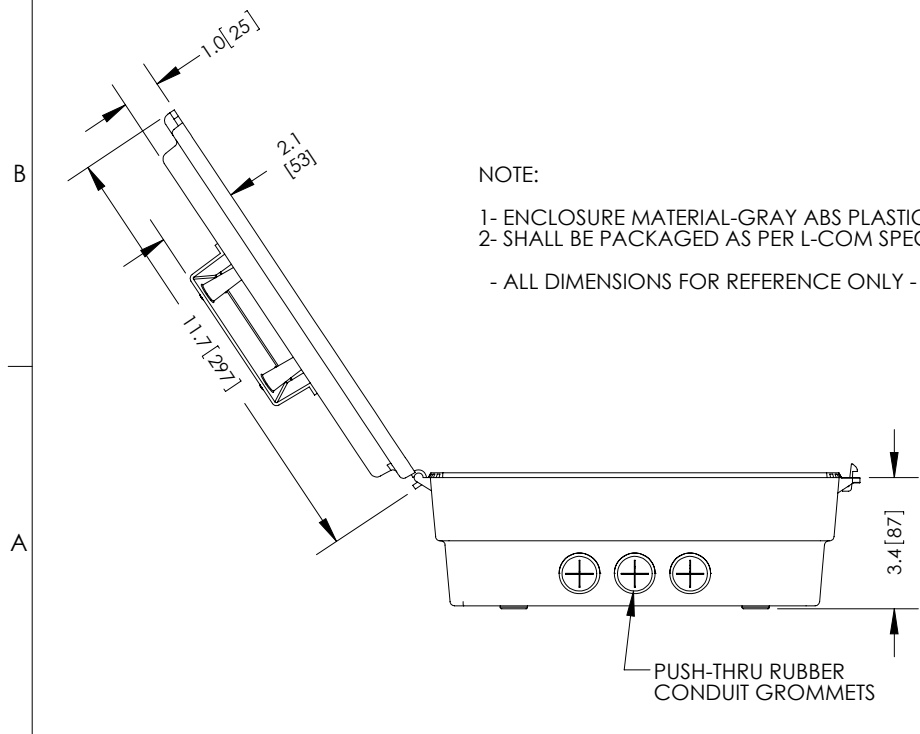
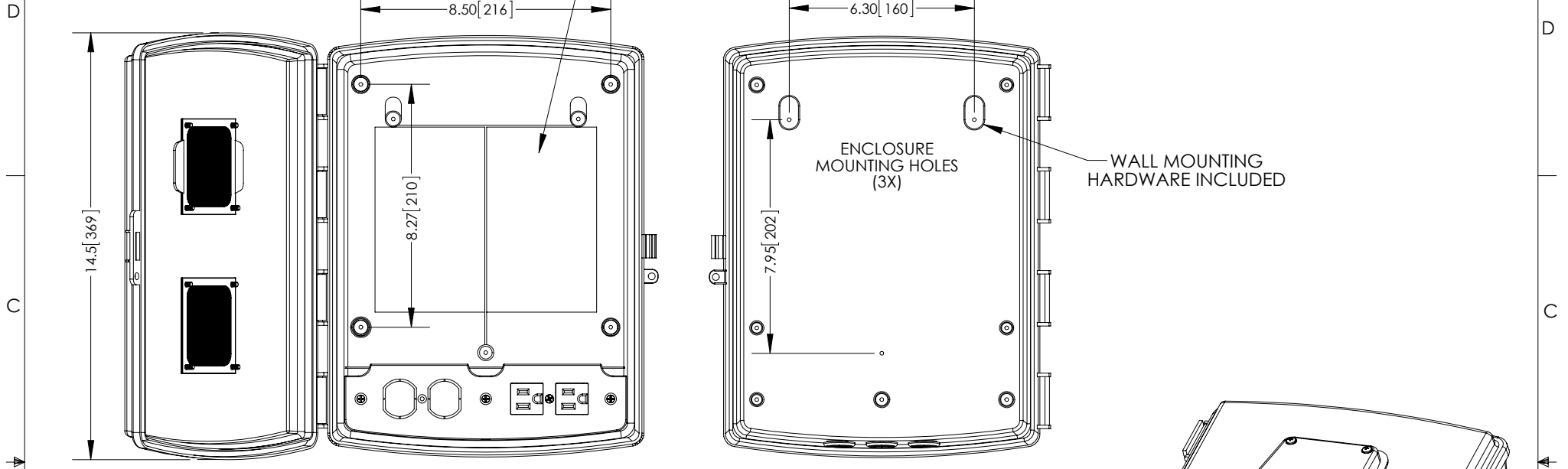


THE INFORMATION CONTAINED IN THIS DRAWING IS THE SOLE PROPERTY OF L-COM, INC. ANY REPRODUCTION IN PART OR WHOLE WITHOUT THE WRITTEN PERMISSION OF L-COM, INC. IS PROHIBITED.

REVISIONS			
REV	DESCRIPTION	DATE	APPROVED
A	INITIAL RELEASE	1/29/13	D.GRIFFIN
-	-	-	-
-	-	-	-



NOTE:
 1- ENCLOSURE MATERIAL-GRAY ABS PLASTIC
 2- SHALL BE PACKAGED AS PER L-COM SPEC PKG-00070
 - ALL DIMENSIONS FOR REFERENCE ONLY -

RoHS Compliant ✓

UNLESS OTHERWISE SPECIFIED, DIMENSIONS ARE IN INCHES [mm] DIMENSIONAL TOLERANCES: .X = ±.1 .XX = ±.01 .XXX = ±.005 ANGULAR TOLERANCES: ALL = ± 1° PROJECTION 	APPROVALS DRAWN BY B.PUCHASKI	DATE 01/28/13		45 BEECHWOOD DRIVE NORTH ANDOVER, MA 01845	
	CHECKED BY P.PESA	DATE 01/28/13			CATEGORY ENCLOSURE
	APPROVED BY P.PESA	DATE 01/28/13	PRODUCT DESCRIPTION NEMA ENCLOSURE 14 X 10 X 4 WEATHERPROOF 120VAC VENTED		
	CONFIGURATION DETAILS OF UNDIMENSIONED FEATURES MAY VARY	COLOR VARIATIONS MAY OCCUR	SIZE A	FSCM NO. 43321	DWG. NO. NBP141004-10VW
SCALE: NONE		CAD FILE: NBP141004-10VW.SLDDRW		SHEET 1 OF 1	