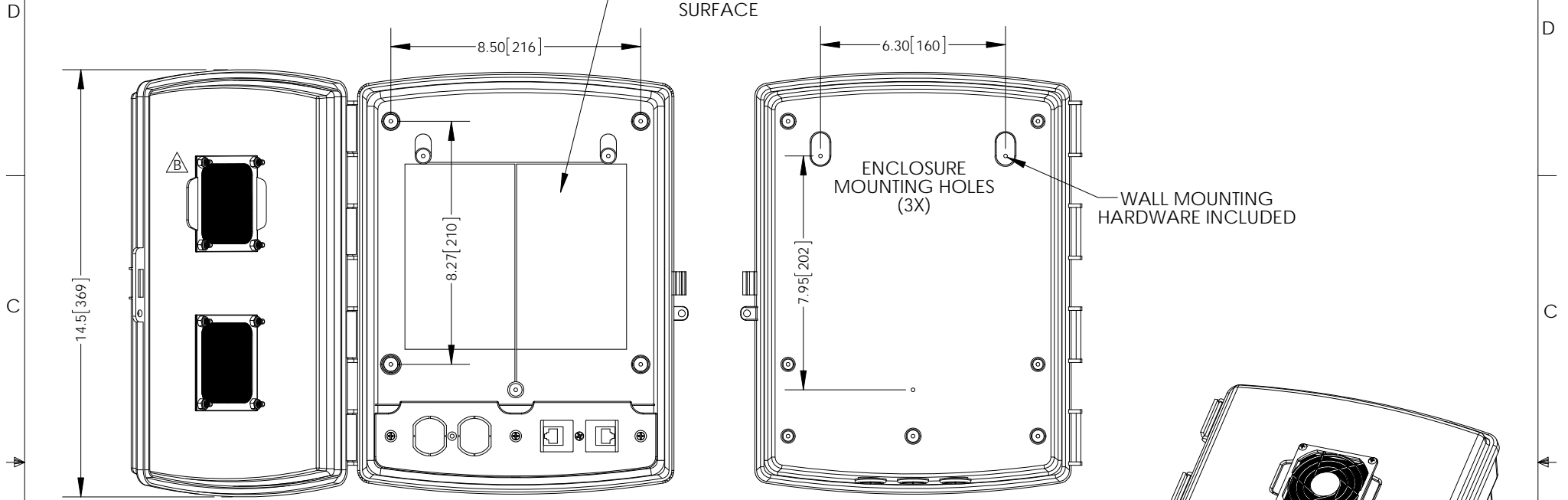
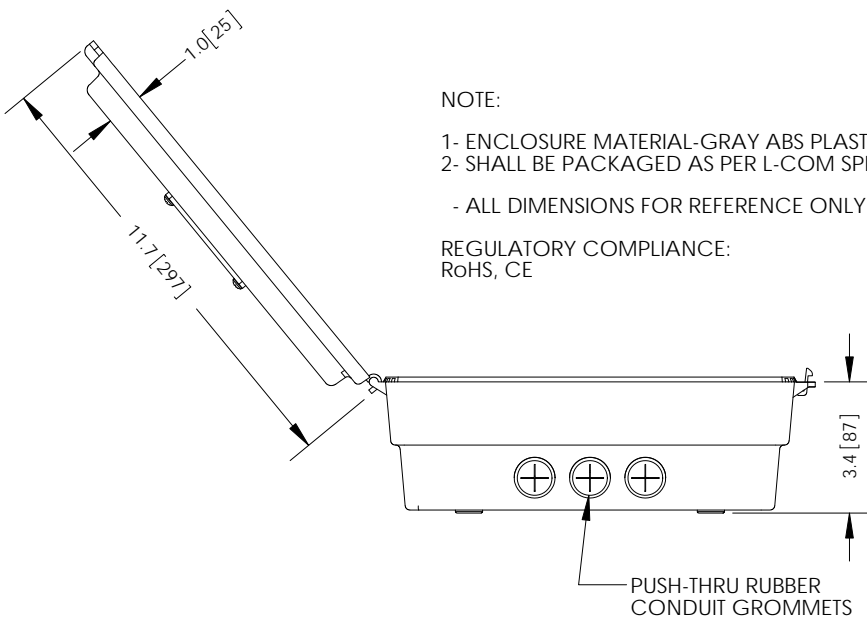
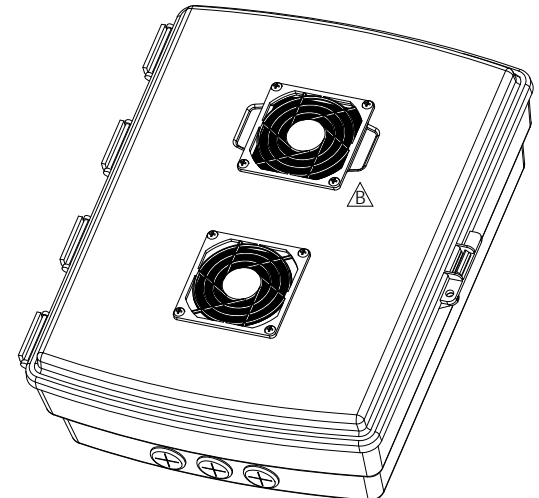


THE INFORMATION CONTAINED IN THIS DRAWING IS THE SOLE PROPERTY OF L-COM, INC. ANY REPRODUCTION IN PART OR WHOLE WITHOUT THE WRITTEN PERMISSION OF L-COM, INC. IS PROHIBITED.

REVISIONS			
REV	DESCRIPTION	DATE	APPROVED
A	INITIAL RELEASE	08/22/12	D.GRIFFIN
B	ECN 6979 FAN SCREENS REVERSED, UPDATE DESCRIPTION AND RoHS NOTE	07/29/13	B.PUCHASKI
-	-	-	-



BACK OF ENCLOSURE



NOTE:
 1- ENCLOSURE MATERIAL-GRAY ABS PLASTIC
 2- SHALL BE PACKAGED AS PER L-COM SPEC PKG-00070
 - ALL DIMENSIONS FOR REFERENCE ONLY -
 REGULATORY COMPLIANCE:
 RoHS, CE

UNLESS OTHERWISE SPECIFIED, DIMENSIONS ARE IN INCHES [mm]	APPROVALS	DATE		45 BEECHWOOD DRIVE NORTH ANDOVER, MA 01845
	DRAWN BY D.FRISIELLO	08/22/12		
DIMENSIONAL TOLERANCES: .X = ±.1 .XX = ±.01 .XXX = ±.005	CHECKED BY T.VADEN	08/22/12	CATEGORY ENCLOSURE	
	APPROVED BY P.PESA	08/22/12	PRODUCT DESCRIPTION NEMA ENCLOSURE 14x10x4 INDOOR PoE VENTED	
ANGULAR TOLERANCES: ALL = ± 1°	CONFIGURATION DETAILS OF UNDIMENSIONED FEATURES MAY VARY		SIZE A	FSCM NO. 43321
PROJECTION 	COLOR VARIATIONS MAY OCCUR		DWG. NO. NBP141004-40V	REV. B
SCALE: NONE			CAD FILE: NBP141004-40V.SLDDRW	SHEET 1 OF 1