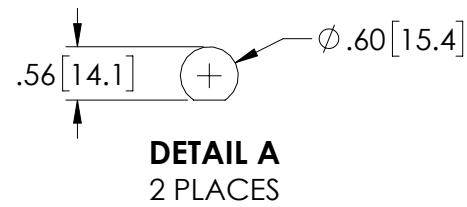
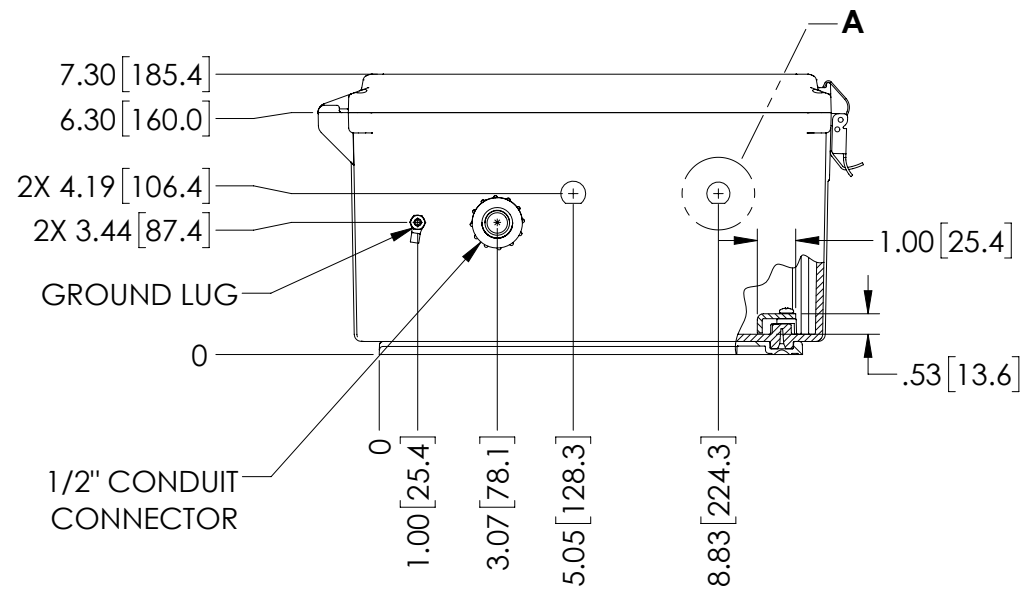
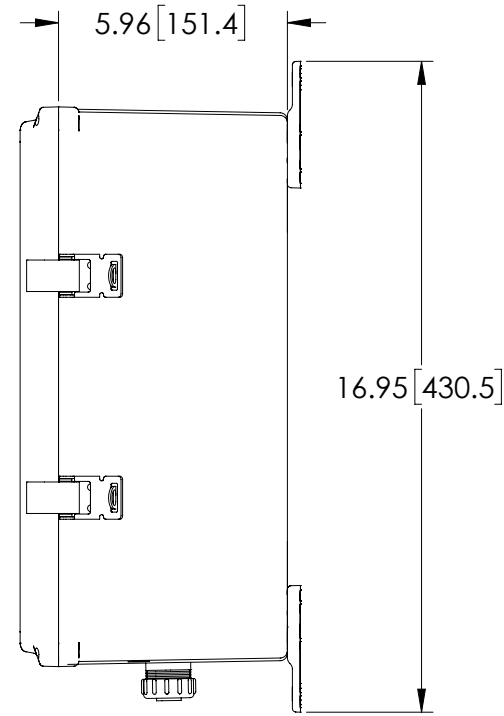
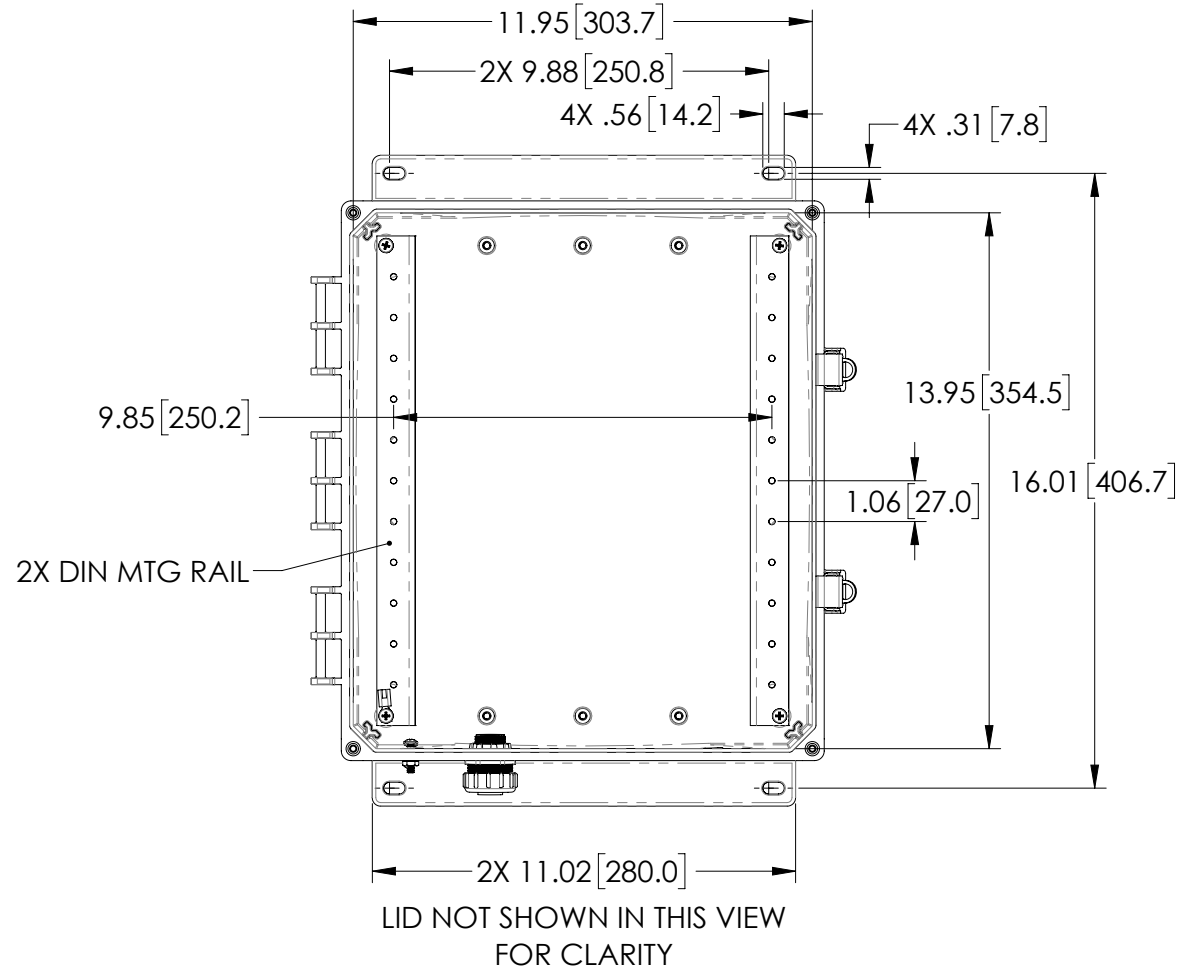


THE INFORMATION CONTAINED IN THIS DRAWING IS THE SOLE PROPERTY OF L-COM, INC. ANY REPRODUCTIONS IN PART OR WHOLE WITHOUT THE WRITTEN PERMISSION OF L-COM, INC. IS PROHIBITED.

REVISIONS			
REV	DESCRIPTION	DATE	CHANGED BY
A	INITIAL RELEASE	05/15/2019	MMARTINEZ



NOTES:

- ENCLOSURE MATERIAL-LIGHT GRAY (PANTONE 422C) HIGH-IMPACT, UV RESISTANT POLYCARBONATE.
- TEMPERATURE RANGE: -40°F TO 265°F
- CABINETS ARE MAINTENANCE FREE AND CORROSION RESISTANT.
- SHALL BE PACKAGED AS PER L-COM SPEC
- ALL DIMENSIONS FOR REFERENCE ONLY.

UNLESS OTHERWISE SPECIFIED, DIMENSIONS ARE IN INCHES [mm]	APPROVALS	DATE
	DRAWN BY DZINN	04/26/2019
	CHECKED BY DFRISIELLO	04/26/2019
	APPROVED BY MMARTINEZ	04/26/2019
DIMENSIONAL TOLERANCES: ..X = ±.1 [2.54] ..XX = ±.01 [.25] ..XXX = ±.005 [.13]	CONFIGURATION DETAILS OF UNDIMENSIONED FEATURES MAY VARY	
ANGULAR TOLERANCES: ALL = ± 1°	COLOR VARIATIONS MAY OCCUR	
PROJECTION		

L-com Global Connectivity		50 HIGH STREET NORTH ANDOVER, MA 01845	
CATEGORY		ENCLOSURE	
PRODUCT DESCRIPTION			
ENCL PC 14x12x06" w/DIN RAIL			
SIZE	FSCM NO.	DWG. NO.	REV.
B	43321	NBPC141206-000DR	A
SCALE: 1:5	CAD FILE: NBPC141206-000DR.SLDDRW	SHEET 1 OF 1	