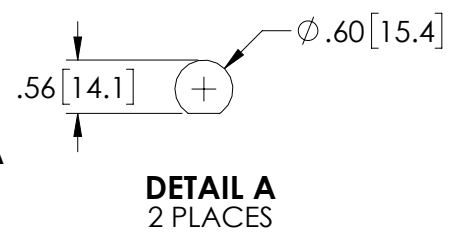
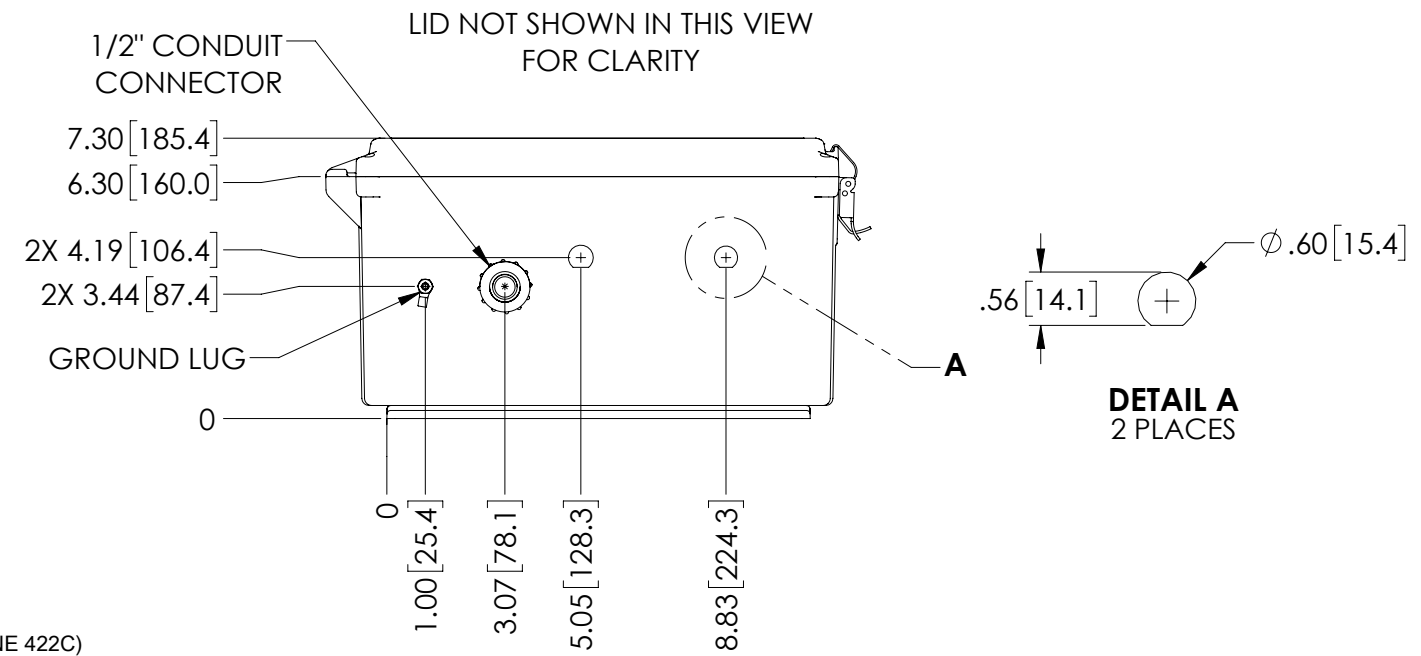
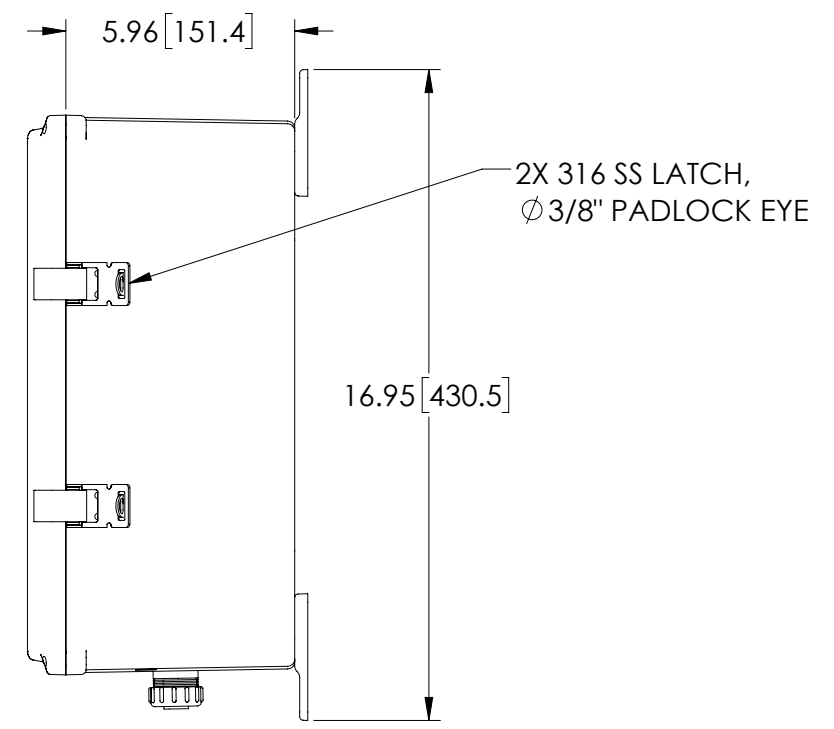
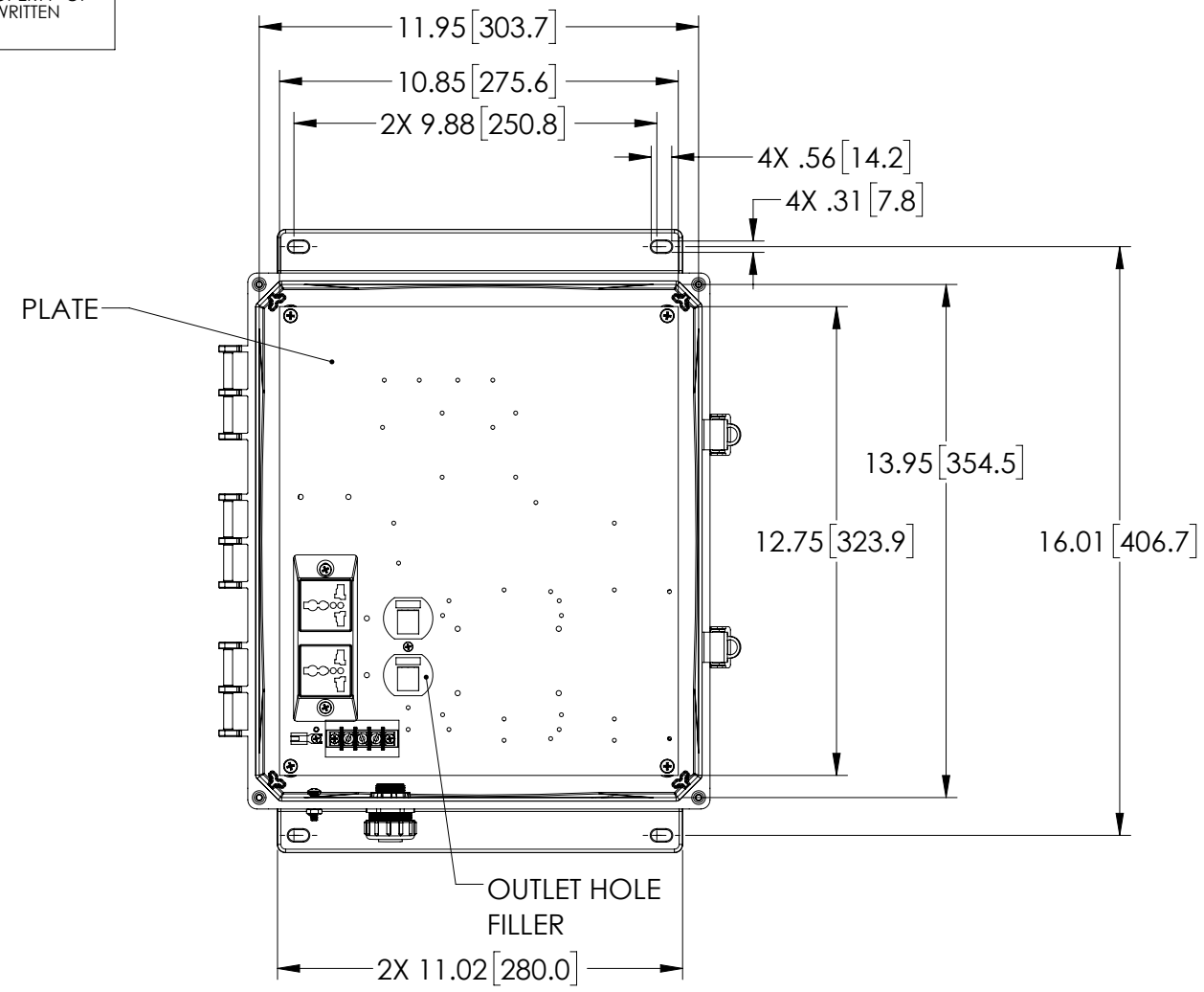


THE INFORMATION CONTAINED IN THIS DRAWING IS THE SOLE PROPERTY OF L-COM, INC. ANY REPRODUCTIONS IN PART OR WHOLE WITHOUT THE WRITTEN PERMISSION OF L-COM, INC. IS PROHIBITED.

REVISIONS			
REV	DESCRIPTION	DATE	CHANGED BY
A	INITIAL RELEASE	05/16/2019	MMARTINEZ



- NOTES:
- ENCLOSURE MATERIAL-LIGHT GRAY (PANTONE 422C) HIGH-IMPACT, UV RESISTANT POLYCARBONATE.
  - TEMPERATURE RANGE: -40°F TO 265°F
  - CABINETS ARE MAINTENANCE FREE AND CORROSION RESISTANT.
  - SHALL BE PACKAGED AS PER L-COM SPEC
  - ALL DIMENSIONS FOR REFERENCE ONLY.

UNLESS OTHERWISE SPECIFIED, DIMENSIONS ARE IN INCHES [mm]  DIMENSIONAL TOLERANCES: ..X = ±.1 [2.54] .XX = ±.01 [.25] .XXX = ±.005 [.13]  ANGULAR TOLERANCES: ALL = ± 1°	APPROVALS	DATE	 50 HIGH STREET NORTH ANDOVER, MA 01845	
	DRAWN BY DZINN	05/03/2019		
	CHECKED BY DFRISIELLO	05/03/2019		
	APPROVED BY MMARTINEZ	05/03/2019		
PROJECTION	CONFIGURATION DETAILS OF UNDIMENSIONED FEATURES MAY VARY COLOR VARIATIONS MAY OCCUR		CATEGORY ENCLOSURE	
PRODUCT DESCRIPTION ENCL PC 14x12x06" w/120-240VAC MOUNT PLATE	SIZE <b>B</b>	FSCM NO. 43321	DWG. NO. NBPC141206-E00	REV. A
SCALE: 1:5	CAD FILE: NBPC141206-E00.SLDDRW	SHEET 1 OF 1		