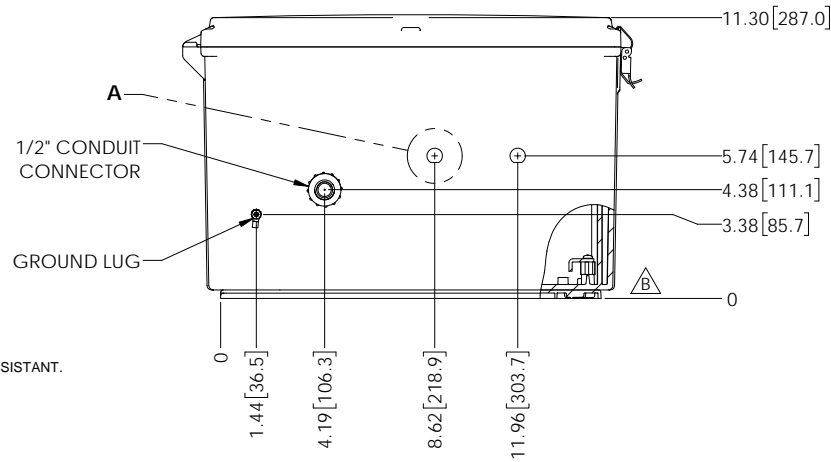
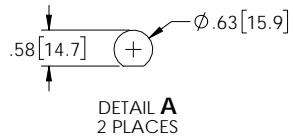
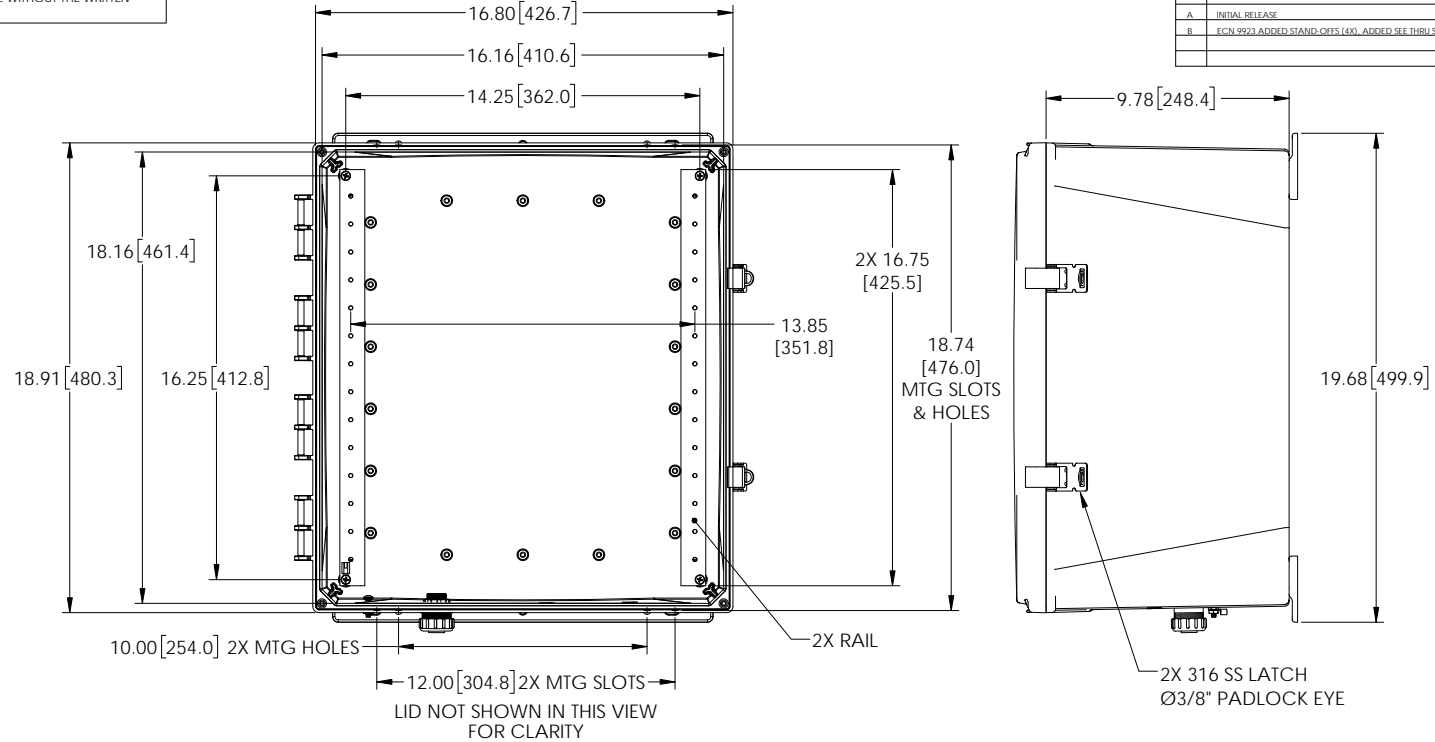


THE INFORMATION CONTAINED IN THIS DRAWING IS THE SOLE PROPERTY OF L-COM, INC. ANY REPRODUCTIONS IN PART OR WHOLE WITHOUT THE WRITTEN PERMISSION OF L-COM, INC. IS PROHIBITED.

REVISIONS			
REV	DESCRIPTION	DATE	CHANGED BY
A	INITIAL RELEASE	05/15/2019	MMARTINEZ
B	ECN 9923 ADDED STAND-OFFS (4X), ADDED SEE THRU SECTION FOR CLARITY	06/21/2019	BPUCHASKI

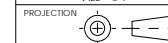


NOTES:

- ENCLOSURE MATERIAL-LIGHT GRAY (PANTONE 422C) HIGH-IMPACT, UV RESISTANT POLYCARBONATE.
- TEMPERATURE RANGE: -40°F TO 265°F
- CABINETS ARE MAINTENANCE FREE AND CORROSION RESISTANT.
- SHALL BE PACKAGED AS PER L-COM SPEC
- ALL DIMENSIONS FOR REFERENCE ONLY.

UNLESS OTHERWISE SPECIFIED, DIMENSIONS ARE IN INCHES (mm)
DIMENSIONAL TOLERANCES:
.X = ±.1 [2.54]
.XX = ±.01 [.25]
.XXX = ±.005 [.13]

ANGULAR TOLERANCES:
ALL = ± 1°



APPROVALS	DATE
DRAWN BY DJINN	05/07/2019
CHECKED BY DFRISIELLO	05/07/2019
APPROVED BY MMARTINEZ	05/07/2019

CONFIGURATION DETAILS OF UNDIMENSIONED FEATURES MAY VARY

COLOR VARIATIONS MAY OCCUR



CATEGORY
ENCLOSURE

PRODUCT DESCRIPTION
ENCL PC 18x16x10" w/DIN RAIL

SIZE
B

P/SCM NO.
43321

DWG. NO.
NBPC181610-000DR

SCALE: 1:5
CAD FILE: NBPC181610-000DR.SLDDRW

SHEET 1 OF 1