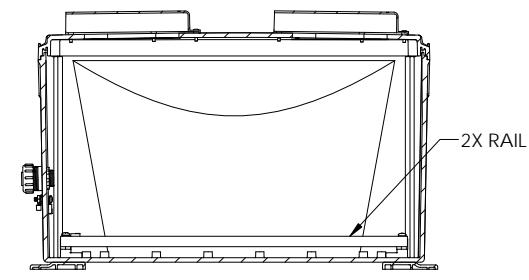
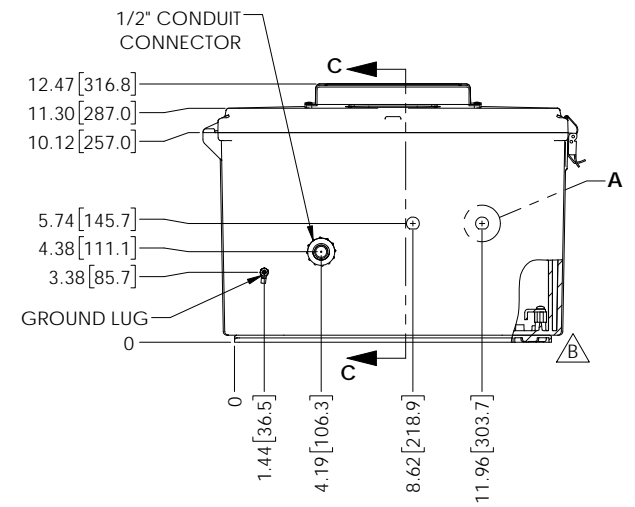
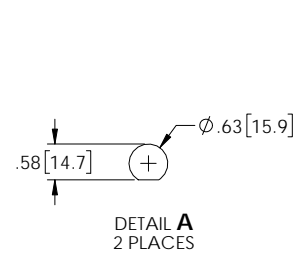
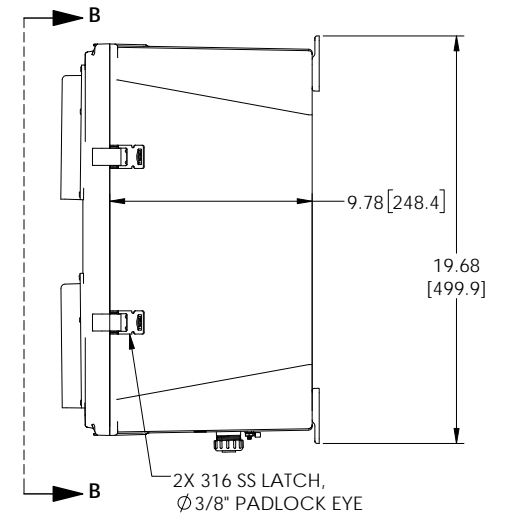
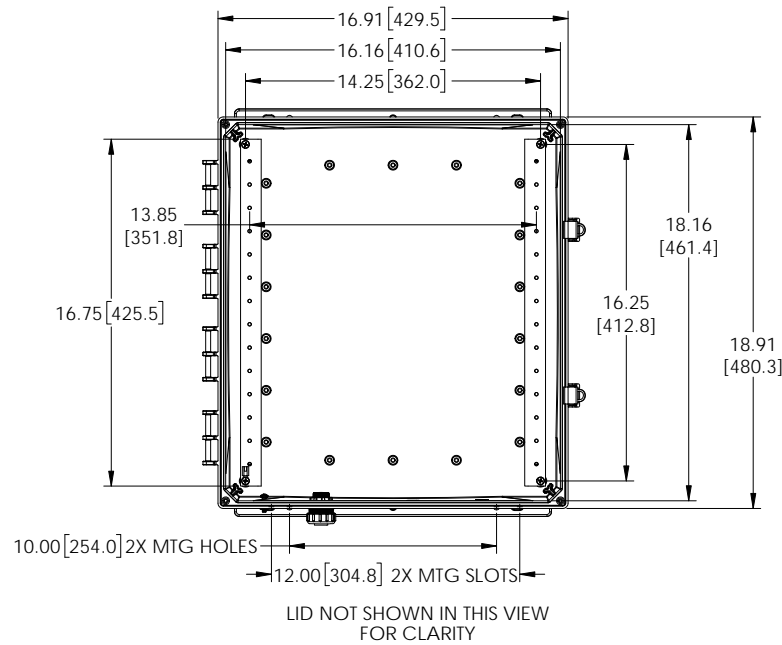
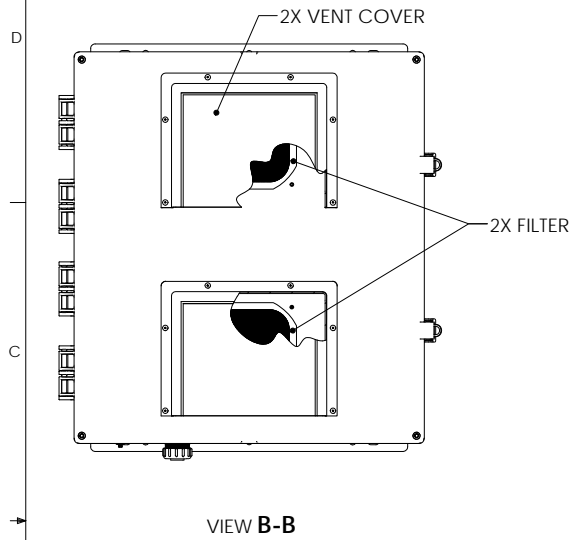


THE INFORMATION CONTAINED IN THIS DRAWING IS THE SOLE PROPERTY OF L-COM, INC. ANY REPRODUCTIONS IN PART OR WHOLE WITHOUT THE WRITTEN PERMISSION OF L-COM, INC. IS PROHIBITED.

REVISIONS			
REV	DESCRIPTION	DATE	CHANGED BY
A	INITIAL RELEASE	05/15/2019	MMARTINEZ
B	ECN 9923 ADDED STAND-OFFS (4X), ADDED SEE THRU SECTION FOR CLARITY	06/21/2019	BPUCIASKI



SECTION C-C

- NOTES:
- ENCLOSURE MATERIAL-LIGHT GRAY (PANTONE 422C) HIGH-IMPACT, UV RESISTANT POLYCARBONATE.
 - TEMPERATURE RANGE: -40°F TO 265°F
 - CABINETS ARE MAINTENANCE FREE AND CORROSION RESISTANT.
 - SHALL BE PACKAGED AS PER L-COM SPEC
 - ALL DIMENSIONS FOR REFERENCE ONLY.

UNLESS OTHERWISE SPECIFIED, DIMENSIONS ARE IN INCHES (MM)		APPROVALS	DATE		50 HIGH STREET NORTH ANDOVER, MA 01845	
DIMENSIONAL TOLERANCES: .X = ± 1 [2.54] .XX = ± 0.1 [2.54] .XXX = ± 0.05 [1.3]		DRAWN BY DINN	05/14/2019		CATEGORY	ENCLOSURE
ANGULAR TOLERANCES: ALL = ± 1°		CHECKED BY DPRSELLO	05/14/2019	PRODUCT DESCRIPTION ENCL PC 18x16x10" w/Vented Lid & DIN Rail Mount		
PROJECTION		APPROVED BY MMARTINEZ	05/14/2019	SIZE	FSCM NO. 43321	DWG. NO. NBPC181610-00VDR
		CONFIGURATION DETAILS OF UNDIMENSIONED FEATURES MAY VARY		REV.	B	
		COLOR VARIATIONS MAY OCCUR		SCALE: 1:6	CAD FILE: NBPC181610-00VDR.SLDDRW	SHEET 1 OF 1