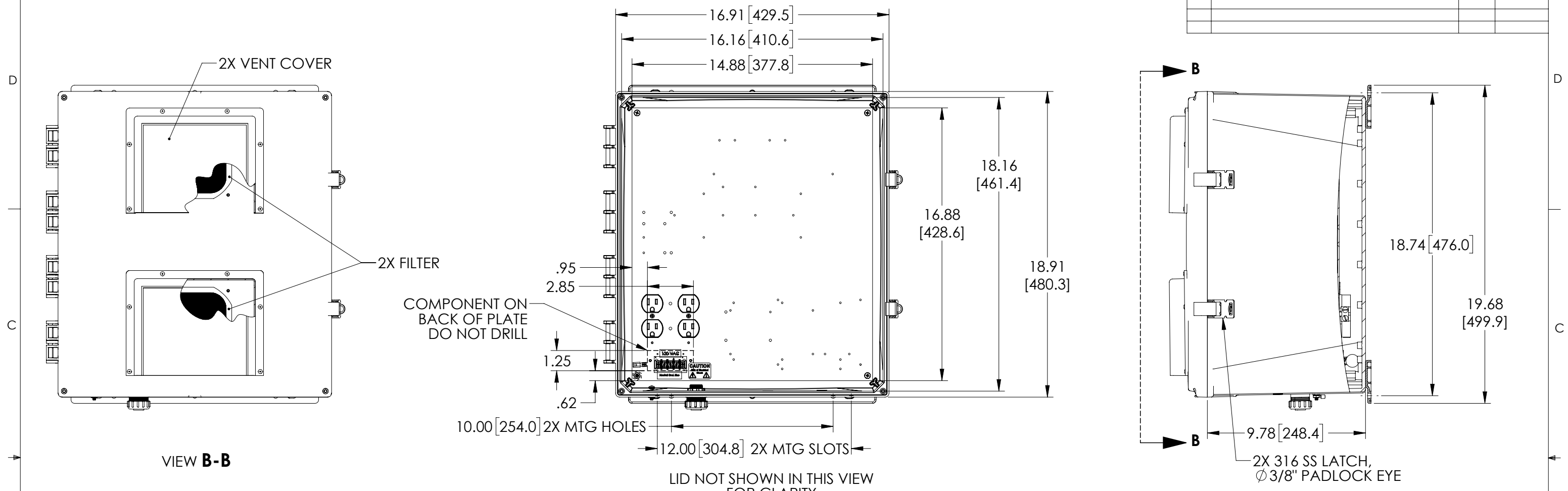
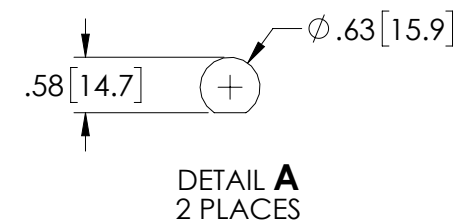


THE INFORMATION CONTAINED IN THIS DRAWING IS THE SOLE PROPERTY OF L-COM, INC. ANY REPRODUCTIONS IN PART OR WHOLE WITHOUT THE WRITTEN PERMISSION OF L-COM, INC. IS PROHIBITED.

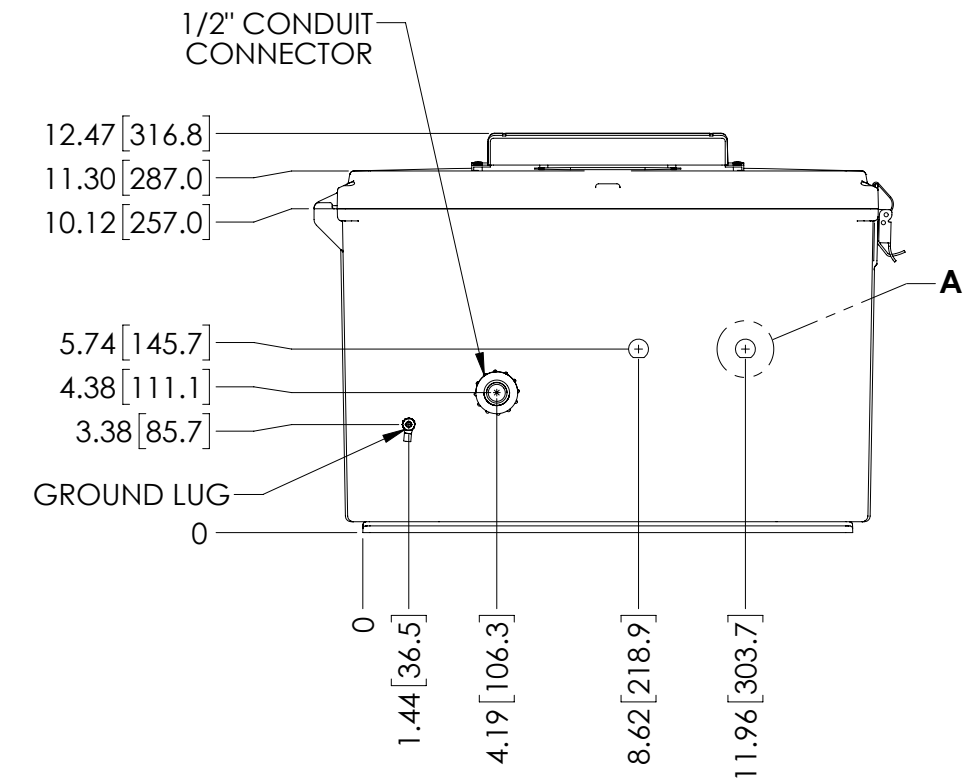
REVISIONS			
REV	DESCRIPTION	DATE	CHANGED BY
A	INITIAL RELEASE	05/16/19	MMARTINEZ



VIEW B-B



DETAIL A  
2 PLACES



- NOTES:
- ENCLOSURE MATERIAL-LIGHT GRAY (PANTONE 422C) HIGH-IMPACT, UV RESISTANT POLYCARBONATE.
  - TEMPERATURE RANGE: -40°F TO 265°F
  - CABINETS ARE MAINTENANCE FREE AND CORROSION RESISTANT.
  - SHALL BE PACKAGED AS PER L-COM SPEC
  - ALL DIMENSIONS FOR REFERENCE ONLY.

UNLESS OTHERWISE SPECIFIED, DIMENSIONS ARE IN INCHES [mm]

DIMENSIONAL TOLERANCES:  
 .X = ±.1 [2.54]  
 .XX = ±.01 [.25]  
 .XXX = ±.005 [.13]

ANGULAR TOLERANCES:  
 ALL = ± 1°

PROJECTION

APPROVALS	DATE
DRAWN BY DZINN	05/14/19
CHECKED BY DFRISIELLO	05/14/19
APPROVED BY MMARTINEZ	05/14/19

CONFIGURATION DETAILS OF UNDIMENSIONED FEATURES MAY VARY

COLOR VARIATIONS MAY OCCUR

**L-com** Global Connectivity 50 HIGH STREET NORTH ANDOVER, MA 01845

CATEGORY: ENCLOSURE

PRODUCT DESCRIPTION: ENCL PC 18x16x10" w/Vent Lid & 120VAC Mount Plate

SIZE	FSCM NO.	DWG. NO.	REV.
<b>B</b>	<b>43321</b>	NBPC181610-10V	<b>A</b>

SCALE: 1:6 CAD FILE: NBPC181610-10V.SLDDRW SHEET 1 OF 1