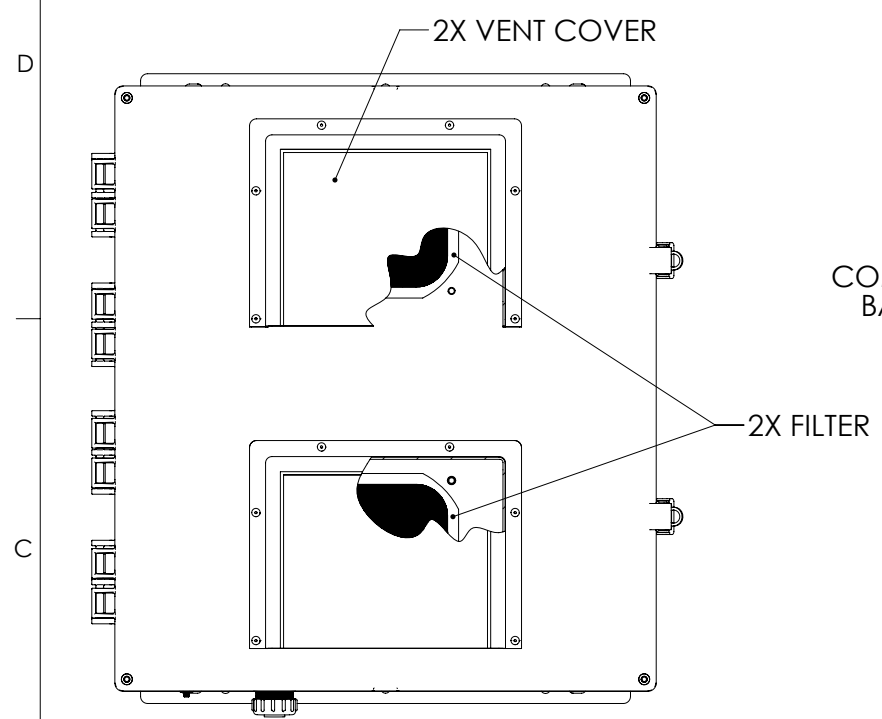
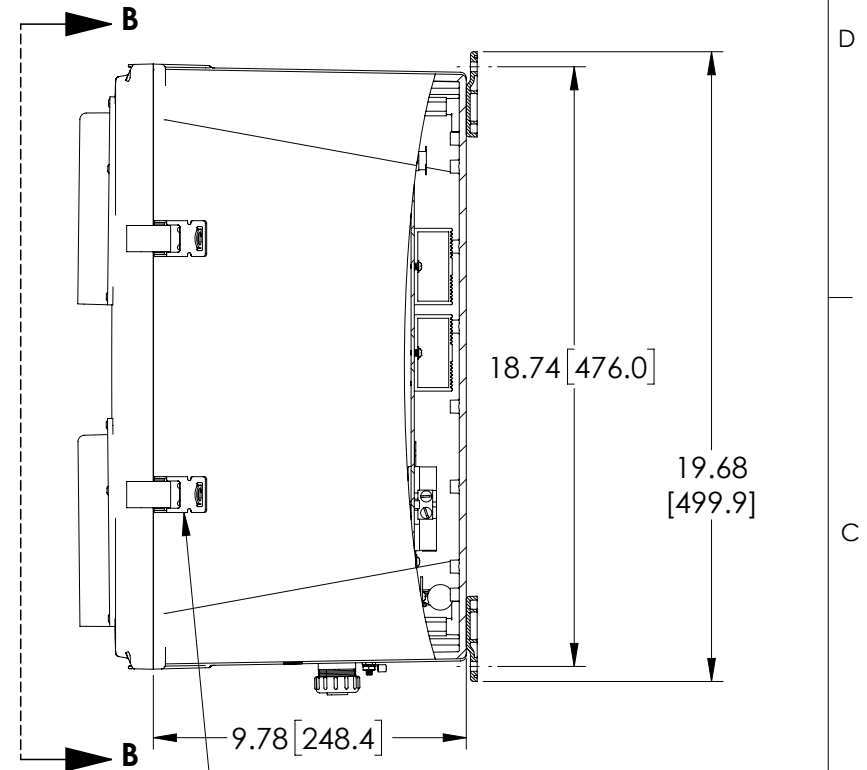
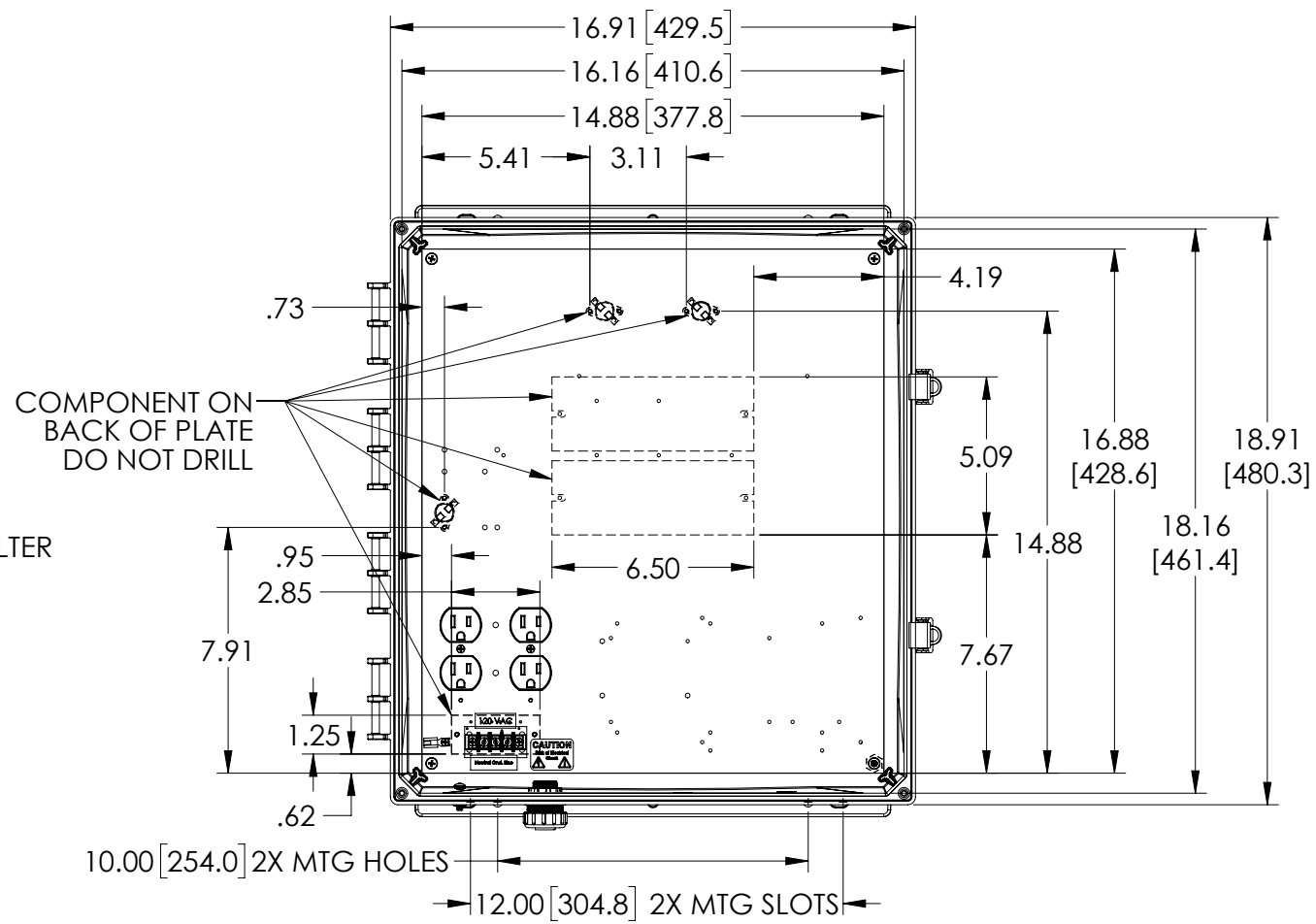


THE INFORMATION CONTAINED IN THIS DRAWING IS THE SOLE PROPERTY OF L-COM, INC. ANY REPRODUCTIONS IN PART OR WHOLE WITHOUT THE WRITTEN PERMISSION OF L-COM, INC. IS PROHIBITED.

REVISIONS			
REV	DESCRIPTION	DATE	CHANGED BY
A	INITIAL RELEASE	05/16/2019	MMARTINEZ

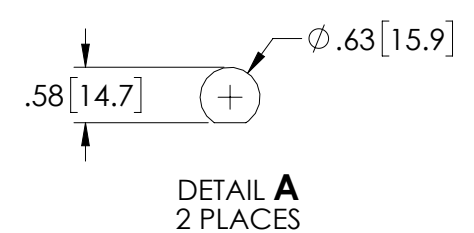


VIEW B-B

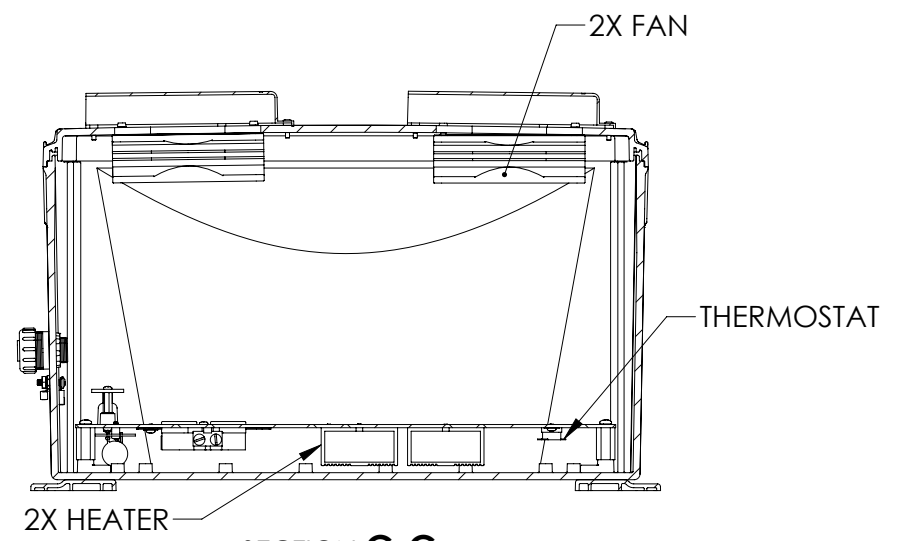
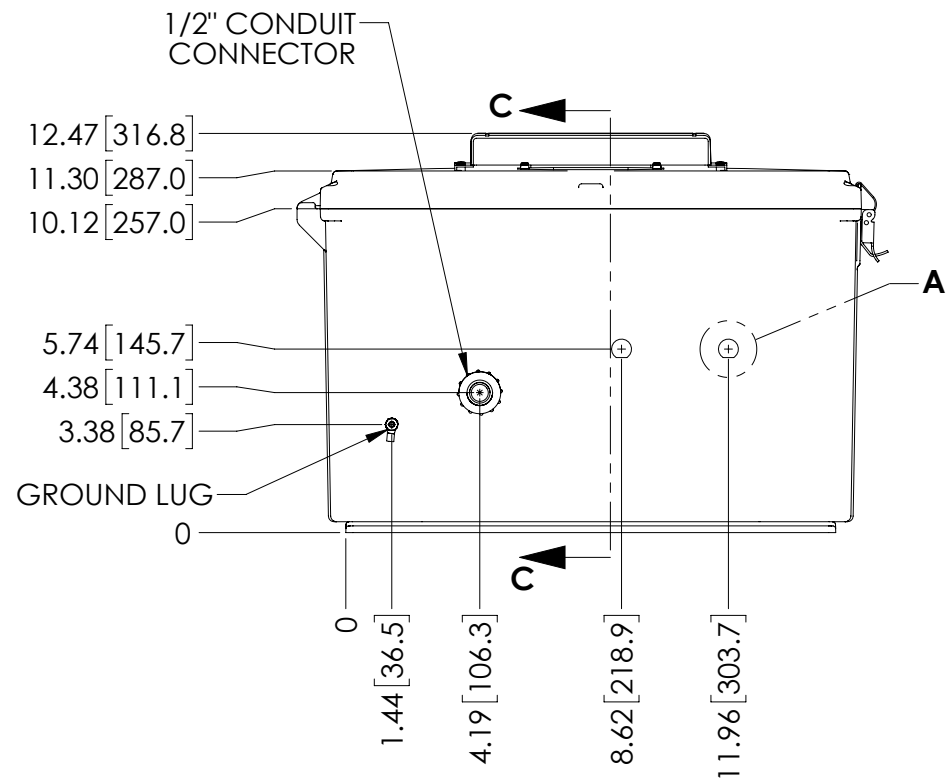


COMPONENT ON BACK OF PLATE DO NOT DRILL

LID NOT SHOWN IN THIS VIEW FOR CLARITY



DETAIL A
2 PLACES



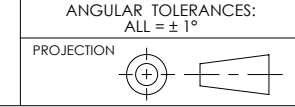
SECTION C-C

- NOTES:
- ENCLOSURE MATERIAL-LIGHT GRAY (PANTONE 422C) HIGH-IMPACT, UV RESISTANT POLYCARBONATE.
 - TEMPERATURE RANGE: -40°F TO 265°F
 - CABINETS ARE MAINTENANCE FREE AND CORROSION RESISTANT.
 - SHALL BE PACKAGED AS PER L-COM SPEC
 - ALL DIMENSIONS FOR REFERENCE ONLY.

UNLESS OTHERWISE SPECIFIED, DIMENSIONS ARE IN INCHES [mm]

DIMENSIONAL TOLERANCES:
 .X = ±.1 [2.54]
 .XX = ±.01 [.25]
 .XXX = ±.005 [.13]

ANGULAR TOLERANCES:
 ALL = ± 1°



APPROVALS	DATE
DZINN	05/14/2019
DFRISIELLO	05/14/2019
MMARTINEZ	05/14/2019

CONFIGURATION DETAILS OF UNDIMENSIONED FEATURES MAY VARY

COLOR VARIATIONS MAY OCCUR

L-COM Global Connectivity
 50 HIGH STREET
 NORTH ANDOVER, MA 01845

CATEGORY		ENCLOSURE	
PRODUCT DESCRIPTION			
ENCL PC 18x16x10" w/85° 2-Fan & Heat 120VAC MT PLT			
SIZE	FSCM NO.	DWG. NO.	REV.
B	43321	NBPC181610-1HF-1	A
SCALE: 1:6		SHEET 1 OF 1	

CAD FILE: NBPC181610-1HF-1.SLDDRW