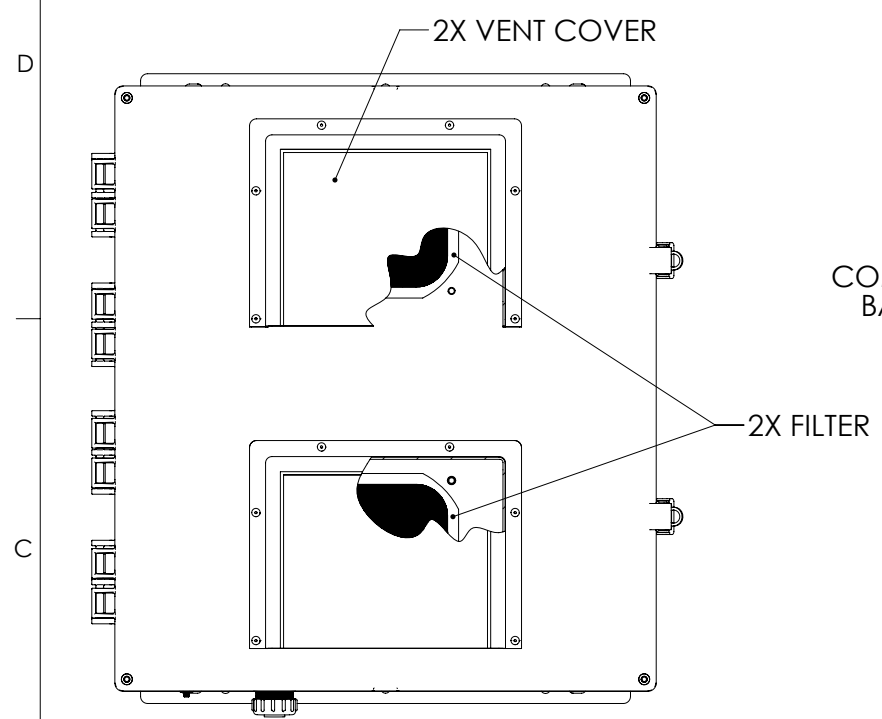
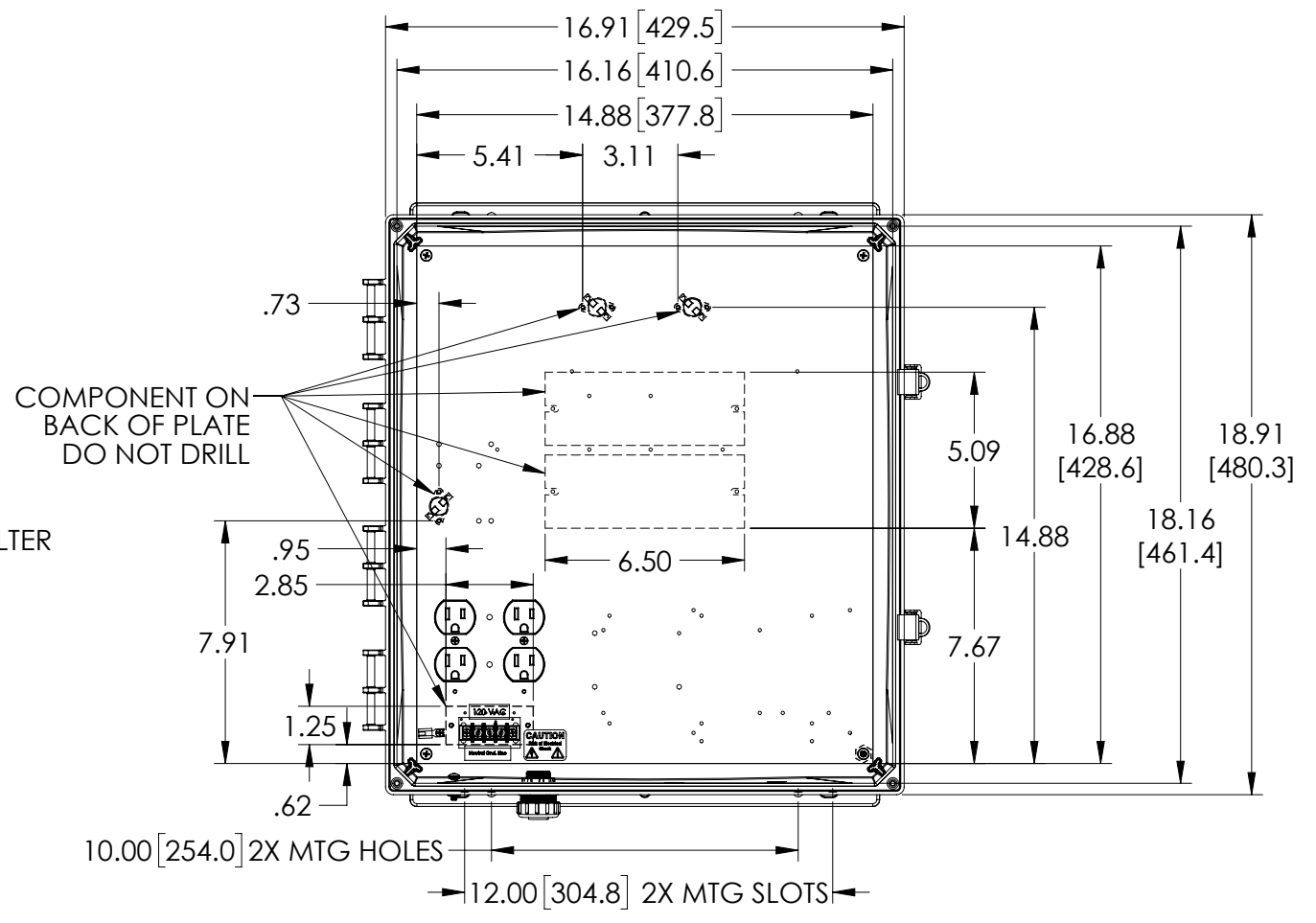


THE INFORMATION CONTAINED IN THIS DRAWING IS THE SOLE PROPERTY OF L-COM, INC. ANY REPRODUCTIONS IN PART OR WHOLE WITHOUT THE WRITTEN PERMISSION OF L-COM, INC. IS PROHIBITED.

REVISIONS			
REV	DESCRIPTION	DATE	CHANGED BY
A	INITIAL RELEASE	05/16/19	MMARTINEZ



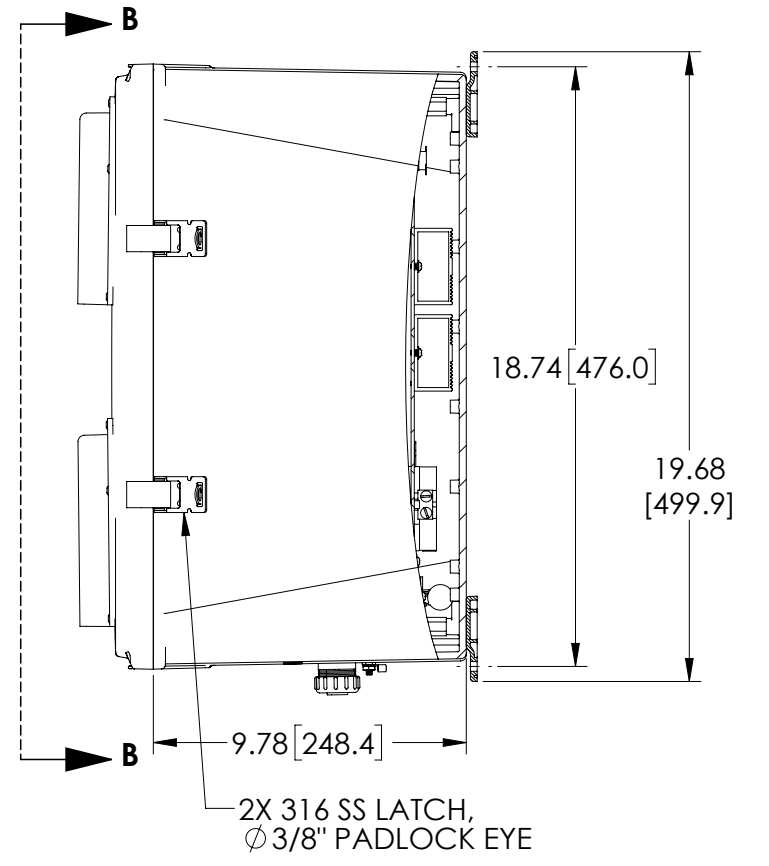
VIEW B-B



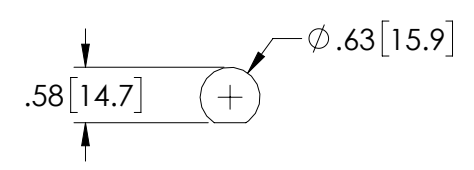
COMPONENT ON BACK OF PLATE DO NOT DRILL

10.00 [254.0] 2X MTG HOLES
12.00 [304.8] 2X MTG SLOTS

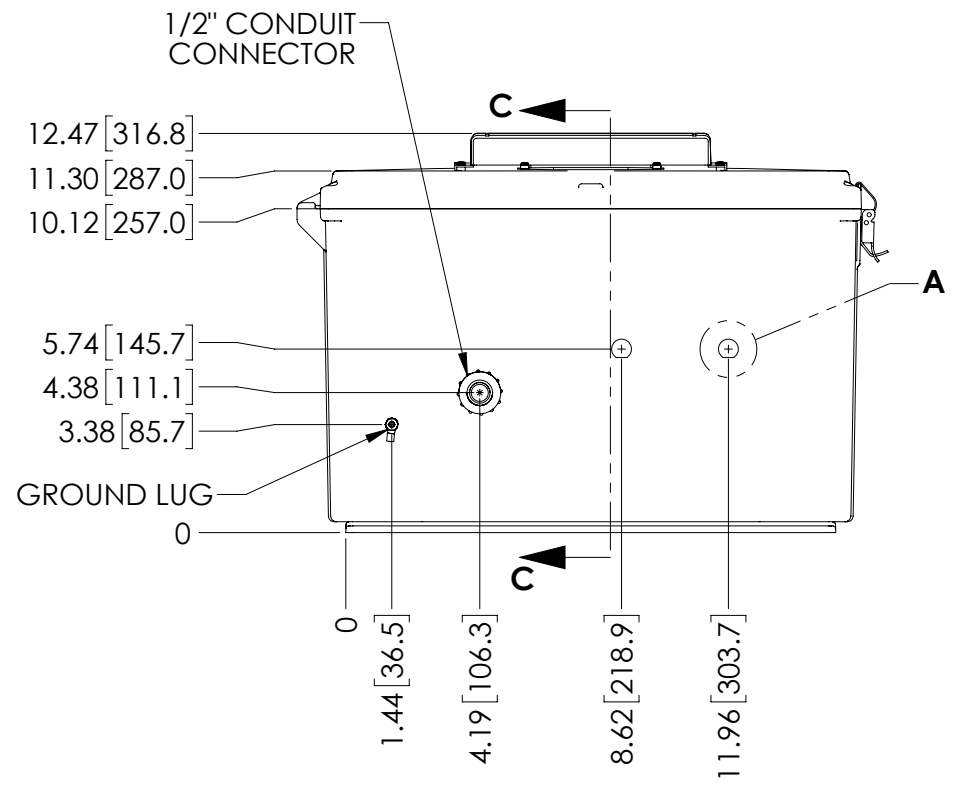
LID NOT SHOWN IN THIS VIEW FOR CLARITY



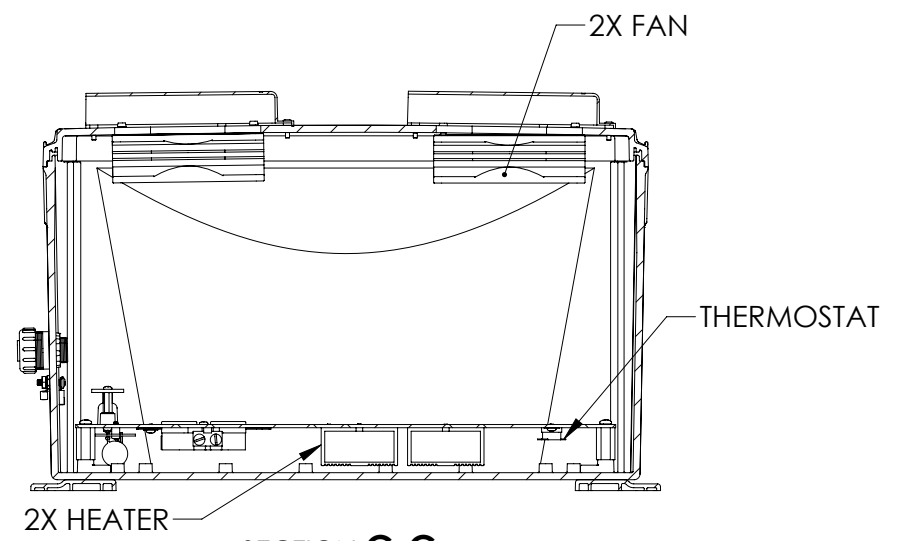
2X 316 SS LATCH, Ø3/8" PADLOCK EYE



DETAIL A
2 PLACES



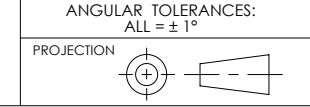
GROUND LUG
0



SECTION C-C

- NOTES:
- ENCLOSURE MATERIAL-LIGHT GRAY (PANTONE 422C) HIGH-IMPACT, UV RESISTANT POLYCARBONATE.
 - TEMPERATURE RANGE: -40°F TO 265°F
 - CABINETS ARE MAINTENANCE FREE AND CORROSION RESISTANT.
 - SHALL BE PACKAGED AS PER L-COM SPEC
 - ALL DIMENSIONS FOR REFERENCE ONLY.

UNLESS OTHERWISE SPECIFIED, DIMENSIONS ARE IN INCHES [mm]
DIMENSIONAL TOLERANCES:
.X = ±.1 [2.54]
.XX = ±.01 [.25]
.XXX = ±.005 [.13]
ANGULAR TOLERANCES:
ALL = ± 1°



APPROVALS	DATE
DZINN	05/14/19
DFRISIELLO	05/14/19
MMARTINEZ	05/14/19

L-COM Global Connectivity
50 HIGH STREET
NORTH ANDOVER, MA 01845

CATEGORY		ENCLOSURE	
PRODUCT DESCRIPTION			
ENCL PC 18x16x10" w/Dual Fan & Heat 120VAC Plate			
SIZE	FSCM NO.	DWG. NO.	REV.
B	43321	NBPC181610-1HF	A
SCALE: 1:6		CAD FILE: NBPC181610-1HF.SLDDRW	SHEET 1 OF 1