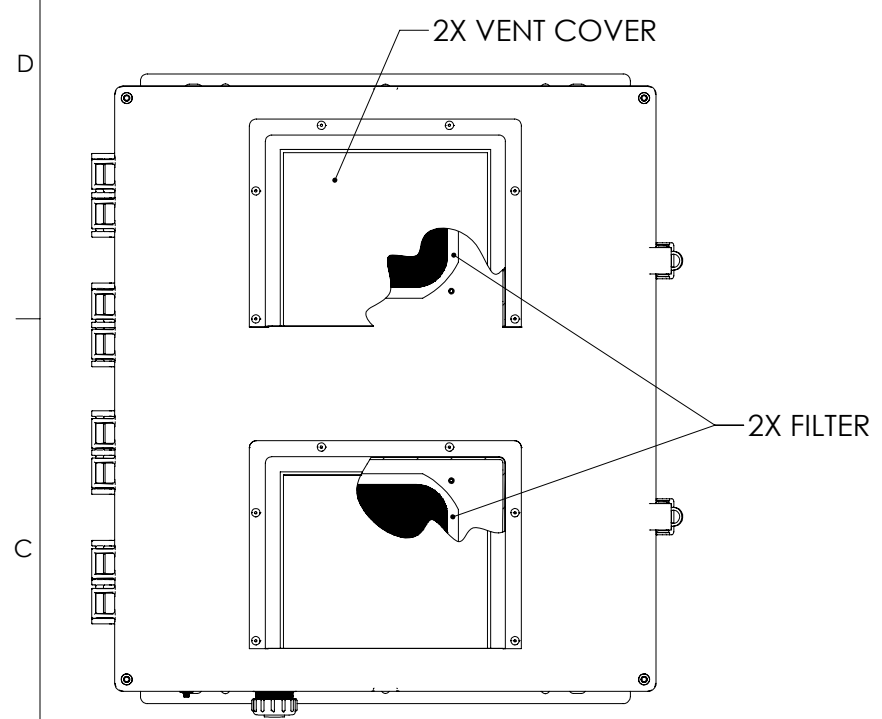
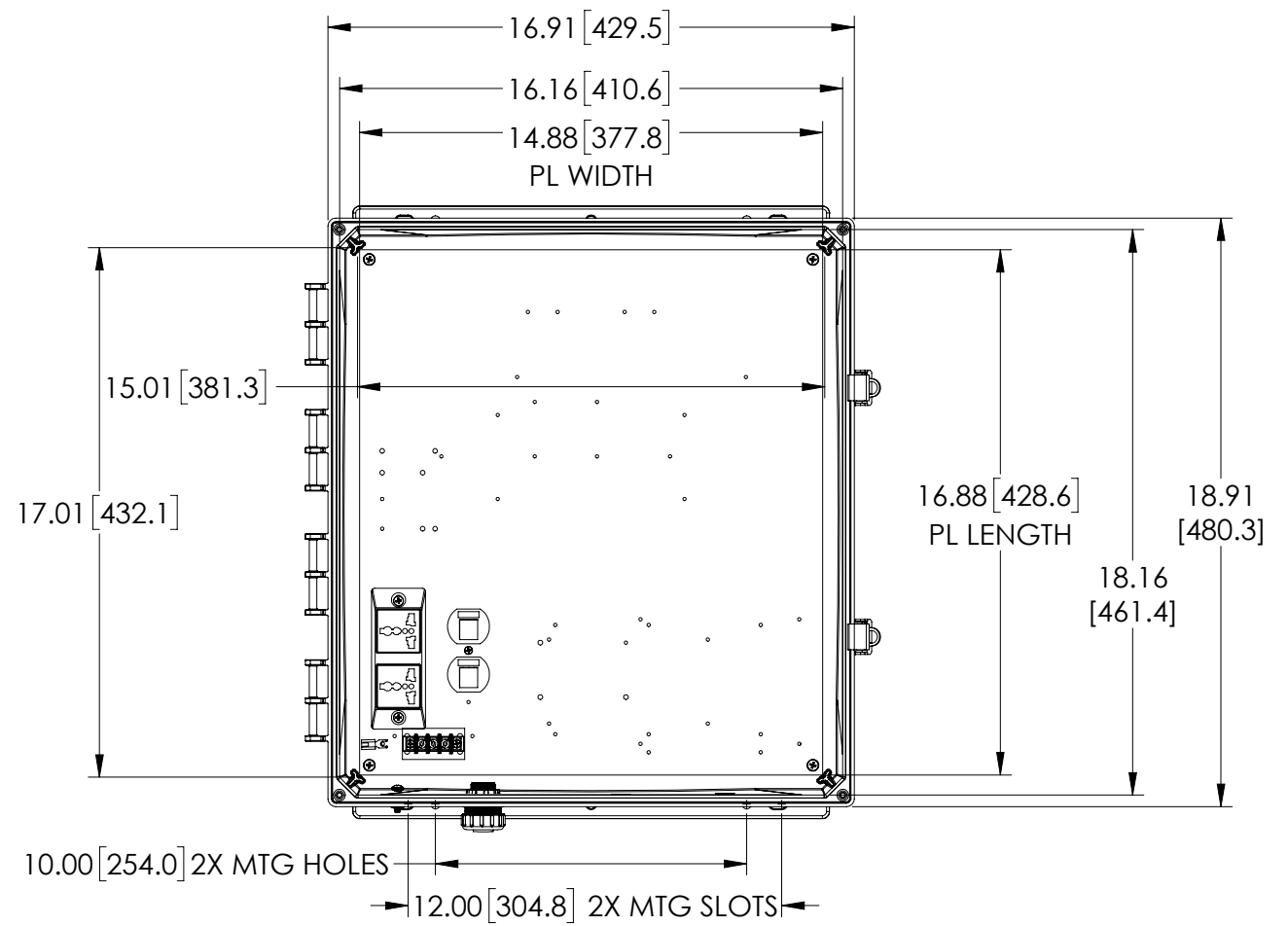


THE INFORMATION CONTAINED IN THIS DRAWING IS THE SOLE PROPERTY OF L-COM, INC. ANY REPRODUCTIONS IN PART OR WHOLE WITHOUT THE WRITTEN PERMISSION OF L-COM, INC. IS PROHIBITED.

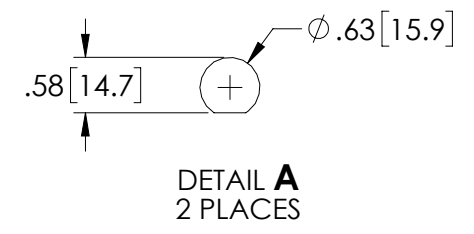
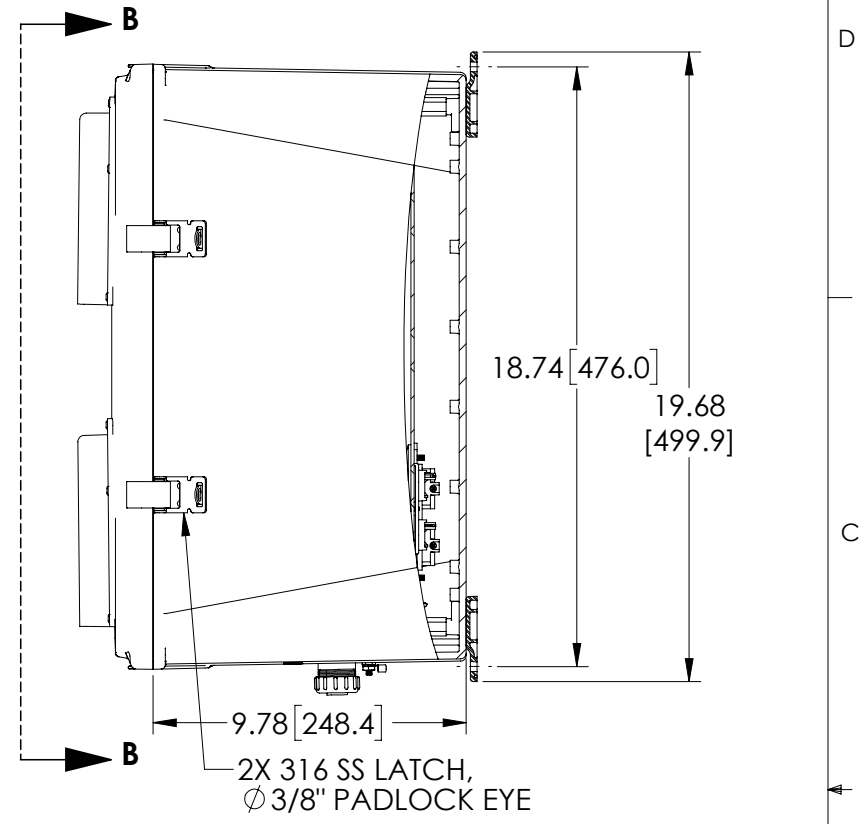
REVISIONS			
REV	DESCRIPTION	DATE	CHANGED BY
A	INITIAL RELEASE	05/16/2019	MMARTINEZ



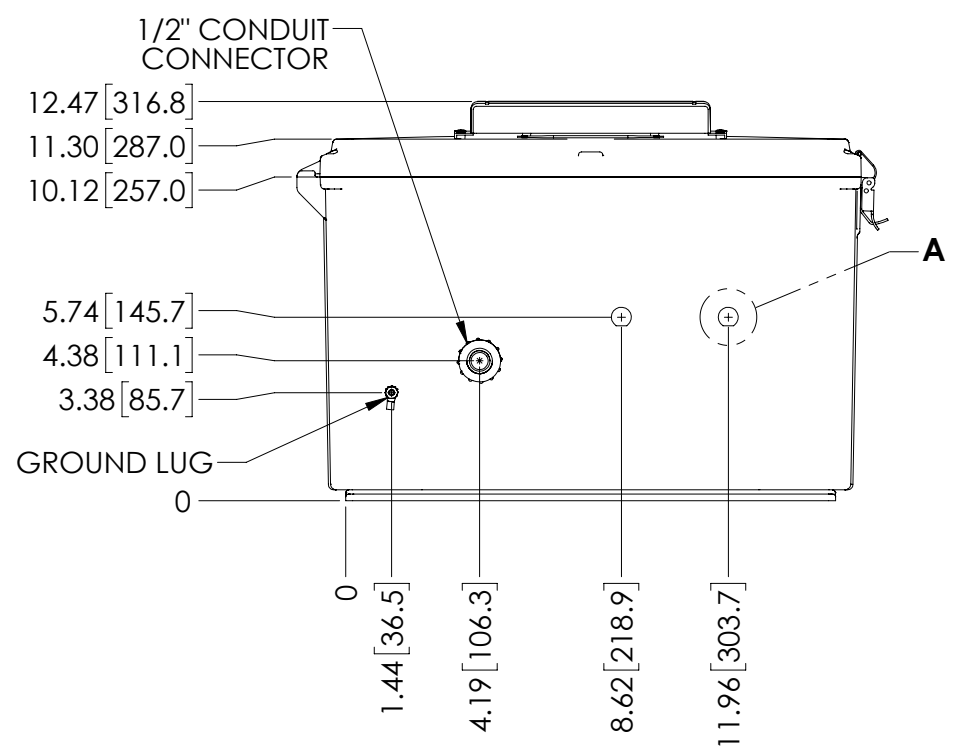
VIEW B-B



LID NOT SHOWN IN THIS VIEW FOR CLARITY



DETAIL A
2 PLACES

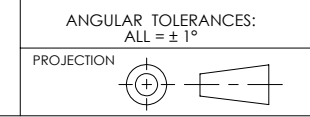


- NOTES:**
- ENCLOSURE MATERIAL-DARK GRAY (PANTONE 422C) HIGH-IMPACT UV RESISTANT POLYCARBONATE.
 - TEMPERATURE RANGE: -40°F TO 265°F.
 - CABINETS ARE MAINTENANCE FREE AND CORROSION RESISTANT.
 - SHALL BE PACKAGED AS PER L-COM SPEC.
 - ALL DIMENSIONS FOR REFERENCE ONLY.
 - WALL MOUNT BRACKETS COME UNINSTALLED, INSIDE ENCLOSURE, BAGGED WITH HARDWARE.

UNLESS OTHERWISE SPECIFIED, DIMENSIONS ARE IN INCHES [mm]

DIMENSIONAL TOLERANCES:
 .X = ±.1 [2.54]
 .XX = ±.01 [.25]
 .XXX = ±.005 [.13]

ANGULAR TOLERANCES:
 ALL = ± 1°



APPROVALS	DATE
DRAWN BY DZINN	05/16/2019
CHECKED BY DFRISIELLO	05/16/2019
APPROVED BY MMARTINEZ	05/16/2019

L-com Global Connectivity
 50 HIGH STREET
 NORTH ANDOVER, MA
 01845

CATEGORY ENCLOSURE		REV. A
PRODUCT DESCRIPTION ENCL PC 18x16x10" w/Vent Lid & 120-240VAC Mnt PLT		
SIZE B	FSCM NO. 43321	DWG. NO. NBPC181610-E0V
SCALE: 1:6	CAD FILE: NBPC181610-E0V.SLDDRW	SHEET 1 OF 1