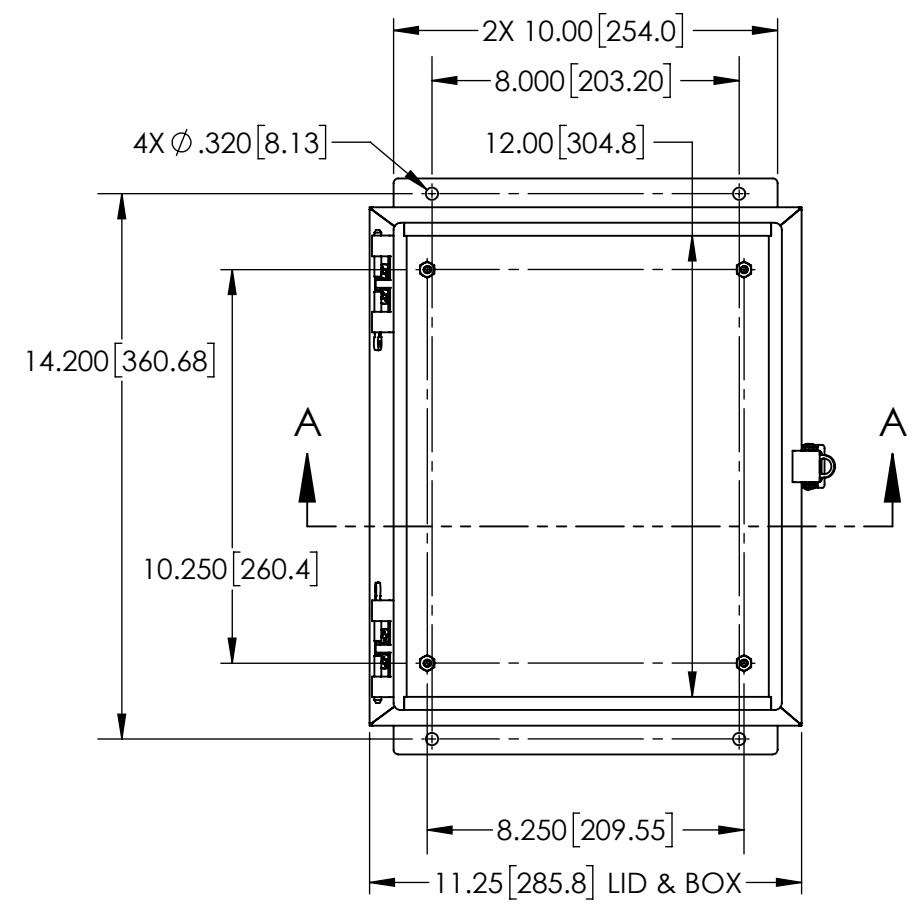
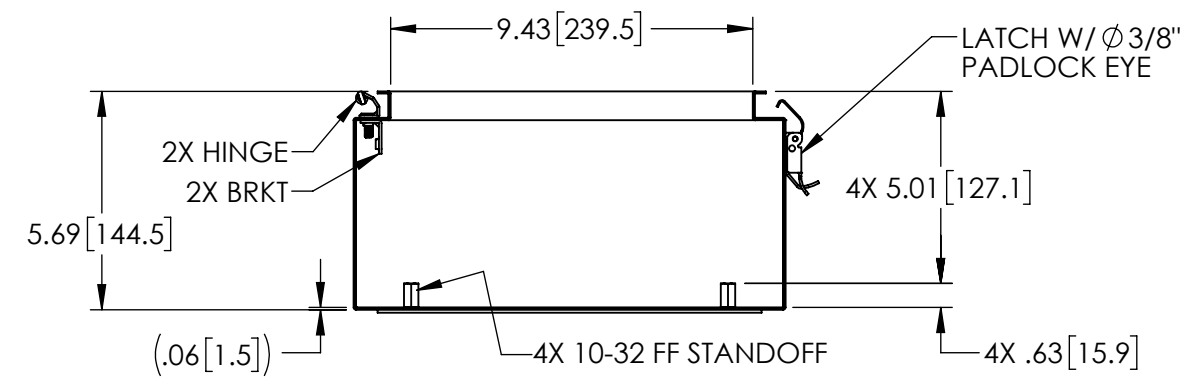
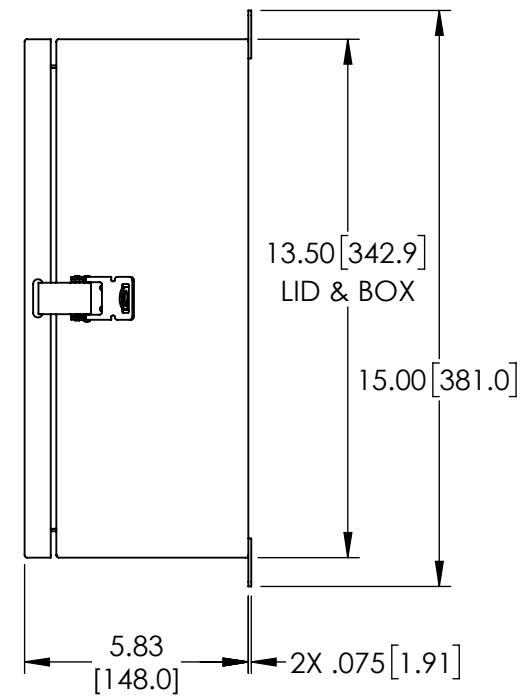


THE INFORMATION CONTAINED IN THIS DRAWING IS THE SOLE PROPERTY OF L-COM, INC. ANY REPRODUCTIONS IN PART OR WHOLE WITHOUT THE WRITTEN PERMISSION OF L-COM, INC. IS PROHIBITED.

REVISIONS			
REV	DESCRIPTION	DATE	APPROVED BY
A	INITIAL RELEASE	08/05/2019	MMARTINEZ



LID NOT SHOWN FOR CLARITY



SECTION A-A  
LID NOT SHOWN FOR CLARITY

- NOTES:
1. MATERIAL: 304 STAINLESS STEEL, 16GA.
  2. FINISH: BRUSHED STAINLESS.
  3. CSA CERTIFIED, UL LISTED, NEMA/EEMAC 4X, IP66, RATINGS PRIOR TO MODIFICATION.
  4. TEMPERATURE RANGE: -40°C TO 160°C MAX.
  5. COMPONENT SHALL BE INDIVIDUALLY PACKAGED IN ACCORDANCE WITH L-COM SPECIFICATION PS-0031.

UNLESS OTHERWISE SPECIFIED, DIMENSIONS ARE IN INCHES [mm]  
 DIMENSIONAL TOLERANCES:  
 ..X = ±.1 [2.54]  
 .XX = ±.01 [.25]  
 .XXX = ±.005 [.13]  
 ANGULAR TOLERANCES:  
 ALL = ± 1°

APPROVALS	DATE
DRAWN BY DZINN	07/05/2019
CHECKED BY DFRISIELLO	07/05/2019
APPROVED BY MMARTINEZ	07/12/2019

**L-com** Global Connectivity  
 50 HIGH STREET  
 NORTH ANDOVER, MA  
 01845

CATEGORY		ENCLOSURE	
PRODUCT DESCRIPTION			
Enclosure Stainless Steel 12x10x06"			
SIZE	FSCM NO.	DWG. NO.	REV.
<b>B</b>	<b>43321</b>	NBSS121006	<b>A</b>
SCALE: NONE		CAD FILE: NBSS121006.SLDDRW	SHEET 1 OF 1

