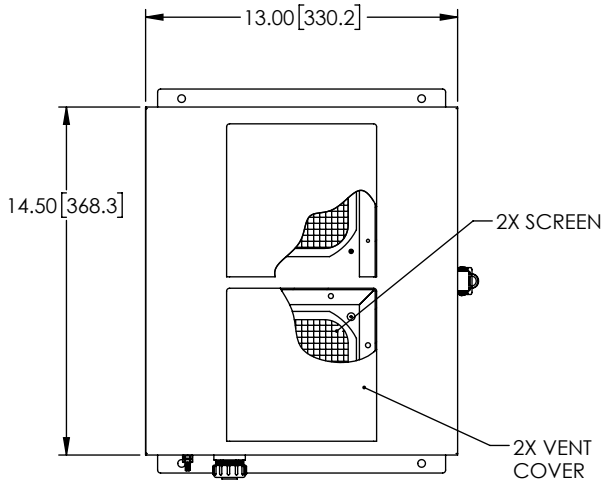
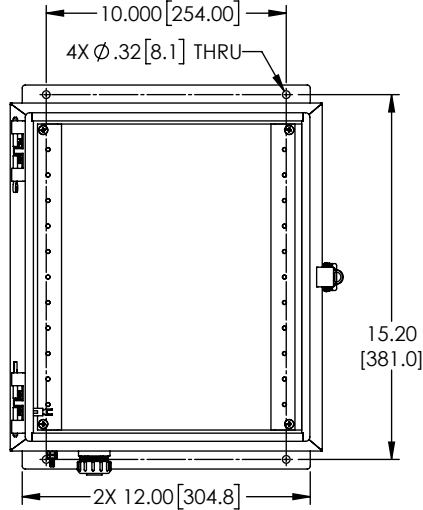


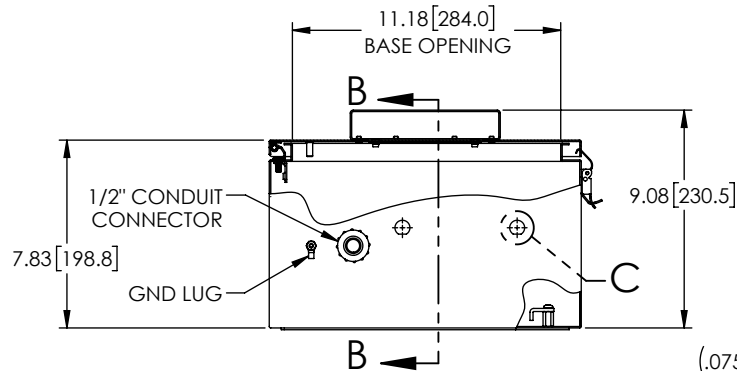
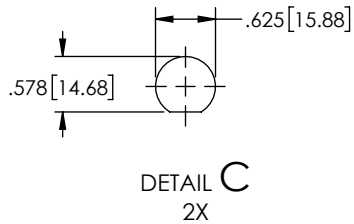
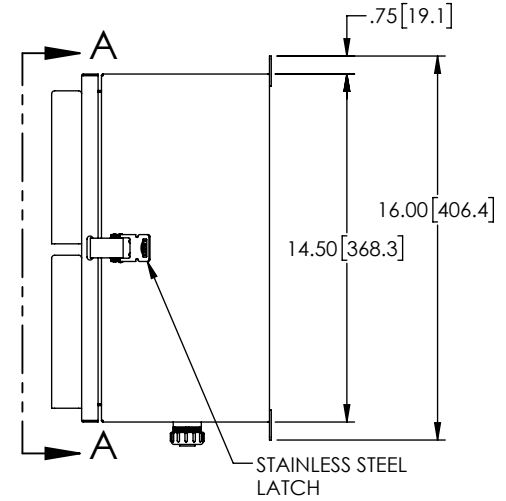
| REVISIONS | | | |
|-----------|-----------------|------------|-----------|
| REV. | DESCRIPTION | DATE | APPROVED |
| A | INITIAL RELEASE | 12/10/2019 | MMARTINEZ |



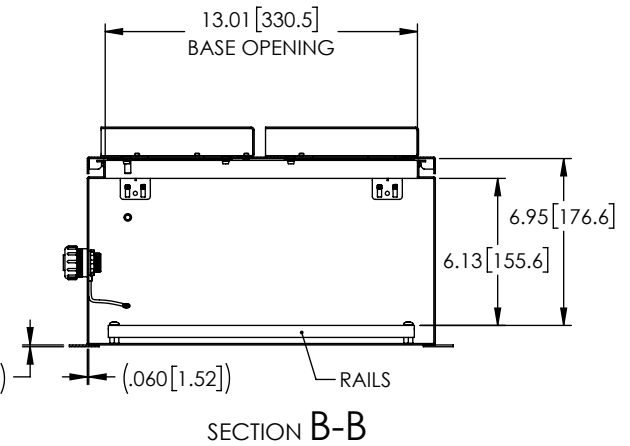
VIEW A-A



LID NOT SHOWN FOR CLARITY



(.075 [1.91])



THESE COMMODITIES, TECHNOLOGY OR SOFTWARE WERE EXPORTED FROM THE UNITED STATES IN ACCORDANCE WITH THE EXPORT ADMINISTRATION REGULATIONS. DIVERSION CONTRARY TO U.S. LAW PROHIBITED.

UNLESS OTHERWISE SPECIFIED LEADING DIMENSIONS ARE INCHES DIMENSIONS IN [] ARE MILLIMETERS

TOLERANCES:

| | |
|--------------------|------------------|
| X = ± .2 [5.08] | FRACTIONS ± 1/32 |
| .XX = ± .02 [.51] | ANGLES ± 1° |
| XXX = ± .005 [.13] | |

CABLE LENGTH (L) TOLERANCES:

| |
|---|
| L ≤ 12 [305] = +1 [25] / -0 |
| 12 [305] < L ≤ 60 [1524] = +2 [51] / -0 |
| 60 [1524] < L ≤ 120 [3048] = +4 [102] / -0 |
| 120 [3048] < L ≤ 300 [7620] = +6 [152] / -0 |
| 300 [7620] < L = +5%L / -0 |

ALL DIMENSIONS SHOWN ARE FOR REFERENCE ONLY.

L-com
an INFINIT[®] brand

50 High Street, West Mill, 3rd Floor, Suite #30
North Andover, MA 01845 USA.
Phone: 1.800.341.5266 | 1.978.682.6936
Fax: 1.978.689.9484
Website: www.L-com.com
E-mail: CustomerService@L-com.com

| | | | | |
|-----------|--------------------|-------------------|---------------------------------|----------|
| SIZE A | CAGE CODE 43321 | DRAWN BY DZINN | PART NUMBER NBSS141207-00VDR | REV A |
|-----------|--------------------|-------------------|---------------------------------|----------|

THIRD-ANGLE PROJECTION

THE INFORMATION AND DESIGN IN THIS DOCUMENT IS THE PROPERTY OF L-COM GLOBAL CONNECTIVITY. ALL RIGHTS RESERVED.

| | |
|--------------|---------|
| SHEET 1 | OF 1 |
| SCALE N/A | |