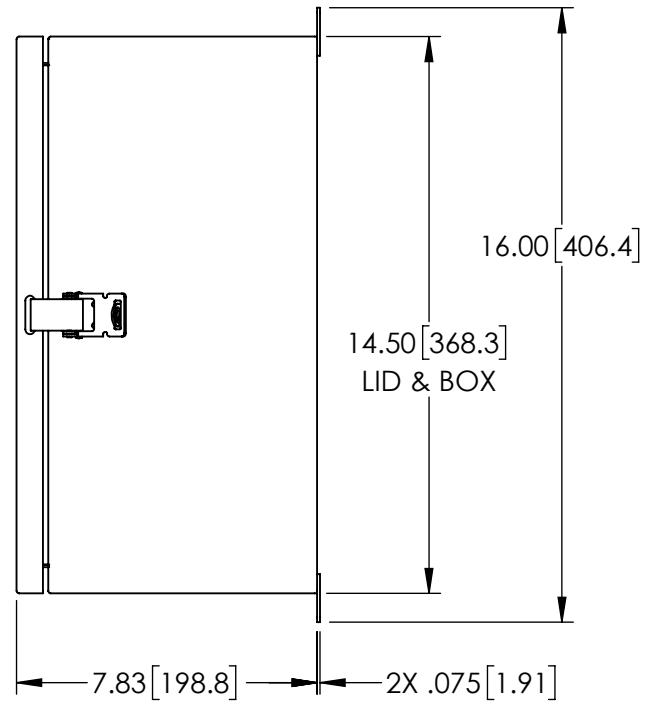
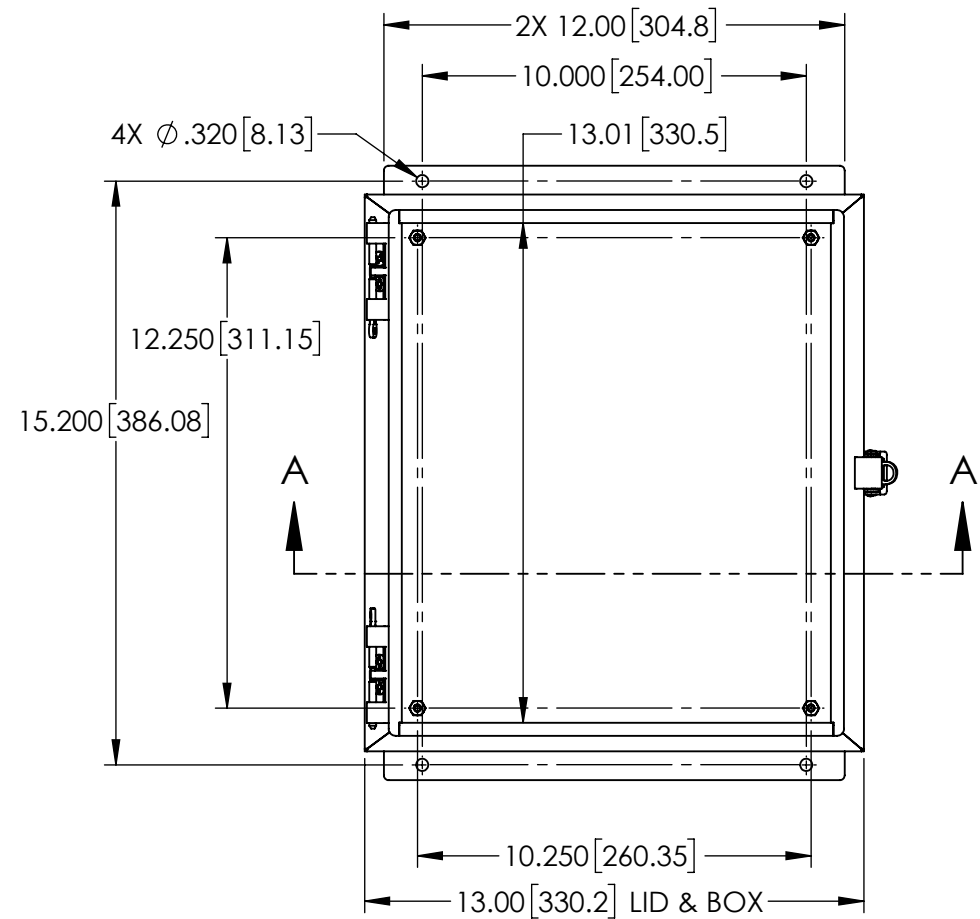
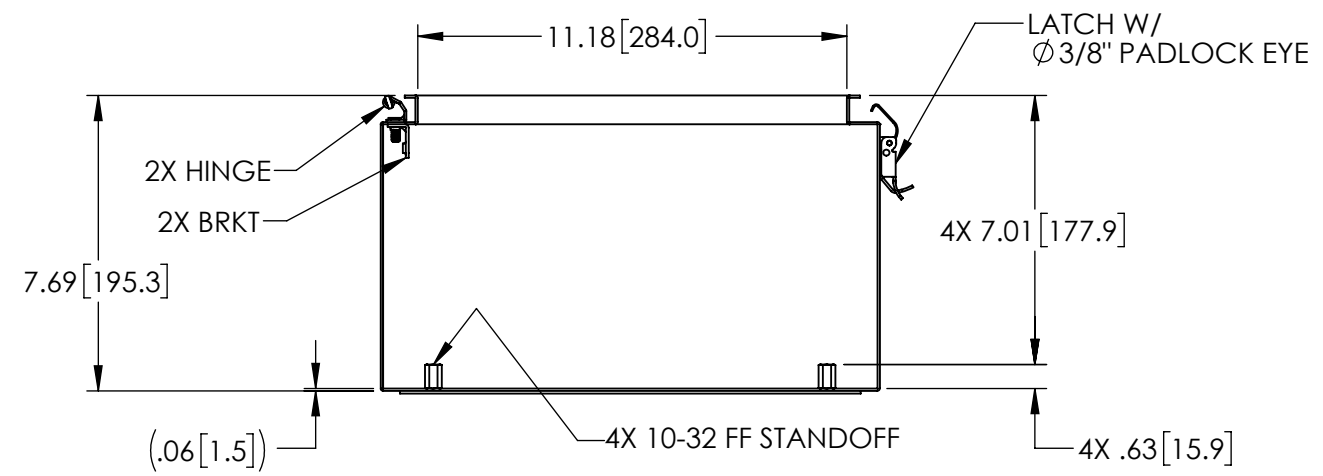


THE INFORMATION CONTAINED IN THIS DRAWING IS THE SOLE PROPERTY OF L-COM, INC. ANY REPRODUCTIONS IN PART OR WHOLE WITHOUT THE WRITTEN PERMISSION OF L-COM, INC. IS PROHIBITED.

REVISIONS			
REV	DESCRIPTION	DATE	APPROVED BY
A	INITIAL RELEASE	08/05/2019	MMARTINEZ



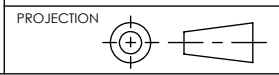
LID NOT SHOWN FOR CLARITY



SECTION A-A
LID NOT SHOWN FOR CLARITY

- NOTES:
1. MATERIAL: 304 STAINLESS STEEL, 16GA.
 2. FINISH: BRUSHED STAINLESS.
 3. CSA CERTIFIED, UL LISTED, NEMA/EEMAC 4X, IP66, RATINGS PRIOR TO MODIFICATION.
 4. TEMPERATURE RANGE: -40°C TO 160°C MAX.
 5. COMPONENT SHALL BE INDIVIDUALLY PACKAGED IN ACCORDANCE WITH L-COM SPECIFICATION PS-0031.

UNLESS OTHERWISE SPECIFIED, DIMENSIONS ARE IN INCHES [mm]
 DIMENSIONAL TOLERANCES:
 ..X = ±.1 [2.54]
 .XX = ±.01 [.25]
 .XXX = ±.005 [.13]
 ANGULAR TOLERANCES:
 ALL = ± 1°



APPROVALS	DATE
DRAWN BY DZINN	07/05/2019
CHECKED BY DFRISIELLO	07/05/2019
APPROVED BY MMARTINEZ	07/10/2019

L-com Global Connectivity
 50 HIGH STREET
 NORTH ANDOVER, MA
 01845

CATEGORY ENCLOSURE		PRODUCT DESCRIPTION Enclosure Stainless Steel 14x12x07"	
SIZE B	FSCM NO. 43321	DWG. NO. NBSS141207	REV. A
SCALE: NOTE CAD FILE: NBSS141207.SLDDRW			SHEET 1 OF 1