

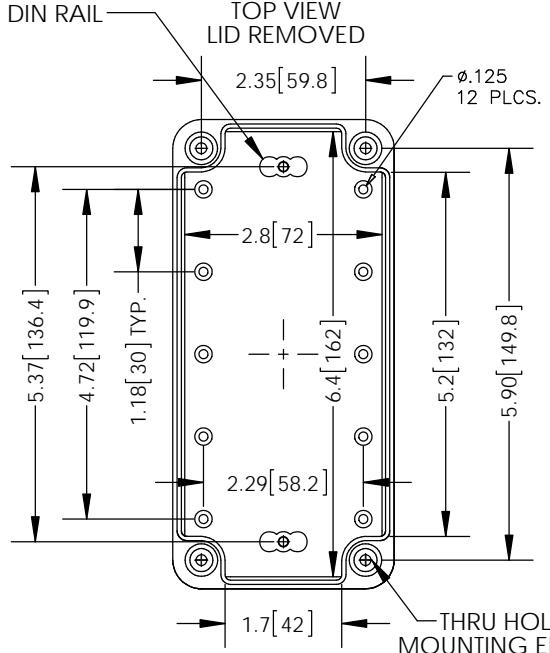
8 7 6 5 4 3 2 1

THE INFORMATION CONTAINED IN THIS DRAWING IS THE SOLE PROPERTY OF L-COM, INC. ANY REPRODUCTION IN PART OR WHOLE WITHOUT THE WRITTEN PERMISSION OF L-COM, INC. IS PROHIBITED.

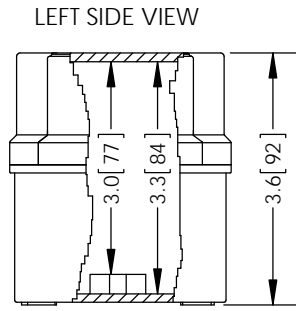
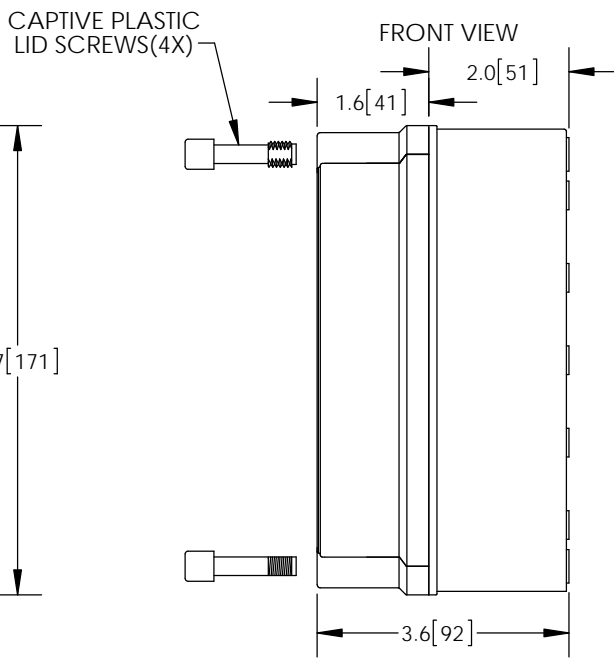
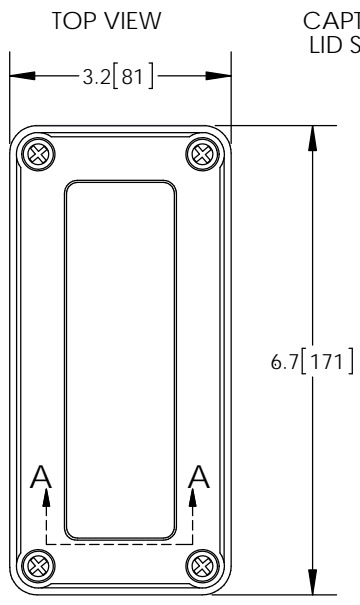
REVISIONS			
REV	DESCRIPTION	DATE	APPROVED
A	INITIAL RELEASE	2/19/13	D.GRIFFIN

D
C
B
A

INTERNAL BOSSES FOR MOUNTING COMPONENTS OR DIN RAIL



THRU HOLES FOR MOUNTING ENCLOSURE USING #6 SCREWS (4X)



- NOTE:
- ENCLOSURE MATERIAL-GRAY (RAL7035) VALOX® 357U THERMOPLASTIC POLYESTER
 - NEMA RATED TYPE 3, 3R, 3S, 4, 4X, 12 AND 13 PRIOR TO MODIFICATIONS.
 - IEC 529 RATED IP 66 PRIOR TO MODIFICATION.
 - HEAT DEFLECTION TEMPERATURE UP TO 138 DEG C.
 - ENCLOSURES ARE MAINTENANCE FREE AND CORROSION RESISTANT.
 - SHALL BE PACKAGED AS PER L-COM SPEC PKG-00095
 - ALL DIMENSIONS FOR REFERENCE ONLY

RoHS Compliant ✓

UNLESS OTHERWISE SPECIFIED, DIMENSIONS ARE IN INCHES [mm]	APPROVALS	DATE		45 BEECHWOOD DRIVE NORTH ANDOVER, MA 01845	
	DRAWN BY B.PUCHASKI	2/13/13			
	DIMENSIONAL TOLERANCES: .X = ±.1 .XX = ±.01 .XXX = ±.005	CHECKED BY P.PESA	2/13/13	CATEGORY ENCLOSURE	
	ANGULAR TOLERANCES: ALL = ± 1°	APPROVED BY P.PESA	2/13/13	PRODUCT DESCRIPTION PBT NEMA ENCLOSURE - 7 X 3 X 3 SCREW COVER	
PROJECTION 	COLOR VARIATIONS MAY OCCUR	SIZE A	FSCM NO. 43321	DWG. NO. NBV733	REV. A
		SCALE: NONE	CAD FILE: NBV733.SLDDRW		SHEET 1 OF 1

8 7 6 5 4 3 2 1