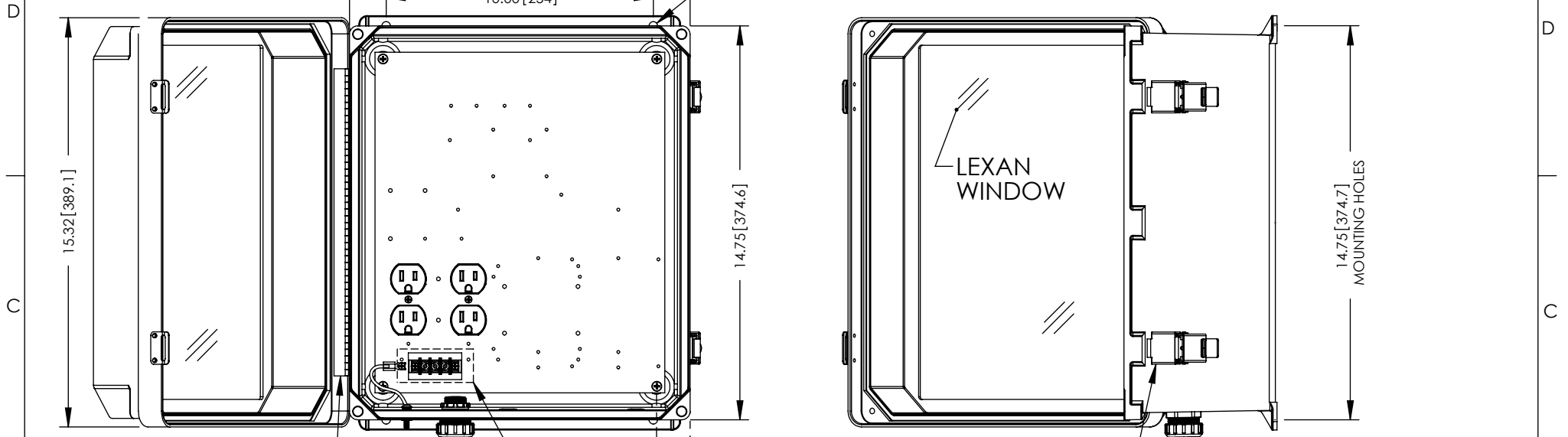


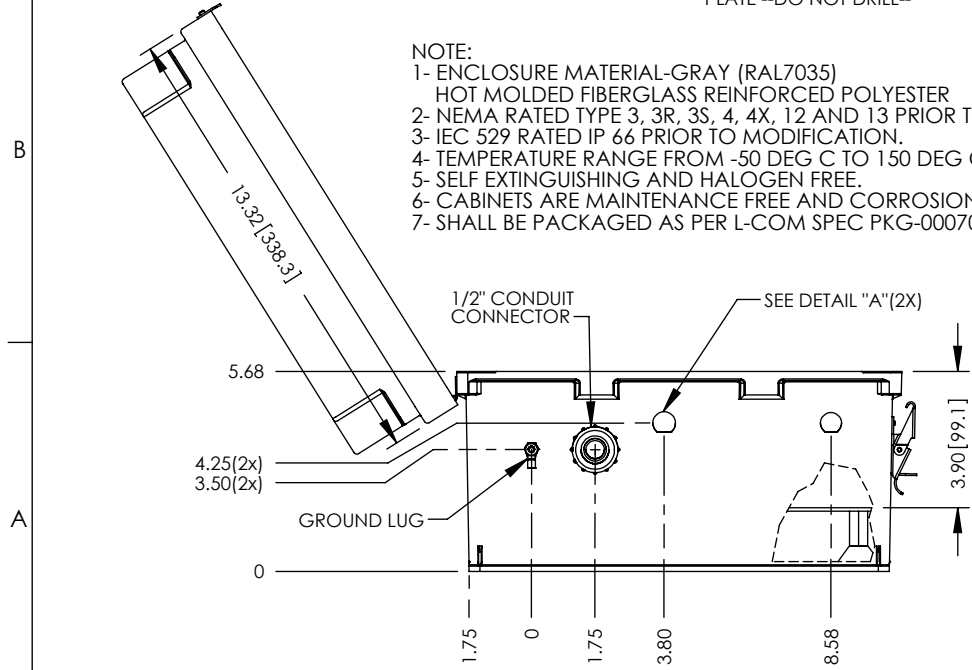
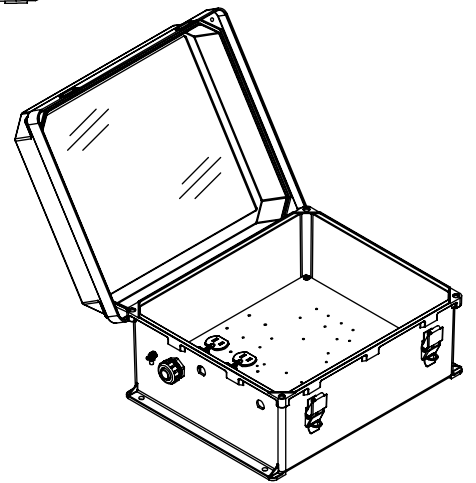
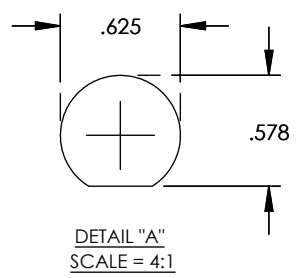
THE INFORMATION CONTAINED IN THIS DRAWING IS THE SOLE PROPERTY OF L-COM, INC. ANY REPRODUCTION IN PART OR WHOLE WITHOUT THE WRITTEN PERMISSION OF L-COM, INC. IS PROHIBITED.

REVISIONS			
REV	DESCRIPTION	DATE	APPROVED
A	INITIAL RELEASE	11/16/11	D.GRIFFIN



304 SS PIANO HINGE
 HIDDEN LINES REPRESENT COMPONENTS ON BACK OF PLATE --DO NOT DRILL--
 316 SS PADLOCKABLE LATCHES
 Ø.375 PADLOCK EYE

- NOTE:
 1- ENCLOSURE MATERIAL-GRAY (RAL7035)
 HOT MOLDED FIBERGLASS REINFORCED POLYESTER
 2- NEMA RATED TYPE 3, 3R, 3S, 4, 4X, 12 AND 13 PRIOR TO MODIFICATIONS.
 3- IEC 529 RATED IP 66 PRIOR TO MODIFICATION.
 4- TEMPERATURE RANGE FROM -50 DEG C TO 150 DEG C.
 5- SELF EXTINGUISHING AND HALOGEN FREE.
 6- CABINETS ARE MAINTENANCE FREE AND CORROSION RESISTANT.
 7- SHALL BE PACKAGED AS PER L-COM SPEC PKG-00070



UNLESS OTHERWISE SPECIFIED, DIMENSIONS ARE IN INCHES [mm] DIMENSIONAL TOLERANCES: .X = ±.1 .XX = ±.01 .XXX = ±.005 ANGULAR TOLERANCES: ALL = ± 1° PROJECTION	APPROVALS	DATE		45 BEECHWOOD DRIVE NORTH ANDOVER, MA 01845	
	DRAWN BY D.FRISIELLO	11/16/11			
	CHECKED BY M.SEDLESKI	11/16/11	CATEGORY	ENCLOSURE	
	APPROVED BY M.Martinez	11/16/11	PRODUCT DESCRIPTION	NEMA Enclosure 14 X 12 X 7 W/WINDOW 120V PLATE	
	CONFIGURATION DETAILS OF UNDIMENSIONED FEATURES MAY VARY	SIZE A	FSCM NO. 43321	DWG. NO. NBW141207-100	REV. A
	COLOR VARIATIONS MAY OCCUR	SCALE: NONE	CAD FILE: NBW141207-100.SLDRW	SHEET 1 OF 1	