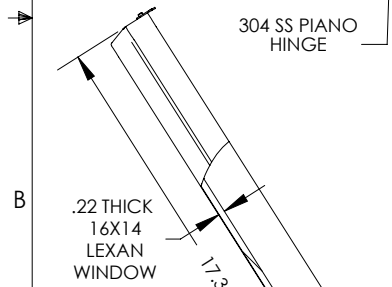
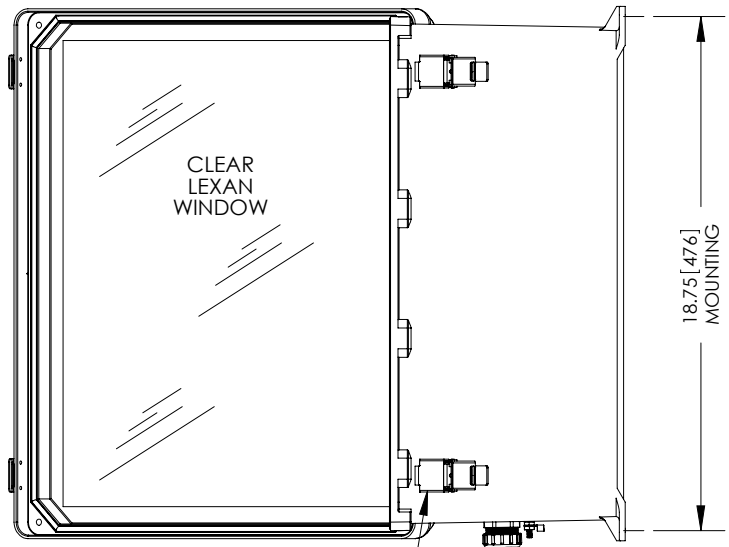
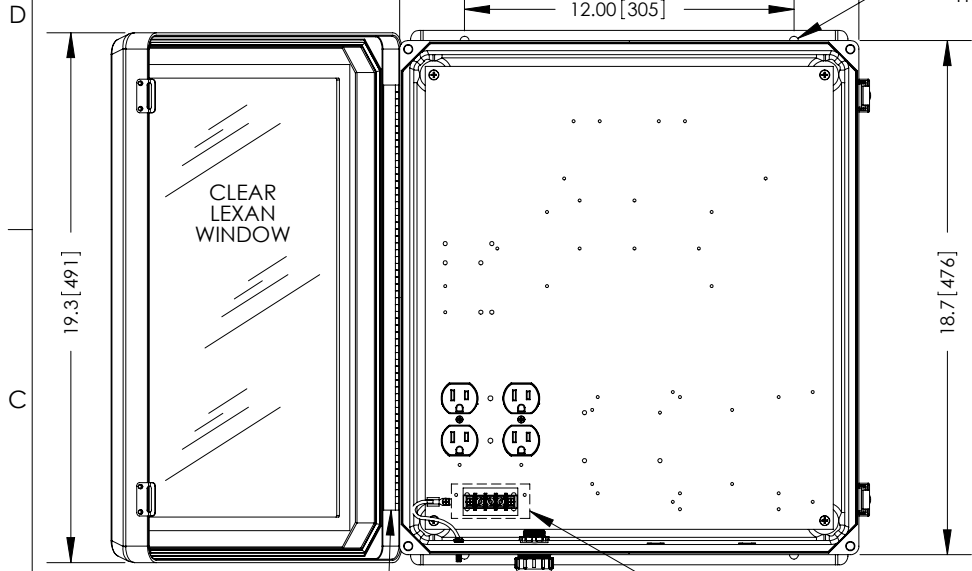
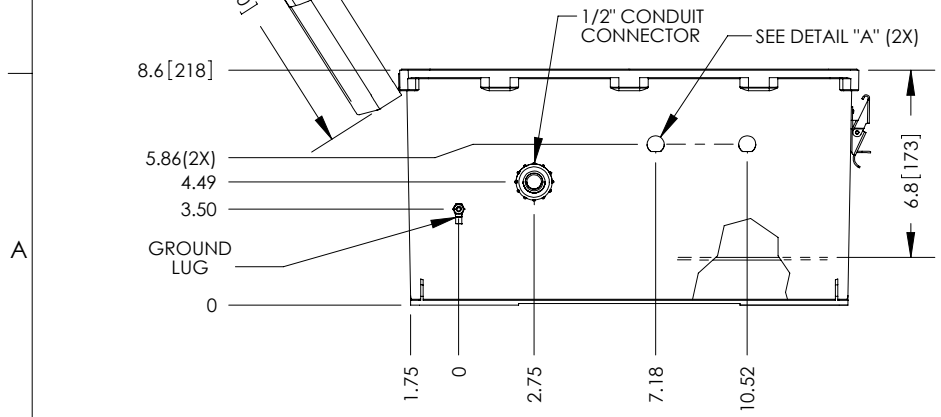
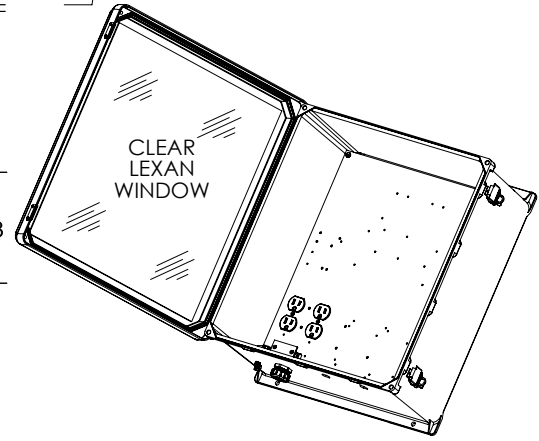
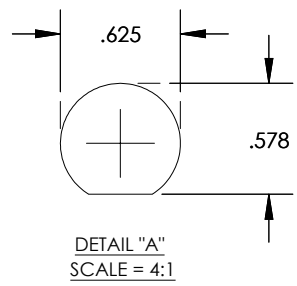


THE INFORMATION CONTAINED IN THIS DRAWING IS THE SOLE PROPERTY OF L-COM, INC. ANY REPRODUCTION IN PART OR WHOLE WITHOUT THE WRITTEN PERMISSION OF L-COM, INC. IS PROHIBITED.

REVISIONS			
REV	DESCRIPTION	DATE	APPROVED
A	INITIAL RELEASE	12/14/11	D.GRIFFIN
-	-	-	-
-	-	-	-



- NOTE:**
- ENCLOSURE MATERIAL-GRAY (RAL7035)
HOT MOLDED FIBERGLASS REINFORCED POLYESTER
 - NEMA RATED TYPE 3, 3R, 3S, 4, 4X, 12 AND 13 PRIOR TO MODIFICATIONS.
 - IEC 529 RATED IP 66 PRIOR TO MODIFICATION.
 - TEMPERATURE RANGE FROM -50 DEG C TO 150 DEG C.
 - SELF EXTINGUISHING AND HALOGEN FREE.
 - CABINETS ARE MAINTENANCE FREE AND CORROSION RESISTANT.
 - SHALL BE PACKAGED AS PER L-COM SPEC PKG-00070
 - ALL DIMENSIONS FOR REFERENCE -



RoHS Compliant ✓

UNLESS OTHERWISE SPECIFIED, DIMENSIONS ARE IN INCHES [mm] DIMENSIONAL TOLERANCES: .X = ±.1 .XX = ±.01 .XXX = ±.005 ANGULAR TOLERANCES: ALL = ± 1° PROJECTION	APPROVALS B.PUCHASKI CHECKED BY M.MARTINEZ APPROVED BY M.MARTINEZ	DATE 12/12/11 12/12/11 12/12/11	Global Connectivity 45 BEECHWOOD DRIVE NORTH ANDOVER, MA 01845
	CATEGORY ENCLOSURE		PRODUCT DESCRIPTION NEMA ENCLOSURE 18x16x8 WEATHERPROOF 120VAC W/WINDOW
	CONFIGURATION DETAILS OF UNDIMENSIONED FEATURES MAY VARY		
	COLOR VARIATIONS MAY OCCUR	SIZE A	FSCM NO. 43321

SCALE: NONE CAD FILE: NBW181608-100.SLDRW SHEET 1 OF 1