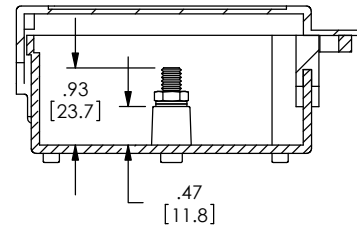


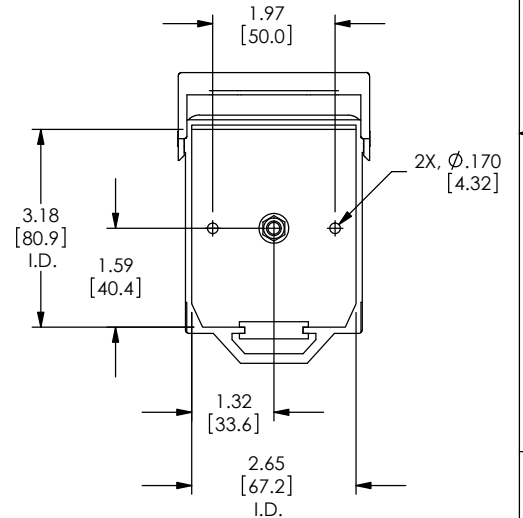
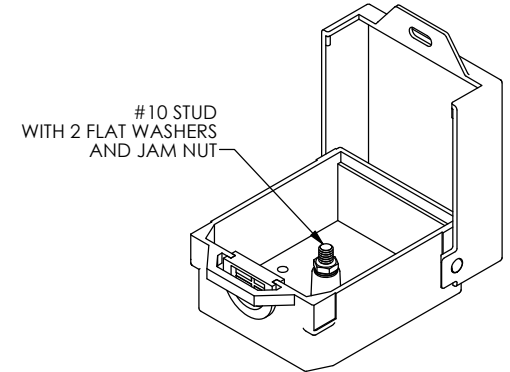
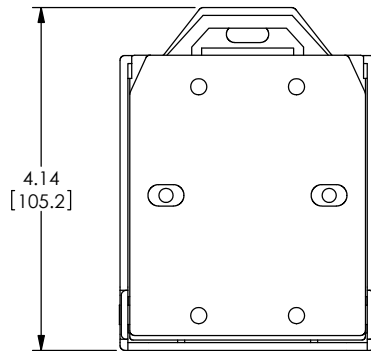
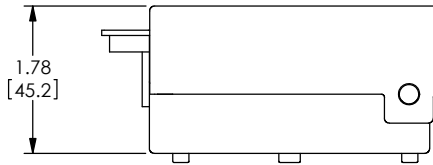
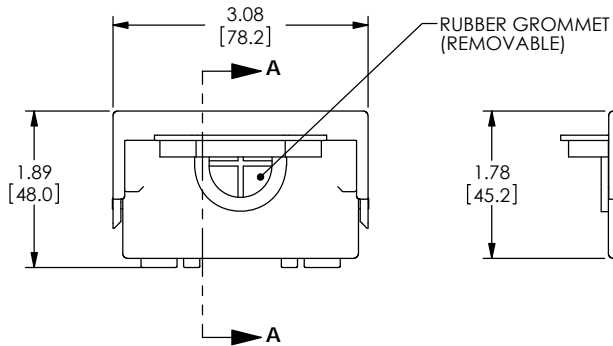
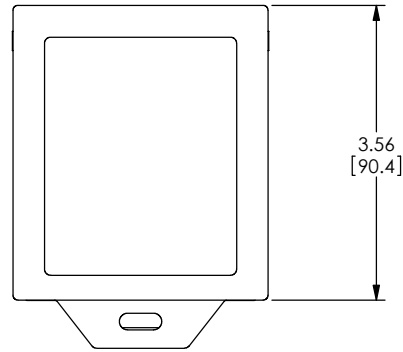
THE INFORMATION CONTAINED IN THIS DRAWING IS THE SOLE PROPERTY OF L-COM, INC. ANY REPRODUCTIONS IN PART OR WHOLE WITHOUT THE WRITTEN PERMISSION OF L-COM, INC. IS PROHIBITED.

REVISIONS			
REV	DESCRIPTION	DATE	CHANGED BY
A	INITIAL RELEASE	4/20/10	D.GRIFFIN

DESCRIPTION	MATERIAL	FINISH
HOUSING	ABS	BEIGE
HARDWARE	BRASS	-



SECTION A-A
SCALE 1 : 1.5



NOTES:
ALL DIMENSIONS ARE FOR REFERENCE ONLY.

UNLESS OTHERWISE SPECIFIED,
DIMENSIONS ARE IN INCHES (mm)
OVERALL CABLE LENGTH TOLERANCE:
≤12 [305] ≤40 [1026] = +.25 [6.35] / -0
>12 [305] ≤120 [3048] = +.10 [2.54] / -0
>120 [3048] ≤300 [7620] = +.15 [3.81] / -0
>300 [7620] = +.25 [6.35] / -0
ALL OTHER DIMENSIONAL TOLERANCES:
X = ±.2 [5.08]
XX = ±.02 [51]
XXX = ±.005 [1.27]



APPROVALS	DATE
D. PROSELO	4/15/10
D. CASTRO	4/15/10
Y. BLOMGREN	4/15/10

CONFIGURATION DETAILS OF UNDIMENSIONED FEATURES MAY VARY
COLOR VARIATIONS MAY OCCUR



CATEGORY	ENCLOSURES
PRODUCT DESCRIPTION	SINGLE PORT/SINGLE POST NID ENCLOSURE

SIZE	PSCM NO.	DWG. NO.	REV.
B	43321	NID331-11	A

SCALE: 1:1 CAD FILE: NID331-11.SLDDRW SHEET 1 OF 1