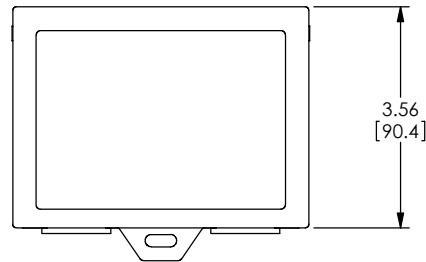


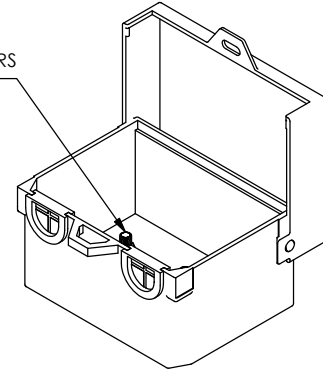
THE INFORMATION CONTAINED IN THIS DRAWING IS THE SOLE PROPERTY OF L-COM, INC. ANY REPRODUCTIONS IN PART OR WHOLE WITHOUT THE WRITTEN PERMISSION OF L-COM, INC. IS PROHIBITED.

REVISIONS			
REV	DESCRIPTION	DATE	CHANGED BY
A	REV A DRAWING RELEASED	07/09/2018	BPUCCHASE

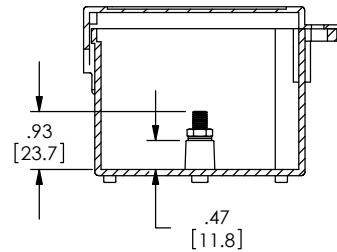
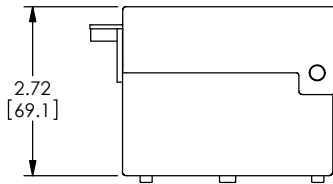
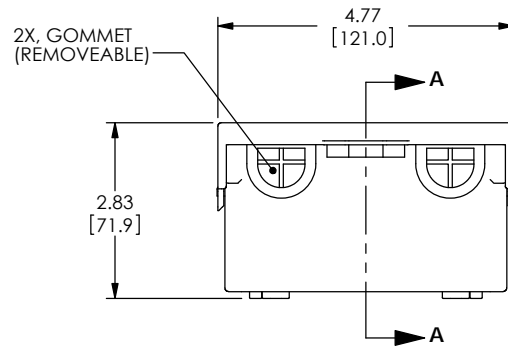
DESCRIPTION	MATERIAL	FINISH
HOUSING	ABS	GRAY
HARDWARE	BRASS	-



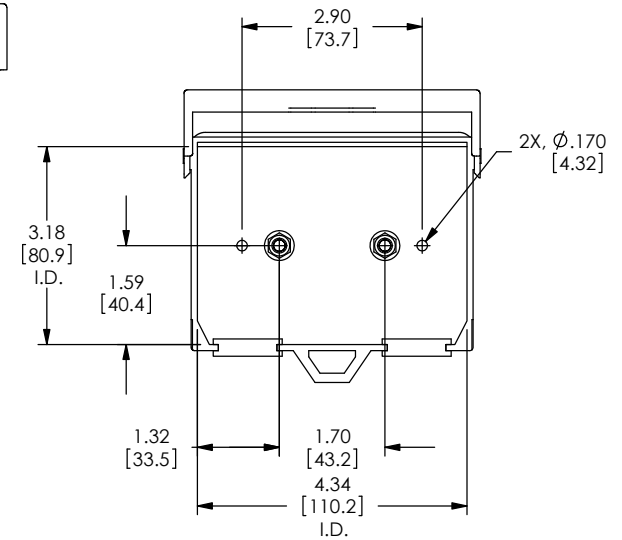
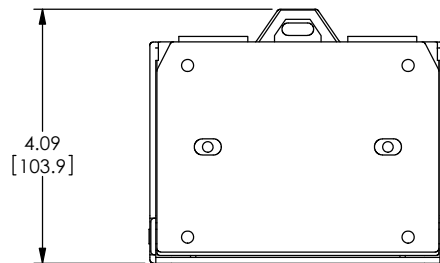
2X, #10 STUD WITH 4 FLAT WAHERS AND 2 JAM NUTS



2X, GOMMET (REMOVEABLE)



SECTION A-A
SCALE 1 : 2



NOTES:

ALL DIMENSIONS ARE FOR REFERENCE ONLY.

REGULATORY COMPLIANCE:
2011/65/EU(RoHS DIRECTIVE)

UNLESS OTHERWISE SPECIFIED,
DIMENSIONS ARE IN INCHES (mm)
OVERALL CABLE LENGTH TOLERANCE:
≤12 (305) ≤±0 (1.27) / -0
>12 (305) ≤±0 (1.27) / -0
>40 (1024) ≤±0 (1.27) / -0
>120 (3048) ≤±0 (1.27) / -0
>300 (7620) ≤±0 (1.27) / -0
ALL OTHER DIMENSIONAL TOLERANCES:
X = ±2 (50.8)
XX = ±0.2 (5.1)
XXX = ±0.05 (1.3)

APPROVALS	DATE
DRAWN BY BPUCCHASE	07/09/2018
CHECKED BY DPRISIELLO	07/09/2018
APPROVED BY MMARTINEZ	07/09/2018

L-com Global Connectivity
50 HIGH STREET
NORTH ANDOVER, MA
01845

CATEGORY
ENCLOSURES

PRODUCT DESCRIPTION
DUAL PORT/DUAL POST NID ENCLOSURE

SIZE	PSCM NO.	DWG. NO.	REV.
B	43321	NID342-22	A



CONFIGURATION DETAILS OF UNDIMENSIONED FEATURES
MAY VARY
COLOR VARIATIONS
MAY OCCUR

SCALE: 1:1 CAD FILE: NID342-22.SLDRAW SHEET 1 OF 1