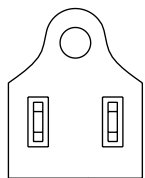
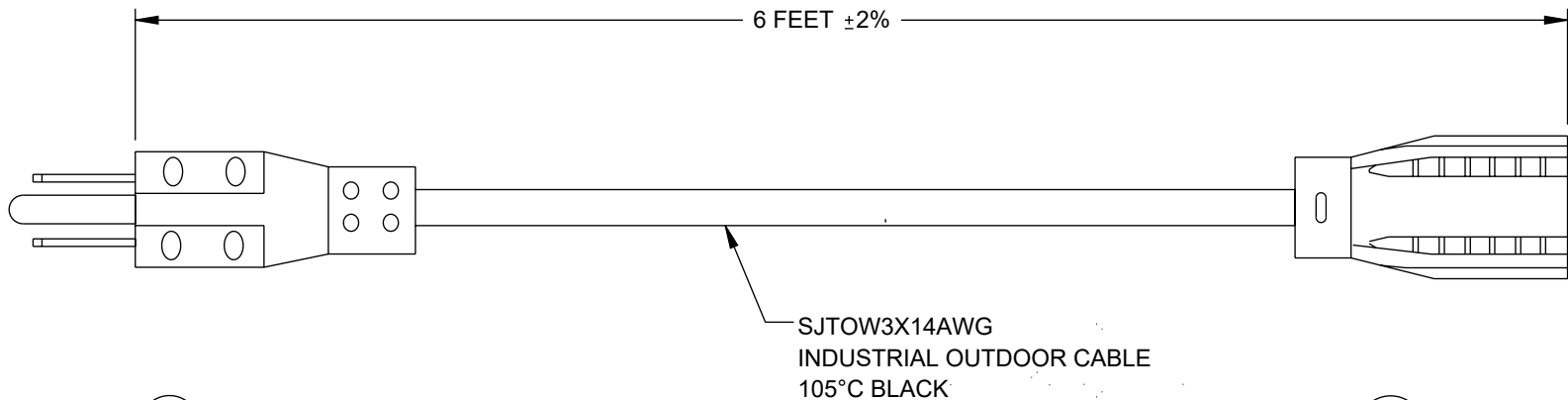
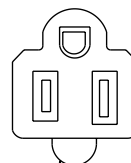


THE INFORMATION CONTAINED IN THIS DRAWING IS THE SOLE PROPERTY OF L-COM, INC. ANY REPRODUCTION IN PART OR WHOLE WITHOUT THE WRITTEN PERMISSION OF L-COM, INC. IS PROHIBITED.

REVISION					
ZONE	REV.	DESCRIPTION	DATE	CHANGED BY	APPROVED BY
	A	INITIAL RELEASE	05/30/2023	BPUCHASKI	GUTTADAURO




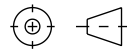
NEMA 5/15 MALE CONNECTOR
BLACK



NEMA 5/15R FEMALE CONNECTOR
BLACK

NOTES:

1. REFERENCE: VOLTAGE RATING 15A/125V
 2. APPROVALS: UL APPROVED
 3. CABLE ASSEMBLY SHALL BE INDIVIDUALLY PACKAGED.
- REGULATORY COMPLIANCE:
EU ROHS DIRECTIVE (MOST RECENT RELEASED VERSION)

UNLESS OTHERWISE SPECIFIED, DIMENSIONS ARE IN INCHES [mm] OVERALL CABLE LENGTH TOLERANCE: ≤12 [305] = +1 [25] / -0 >12 [305] ≤60 [1524] = +2 [51] / -0 >60 [1524] ≤120 [3048] = +4 [102] / -0 >120 [3048] ≤300 [7620] = +6 [152] / -0 >300 [7620] = +5% / -0 ALL OTHER DIMENSIONAL TOLERANCES: .X = ± .2 [5] FRACTIONS ± 1/32 .XX = ± .02 [.5] ANGLES ± 1° .XXX = ± .005 [.13]	APPROVALS	DATE	 50 High Street, West Mill, North Andover, MA 01845 USA. Phone: 1.800.341.5266 1.978.682.6936			
	DRAWN BY BPUCHASKI CHECKED BY DGUST APPROVED BY GUTTADAURO	05/30/2023 05/30/2023 05/30/2023		CATEGORY POWER CORD		
THIRD-ANGLE PROJECTION 	CONFIGURATION DETAILS OF UNDIMENSIONED FEATURES MAY VARY COLOR VARIATIONS MAY OCCUR	PRODUCT DESCRIPTION N5-15P/N5-15R, Industrial STJOW Cord, 125V/15A	SIZE A SCALE: NONE	CAGE CODE 43321 CAD FILE: OWN515N515-15.SLDDRW	ITEM NO. OWN515N515-15	REV. A SHEET 1 OF 1