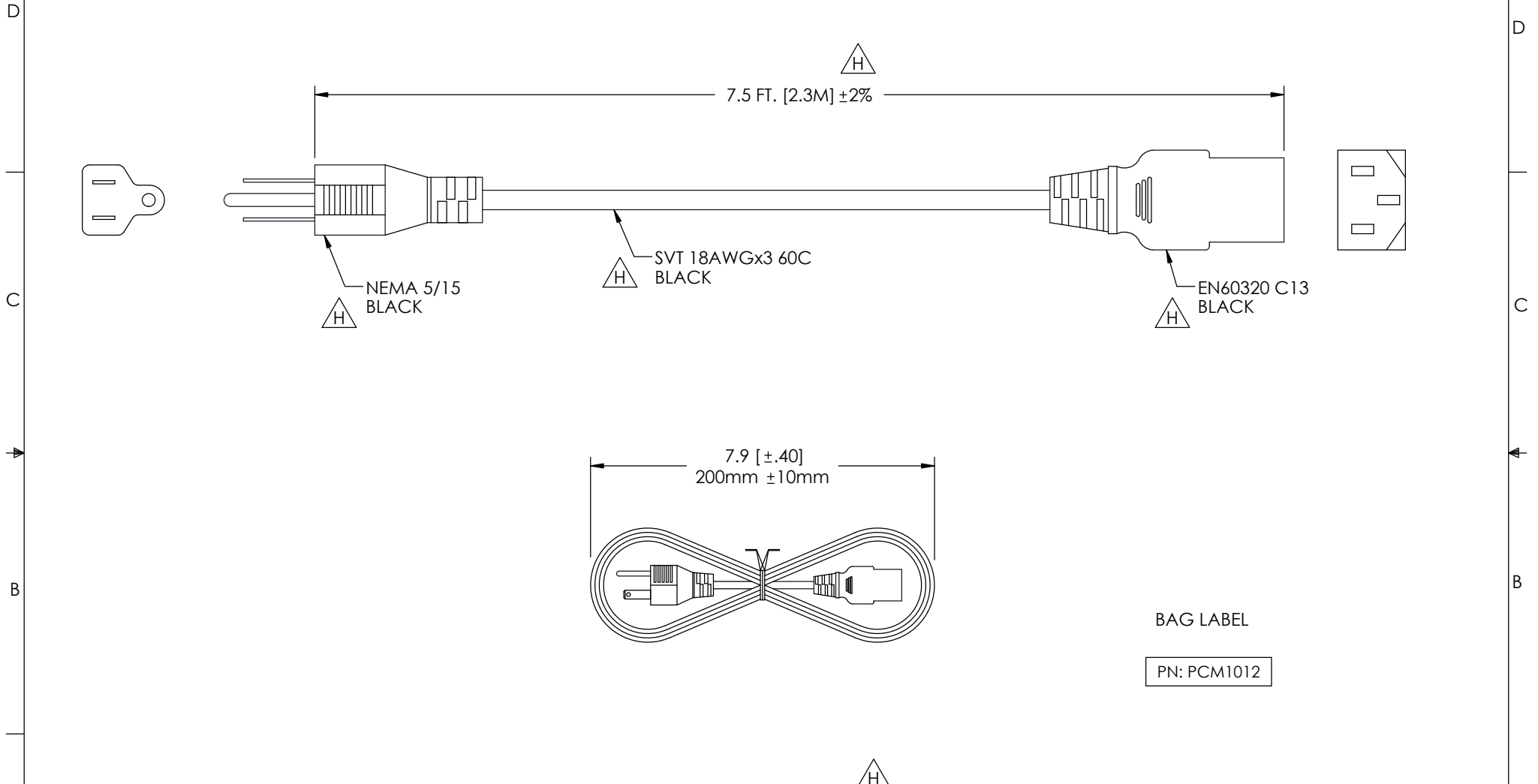


THE INFORMATION CONTAINED IN THIS DRAWING IS THE SOLE PROPERTY OF L-COM, INC. ANY REPRODUCTION IN PART OR WHOLE WITHOUT THE WRITTEN PERMISSION OF L-COM, INC. IS PROHIBITED.

REVISIONS			
REV	DESCRIPTION	DATE	APPROVED
E	ECN 4088: CHG LENGTH FROM 7.5 TO 6.0 FT, ADD -C TO P/N	6/29/09	D.FRISIELLO
F	ECN 4096: REVERT DRAWING BACK TO REV D STATUS	6/30/09	D.FRISIELLO
G	ECN 4776: REMOVED BAG LABEL DIMENSIONS	5/25/10	D. CASTRO
H	ECN 7198: ADDED +/-2% TOLERANCE, REVISED ROHS, FORMAT	12/16/13	D.FRISIELLO



NOTES:

1. RATED 10A/125V
2. UL LISTED, CSA APPROVED
3. LOW LEAD CONTENT<300ppm
4. CORD TO BE PLACED IN A CLEAR BAG WITH WHITE LABEL: "PN: PCM1012"
5. CENTER THE LABEL ON THE CLEAR BAG.

REGULATORY COMPLIANCE:
CE2011/65/EU(RoHS DIRECTIVE)



UNLESS OTHERWISE SPECIFIED, DIMENSIONS ARE IN INCHES [mm] OVERALL CABLE LENGTH TOLERANCE: ≤12 [305] = +1 [25] / -0 >12 [305] ≤60 [1524] = +2 [51] / -0 >60 [1524] ≤120 [3048] = +4 [102] / -0 >120 [3048] ≤300 [7620] = +6 [152] / -0 >300 [7620] = +5% / -0% ALL OTHER DIMENSIONAL TOLERANCES: .X = ± .2 [5.08] .XX = ± .02 [1.51] .XXX = ±.005 [1.13]	APPROVALS DRAWN BY R.POLUBINSKI	DATE 07/31/07	45 BEECHWOOD DRIVE NORTH ANDOVER, MA 01845	
	CHECKED BY D.FRISIELLO	08/03/07		CATEGORY POWER PRODUCTS
	APPROVED BY D.FRISIELLO	08/09/07	PRODUCT DESCRIPTION POWER CORD NEMA 5/15 TO C13	
	PROJECTION 	CONFIGURATION DETAILS OF UNDIMENSIONED FEATURES MAY VARY	COLOR VARIATIONS MAY OCCUR	SCALE: NONE CAD FILE: PCM1012.SLDDRW SHEET 1 OF 1

BAG LABEL
PN: PCM1012