

6

5

4

3

2

1

REVISION

ZONE	REV	DESCRIPTION	DATE	CHANGED BY	APPROVED
	A	INITIAL RELEASE	2/18/2026	KDANG	BGATES

F

F

E

E

D

D

C

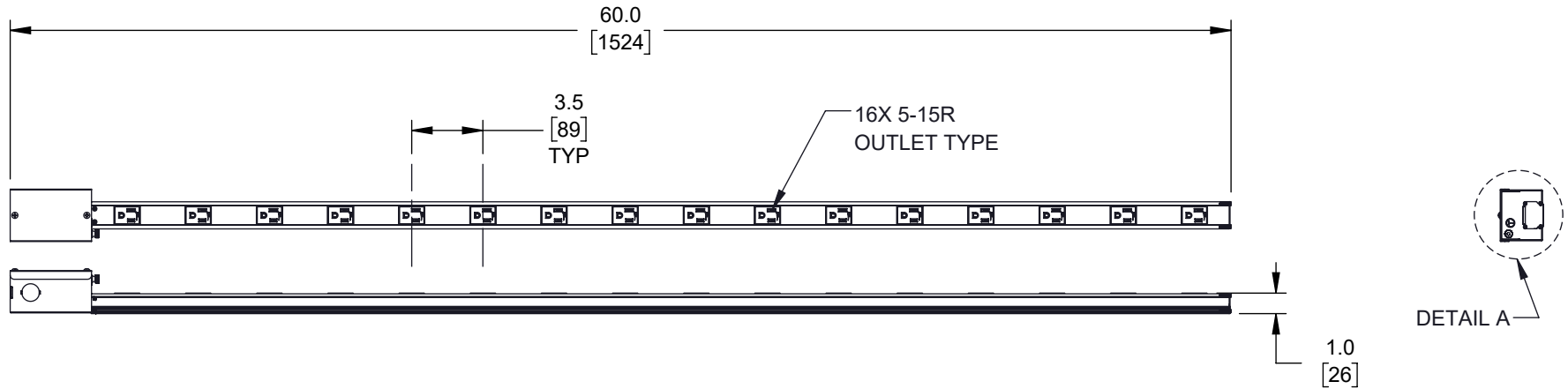
C

B

B

A

A



DIMENSIONS & MEASUREMENTS

Amps	15 Amp
Depth	2.1 in (5.3 cm)
Height	60 in (152.4 cm)
Volts AC	120 VAC
Width	2.58 in (6.6 cm)

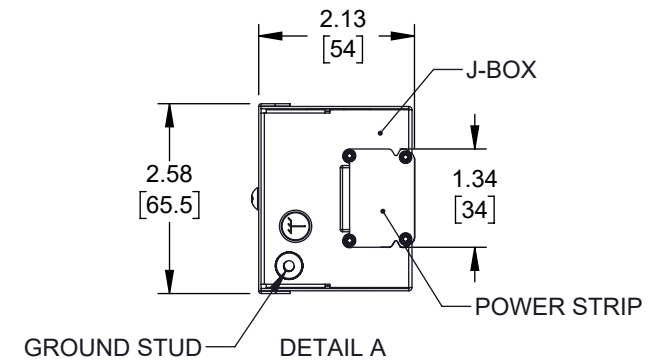
CHARACTERISTICS & FEATURES

Cable Type	Hard-Wired
Finish	Black Anodized
Local Meter	No
Number of Circuits	2
Outlet Count	16
Plug Type	J-Box
UPC	656747191763

NOTES:

- ON CORDED MODELS ALLOW FOR A MINIMUM OF 2 [51] CORED BENDING SPACE.
- PDT SERIES INCLUDE SIGNAL SAFE POWER CORED TECHNOLOGY

THE INFORMATION CONTAINED IN THIS DRAWING IS THE SOLE PROPERTY OF INFINITE ELECTRONICS, INC. ANY REPRODUCTION IN PART OR WHOLE WITHOUT THE WRITTEN PERMISSION OF INFINITE ELECTRONICS, INC. IS PROHIBITED. THESE COMMODITIES, TECHNOLOGY OR SOFTWARE WERE EXPORTED FROM THE UNITED STATES IN ACCORDANCE WITH THE EXPORT ADMINISTRATION REGULATIONS. DIVERSION CONTRARY TO U.S. LAW PROHIBITED.



UNLESS OTHERWISE SPECIFIED
LEADING DIMENSIONS ARE INCHES
DIMENSIONS IN [] ARE MILLIMETERS

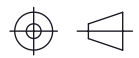
TOLERANCES:
 X = ±.2 [5] FRACTIONS
 .XX = ±.02 [0.5] ± 1/32
 .XXX = ±.005 [0.13] ANGLES ± 1°

CABLE LENGTH TOLERANCES:
 ≤12 [305] = +1 [25] / -0
 >12 [305] ≤ 60 [1524] = +2 [51] / -0
 >60 [1524] ≤ 120 [3048] = +4 [102] / -0
 >120 [3048] ≤ 300 [7620] = +6 [152] / -0
 >300 [7620] = +5% / -0

ALL DIMENSIONS ARE FOR REFERENCE ONLY
AND SUBJECT TO CHANGE WITHOUT NOTICE.
UN-DIMENSIONED/NON-CRITICAL FEATURES
MAY VARY IN SIZE AND LOCATION
COLORS MAY VARY

L-com
an INFINIT@ brand

Website: www.L-com.com
Phone: 1.800.341.5266 | 1.978.682.6936



INTERPRET ALL DIMENSIONS AND
TOLERANCES PER ASME Y14.5

SCALE	SHEET
NONE	1 OF 1

DESCRIPTION				
16 OUTLETS, 2X15A, JBOX				
SIZE	CAGE CODE	DRAWN BY	ITEM NO.	REV
A	43321	KDANG	PDT-2X815	A

6

5

4

3

2

1