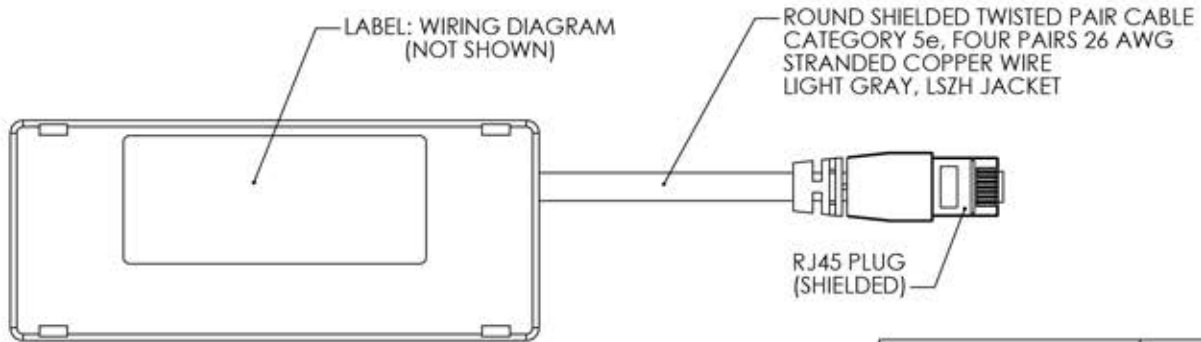
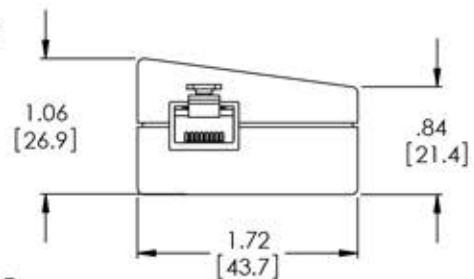
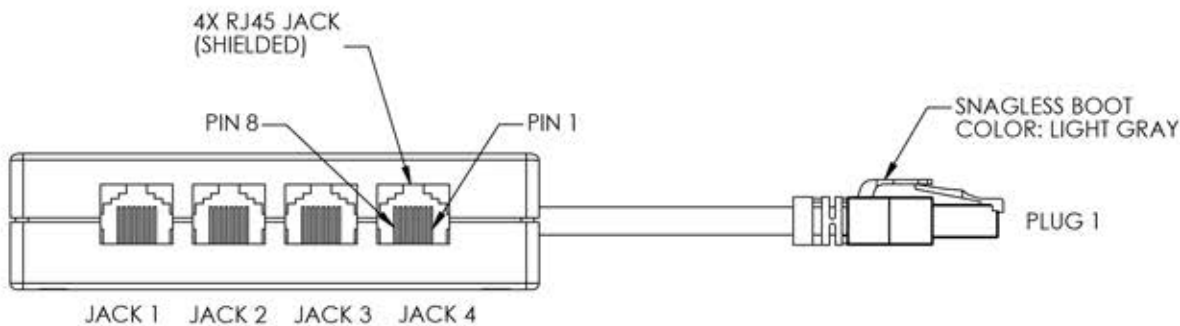
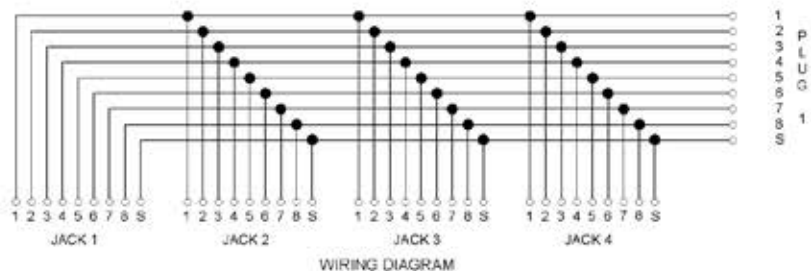
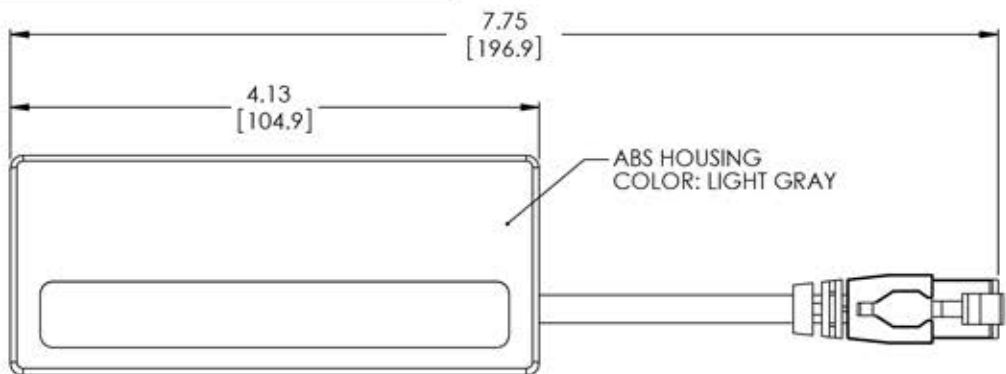


THE INFORMATION CONTAINED IN THIS DRAWING IS THE SOLE PROPERTY OF L-COM, INC. ANY REPRODUCTION IN PART OR WHOLE WITHOUT THE WRITTEN PERMISSION OF L-COM, INC. IS PROHIBITED.

REVISIONS			
REV	DESCRIPTION	DATE	APPROVED
A	RELEASED FOR PRODUCTION BY Z. W.	1/31/02	D. PARHAM
B	ECN3656: UPDATED CABLE SPEC. UPDATED DRAWING FORMAT.	10/21/08	D. PARHAM
-	-	-	-
-	-	-	-



- NOTE:
1. ASSEMBLY COMES WITH 2 SELF-ADHERING FOAM STRIPS.
  2. INTERNAL CONNECTIONS MADE WITH INTEGRAL CIRCUIT BOARD.

UNLESS OTHERWISE SPECIFIED, DIMENSIONS ARE IN INCHES [mm]	APPROVALS	DATE		45 BEECHWOOD DRIVE NORTH ANDOVER, MA 01845		
	DRAWN BY D. PARHAM	12/14/2001		CATEGORY	MODULAR	
OVERALL CABLE LENGTH TOLERANCE: $\leq 12$ [305] = +1 [25] / -0 $> 12$ [305] $\leq 60$ [1524] = +2 [51] / -0 $> 60$ [1524] $\leq 120$ [3048] = +4 [102] / -0 $> 120$ [3048] $\leq 300$ [7620] = +6 [152] / -0 $> 300$ [7620] = +3% / -0%	CREATED BY I. CLARK	12/17/2001	PRODUCT DESCRIPTION			
ALL OTHER DIMENSIONAL TOLERANCES: $X = .3$ $.XX = .15$	APPROVED BY R. CARRICK	1/21/2002	SPLTR 4(8X8)JK/(8X8)M			
PROJECTION 	CONFIGURATION DETAILS OF UNDIMENSIONED FEATURES MAY VARY	COLOR VARIATIONS MAY OCCUR	SIZE <b>A</b>	FSCM NO. <b>43321</b>	DWG. NO. <b>PMOD4S-1</b>	REV. <b>B</b>
			SCALE: NONE	CAD FILE: PMOD4S-1.SLDDRW	SHEET 1 OF 1	