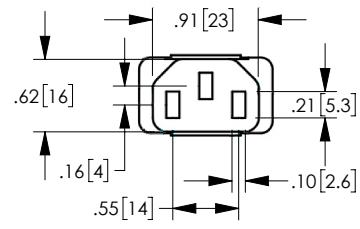
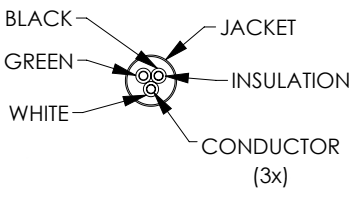
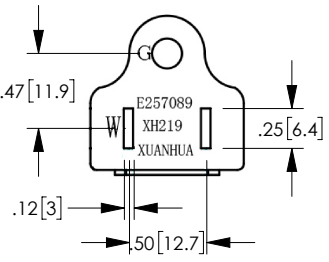
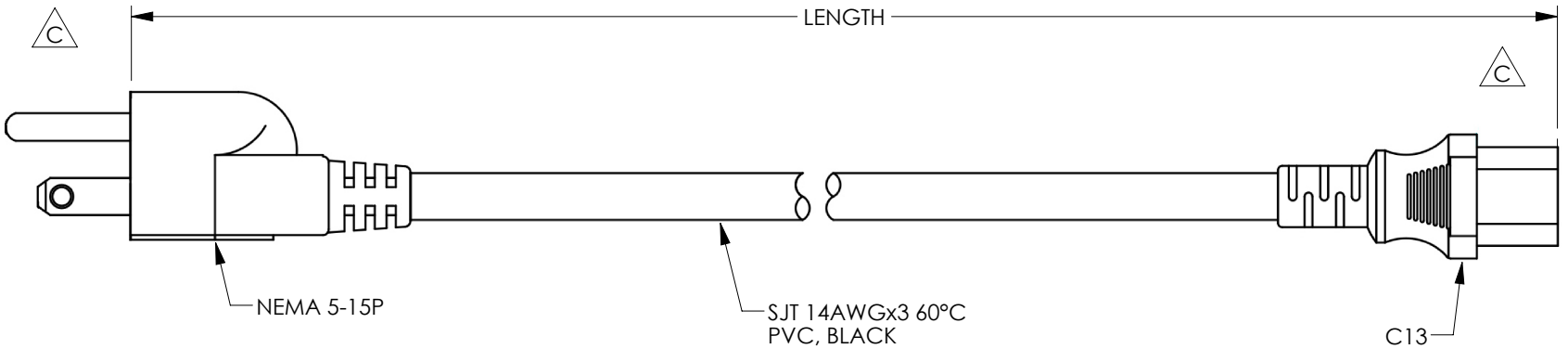


THE INFORMATION CONTAINED IN THIS DRAWING IS THE SOLE PROPERTY OF L-COM, INC. ANY REPRODUCTION IN PART OR WHOLE WITHOUT THE WRITTEN PERMISSION OF L-COM, INC. IS PROHIBITED.


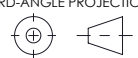
REVISIONS			
REV	DESCRIPTION	DATE	APPROVED
A	REV A DRAWING RELEASED	11/12/2018	BPUCHASKI
B	ECN 10495: REVISED TEMP RATING TO 60 C	05/18/2020	BGATES
C	ECN 11873: REMOVE DIMENSIONS	5/31/22	DGUITADAURO



PART NUMBER	LENGTH FEET	LENGTH METERS
PPA00011-01F	1.0	.30
PPA00011-02F	2.0	.61
PPA00011-03F	3.0	.91
PPA00011-06F	6.0	1.83
PPA00011-08F	8.0	2.44
PPA00011-15F	15.0	4.57
PPA00011-25F	25.0	7.62

NOTES:

- VOLTAGE RATING: AC \geq 1500V/S
- CONNECTOR MALE POWER RATING: NEMA 5-15P UL-E257089
- CONNECTOR C13 POWER RATING: 15A UL-E257089
- CABLE: SJT 14AWGx3, 300V, 60°C VW-1 E313867 FT1
- CABLE ASSEMBLY SHALL BE INDIVIDUALLY PACKAGED IN ACCORDANCE WITH SPEC. PS-0031.

UNLESS OTHERWISE SPECIFIED, DIMENSIONS ARE IN INCHES [mm] OVERALL CABLE LENGTH TOLERANCE: ≤12 [305] = +1 [25] / -0 >12 [305] ≤60 [1524] = +2 [51] / -0 >60 [1524] ≤120 [3048] = +4 [102] / -0 >120 [3048] ≤300 [7620] = +6 [152] / -0 >300 [7620] = +5% / -0 ALL OTHER DIMENSIONAL TOLERANCES: .X = ± .2 [5] FRACTIONS ± 1/32 .XX = ± .02 [5] ANGLES ± 1° .XXX = ± .005 [1.3]	APPROVALS DRAWN BY BPUCHASKI CHECKED BY DFRISIELLO APPROVED BY BGATES	DATE 10/29/2018 10/29/2018 10/29/2018	 an INFINITO brand 50 High Street, West Mill, North Andover, MA 01845 USA. Phone: 1.800.341.5266 1.978.682.6936	
	THIRD-ANGLE PROJECTION 	CONFIGURATION DETAILS OF UNDIMENSIONED FEATURES MAY VARY COLOR VARIATIONS MAY OCCUR		CATEGORY POWER PRODUCT PRODUCT DESCRIPTION Universal CPU Power Cord - NEMA 5-15P to C13 - 15Amp