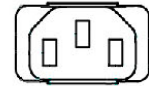
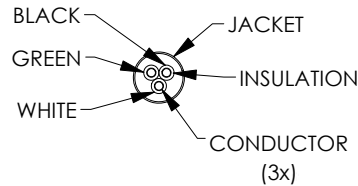
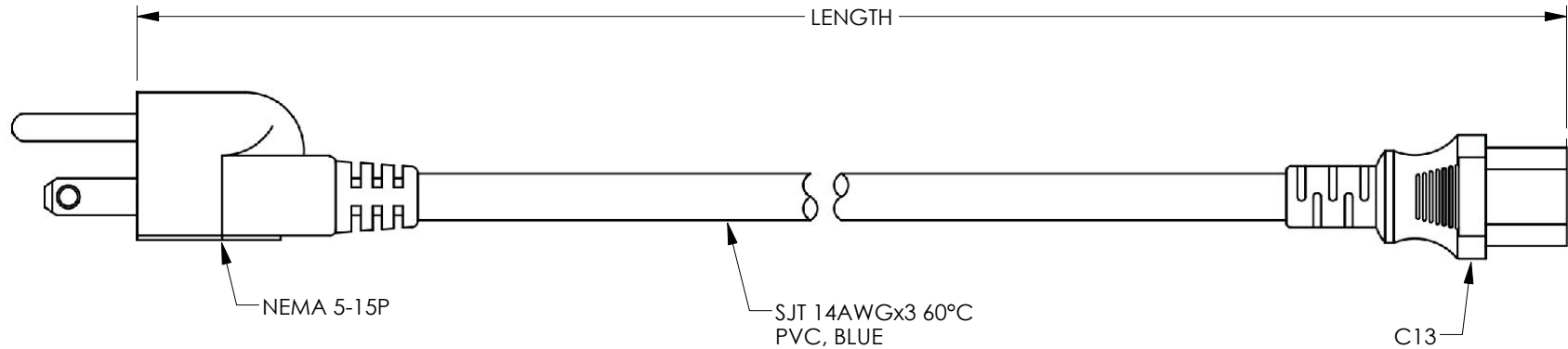


THE INFORMATION CONTAINED IN THIS DRAWING IS THE SOLE PROPERTY OF L-COM, INC. ANY REPRODUCTION IN PART OR WHOLE WITHOUT THE WRITTEN PERMISSION OF L-COM, INC. IS PROHIBITED.


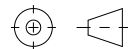
| REVISIONS |                 |            |            |
|-----------|-----------------|------------|------------|
| REV       | DESCRIPTION     | DATE       | APPROVED   |
| A         | INITIAL RELEASE | 02/03/2021 | MBLACKWOOD |
|           |                 |            |            |
|           |                 |            |            |



| PART NUMBER    | LENGTH FEET | LENGTH METERS |
|----------------|-------------|---------------|
| PPA00011BL-01F | 1.0         | .30           |
| PPA00011BL-02F | 2.0         | .61           |
| PPA00011BL-03F | 3.0         | .91           |
| PPA00011BL-06F | 6.0         | 1.83          |
| PPA00011BL-08F | 8.0         | 2.44          |
| PPA00011BL-15F | 15.0        | 4.57          |

**NOTES:**

- VOLTAGE RATING: AC  $\geq$  1500V/S
- CONNECTOR MALE POWER RATING: NEMA 5-15P UL-E257089
- CONNECTOR C13 POWER RATING: 15A UL-E257089
- CABLE: SJT 14AWGx3, 300V, 60°C VW-1 E313867 FT1
- CABLE ASSEMBLY SHALL BE INDIVIDUALLY PACKAGED IN ACCORDANCE WITH SPEC. PS-0031.
- ALL DIMENSIONS FOR REFERENCE ONLY

|  |  |  |  |
|--|--|--|--|
| UNLESS OTHERWISE SPECIFIED, DIMENSIONS ARE IN INCHES [mm]<br>OVERALL CABLE LENGTH TOLERANCE:<br>≤12 [305] = +1 [25] / -0<br>>12 [305] ≤60 [1524] = +2 [51] / -0<br>>60 [1524] ≤120 [3048] = +4 [102] / -0<br>>120 [3048] ≤300 [7620] = +6 [152] / -0<br>>300 [7620] = +5% / -0<br>ALL OTHER DIMENSIONAL TOLERANCES:<br>.X = ± .2 [5]      FRACTIONS ± 1/32<br>.XX = ± .02 [.5]      ANGLES ± 1°<br>.XXX = ± .005 [.13] | APPROVALS<br>DRAWN BY: BPUCHASKI<br>CHECKED BY: DZINN<br>APPROVED BY: MBLACKWOOD       | DATE<br>02/03/2021<br>02/03/2021<br>02/03/2021 | <br>an INFINITI® brand<br>50 High Street, West Mill,<br>North Andover, MA 01845 USA.<br>Phone: 1.800.341.5266<br>1.978.682.6936 |
|  | CONFIGURATION DETAILS OF UNDIMENSIONED FEATURES MAY VARY<br>COLOR VARIATIONS MAY OCCUR | CATEGORY<br><b>POWER PRODUCT</b>               | PRODUCT DESCRIPTION<br><b>Universal CPU Power Cord - NEMA 5-15P to C13 - 15Amp</b>   |
| THIRD-ANGLE PROJECTION<br>  | SIZE <b>A</b> CAGE CODE <b>43321</b> ITEM NO. <b>PPA00011BL</b> REV. <b>A</b>          |  |  |