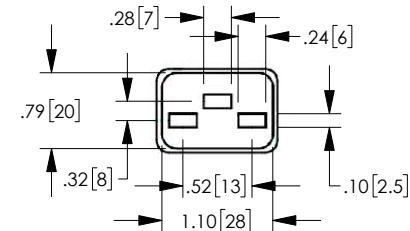
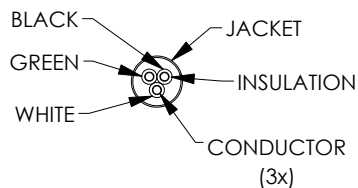
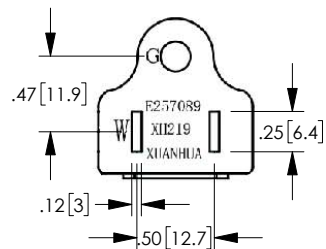
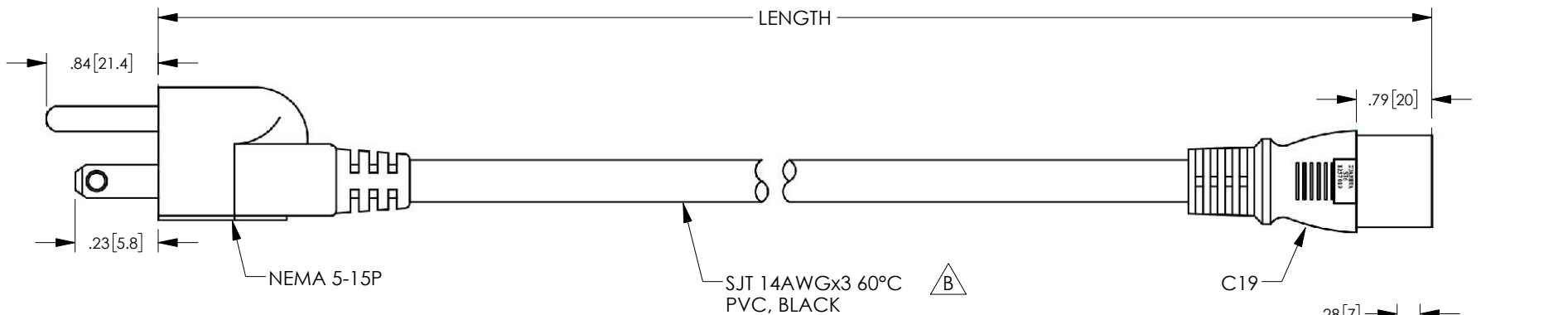


THE INFORMATION CONTAINED IN THIS DRAWING IS THE SOLE PROPERTY OF L-COM, INC. ANY REPRODUCTION IN PART OR WHOLE WITHOUT THE WRITTEN PERMISSION OF L-COM, INC. IS PROHIBITED.


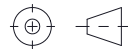
REVISIONS			
REV	DESCRIPTION	DATE	APPROVED
A	REV A DRAWING RELEASED	11/12/2018	BPUCHASKI
B	ECN 10496: REVISED TEMP RAITING TO 60 C	05/19/2020	BGATES



PART NUMBER	LENGTH FEET	LENGTH METERS
PPA00012-01F	1.0	.30
PPA00012-02F	2.0	.61
PPA00012-03F	3.0	.91
PPA00012-06F	6.0	1.83
PPA00012-10F	10.0	3.05
PPA00012-15F	15.0	4.57
PPA00012-25F	25.0	7.62

**NOTES:**

- VOLTAGE RATING: AC  $\geq$  1500V/S
- CONNECTOR MALE POWER RATING: NEMA 5-15P UL-E257089
- CONNECTOR C19 POWER RATING: 15A UL-E257089
- CABLE: SJT 14AWGx3, 300V, 60°C VW-1 E313867 FT1
- CABLE ASSEMBLY SHALL BE INDIVIDUALLY PACKAGED IN ACCORDANCE WITH SPEC. PS-0031.

UNLESS OTHERWISE SPECIFIED, DIMENSIONS ARE IN INCHES [mm] OVERALL CABLE LENGTH TOLERANCE: ≤12 [305] = +1 [25] / -0 >12 [305] ≤60 [1524] = +2 [51] / -0 >60 [1524] ≤120 [3048] = +4 [102] / -0 >120 [3048] ≤300 [7620] = +6 [152] / -0 >300 [7620] = +5% / -0 ALL OTHER DIMENSIONAL TOLERANCES: .X = ± .2 [5]   FRACTIONS ± 1/32 .XX = ± .02 [5]   ANGLES ± 1° .XXX = ± .005 [13]	APPROVALS	DATE	 50 High Street, West Mill, North Andover, MA 01845 USA. Phone: 1.800.341.5266 1.978.682.6936
	DRAWN BY BPUCHASKI	10/29/2018	
THIRD-ANGLE PROJECTION 	CHECKED BY DFRISIELLO	10/29/2018	PRODUCT DESCRIPTION <b>Server Power Cord - NEMA 5-15P to C19 - 15Amp</b>
	APPROVED BY BGATES	10/29/2018	SIZE <b>A</b>
	CONFIGURATION DETAILS OF UNDIMENSIONED FEATURES MAY VARY		CAGE CODE <b>43321</b>
	COLOR VARIATIONS MAY OCCUR		ITEM NO. <b>PPA00012</b>
			REV. <b>B</b>
			SCALE: NONE
			CAD FILE: PPA00012.SLDDRW
			SHEET 1 OF 1