

6

5

4

3

2

1

REVISION					
ZONE	REV	DESCRIPTION	DATE	CHANGED BY	APPROVED
	A	INITIAL RELEASE	10/12/2023	DMAY	PHOSPODAR

F

F

E

E

D

D

C

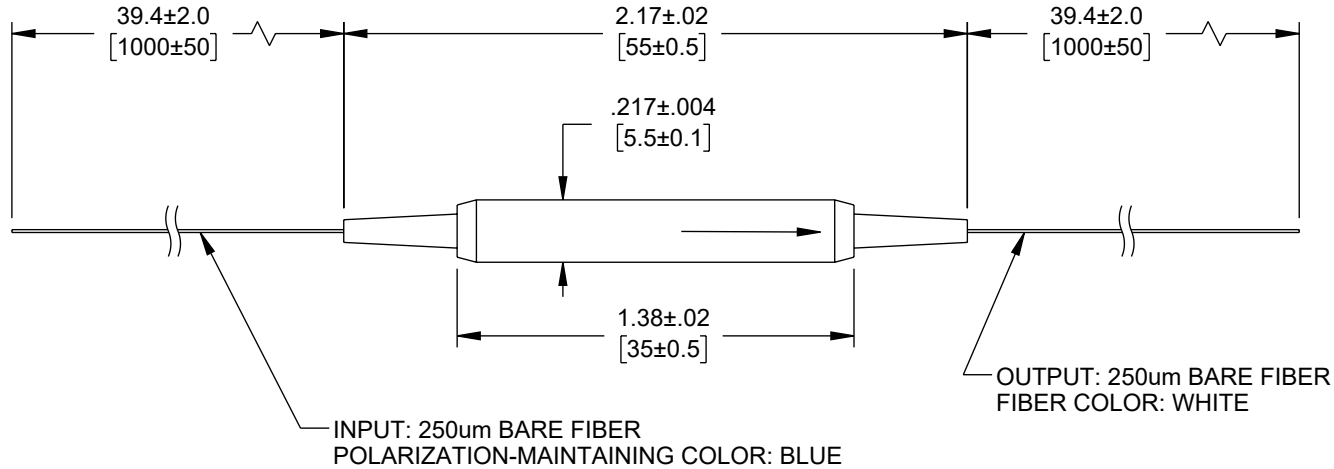
C

B

B

A

A



NOTES:

1. ALL DIMENSIONS ARE FOR REFERENCE ONLY.
2. OPERATING WAVELENGTH: 1550nm.
3. COMPONENT SHALL BE INDIVIDUALLY PACKAGED IN ACCORDANCE WITH L-COM SPECIFICATION PS-0031.

REGULATORY COMPLIANCE:
 EU RoHS DIRECTIVE (MOST RECENT RELEASED VERSION)

THE INFORMATION CONTAINED IN THIS DRAWING IS THE SOLE PROPERTY OF INFINITE ELECTRONICS, INC. ANY REPRODUCTION IN PART OR WHOLE WITHOUT THE WRITTEN PERMISSION OF INFINITE ELECTRONICS, INC. IS PROHIBITED. THESE COMMODITIES, TECHNOLOGY OR SOFTWARE WERE EXPORTED FROM THE UNITED STATES IN ACCORDANCE WITH THE EXPORT ADMINISTRATION REGULATIONS. DIVERSION CONTRARY TO U.S. LAW PROHIBITED.

UNLESS OTHERWISE SPECIFIED LEADING DIMENSIONS ARE INCHES DIMENSIONS IN [] ARE MILLIMETERS	
TOLERANCES:	
X = ±.2 [5]	FRACTIONS ± 1/32
.XX = ±.02 [0.5]	ANGLES ± 1°
.XXX = ±.005 [0.13]	
CABLE LENGTH TOLERANCES:	
≤12 [305]	≤ +1 [25] / -0
>12 [305] ≤ 60 [1524]	≤ +2 [51] / -0
>60 [1524] ≤ 120 [3048]	≤ +4 [102] / -0
>120 [3048] ≤ 300 [7620]	≤ +6 [152] / -0
>300 [7620]	≤ +5% / -0
ALL DIMENSIONS ARE FOR REFERENCE ONLY AND SUBJECT TO CHANGE WITHOUT NOTICE UN-DIMENSIONED/NON-CRITICAL FEATURES MAY VARY IN SIZE AND LOCATION COLORS MAY VARY	



Website: www.L-com.com
 Phone: 1.800.341.5266 | 1.978.682.6936

INTERPRET ALL DIMENSIONS AND TOLERANCES PER ASME Y14.5	
SCALE	SHEET
NONE	1 OF 1

DESCRIPTION				ITEM NO.	REV
PM SINGLE STAGE FIBER ISOLATOR, GRADE P, 1550nm POLARIZATION DEPENDENT, NO CONNECTORS, 250um BARE FIBER - 1M				PPMSI-P55-12N	A
SIZE	CAGE CODE	DRAWN BY			
A	43321	DMAY			

6

5

4

3

2

1