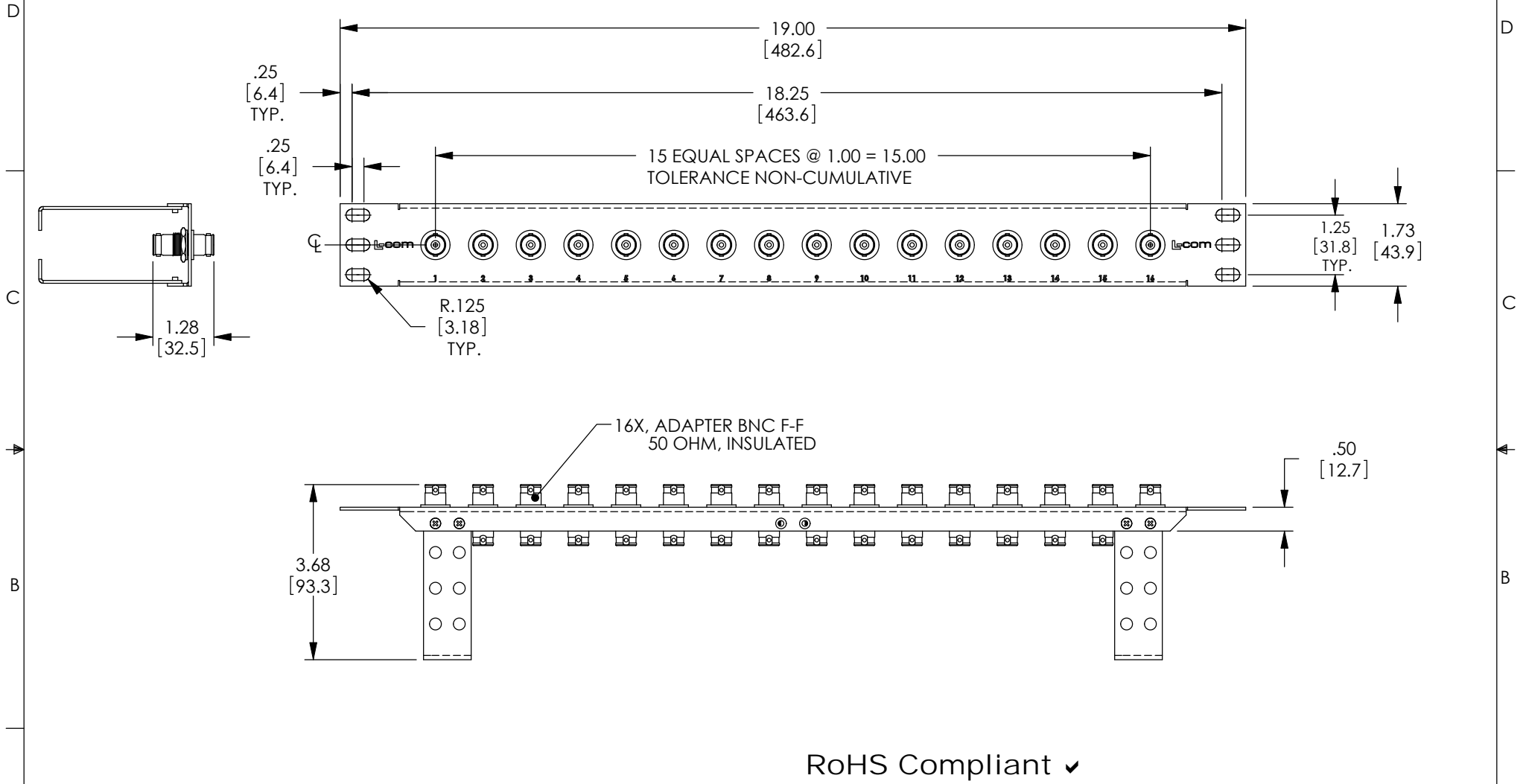


THE INFORMATION CONTAINED IN THIS DRAWING IS THE SOLE PROPERTY OF L-COM, INC. ANY REPRODUCTION IN PART OR WHOLE WITHOUT THE WRITTEN PERMISSION OF L-COM, INC. IS PROHIBITED.

REVISIONS			
REV	DESCRIPTION	DATE	APPROVED
A	RELEASED TO PRODUCTION	11/27/00	R.CARRICK.
B	ECN 5336: RE-MODELED AND RE-DIMENSIONED, NEW FORMAT	2/23/11	D.FRISIELLO



RoHS Compliant ✓

- NOTES:
1. MATERIAL: .06 THICK COLD ROLLED STEEL.
 2. PANEL FINISH: FLAT BLACK POWDER COAT.
 3. SILKSCREEN COLOR: WHITE.
 4. PANEL SHALL BE PACKAGED IN ACCORDANCE WITH L-COM SPECIFICATION PS-0014.

UNLESS OTHERWISE SPECIFIED, DIMENSIONS ARE IN INCHES [mm] OVERALL CABLE LENGTH TOLERANCE: ≤12 [305] = +1 [25] / -0 >12 [305] ≤60 [1524] = +2 [51] / -0 >60 [1524] ≤120 [3048] = +4 [102] / -0 >120 [3048] ≤300 [7620] = +6 [152] / -0 >300 [7620] = +3% / -0% ALL OTHER DIMENSIONAL TOLERANCES: .X = ±.2 .XX = ±.02 .XXX = ±.005	APPROVALS DRAWN BY RON CARRICK	DATE 11/22/2000		45 BEECHWOOD DRIVE NORTH ANDOVER, MA 01845	
	CHECKED BY ENG	11/27/2000		CATEGORY RACK PANELS	
	APPROVED BY DFP	11/27/2000	PRODUCT DESCRIPTION 1.75"X19" W/16 BNC F-F +CMB, BLK		
	PROJECTION 	CONFIGURATION DETAILS OF UNDIMENSIONED FEATURES MAY VARY COLOR VARIATIONS MAY OCCUR	SIZE A	FSCM NO. 43321	DWG. NO. PR175B16CMB
SCALE: NONE		CAD FILE: PR175B16CMB.SLDDRW		SHEET 1 OF 1	