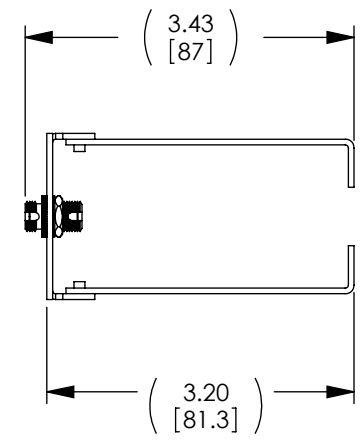
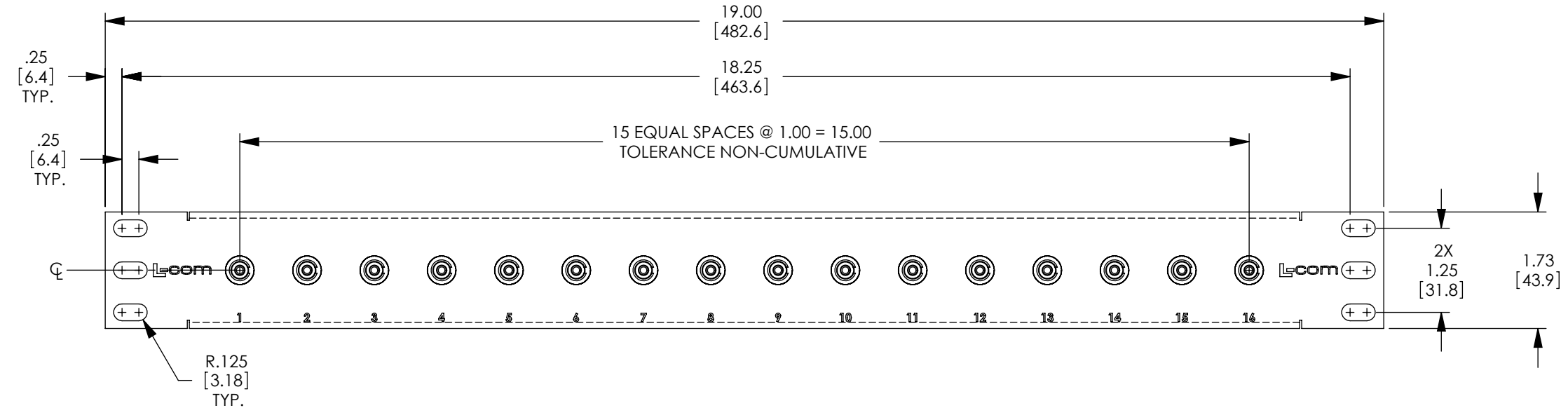
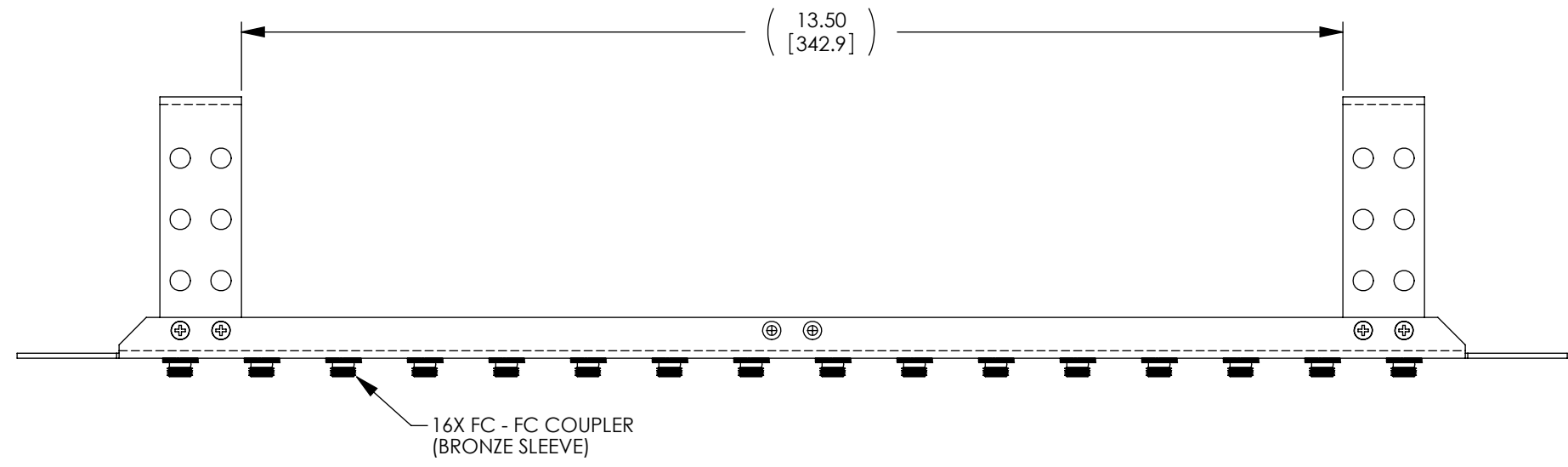


THE INFORMATION CONTAINED IN THIS DRAWING IS THE SOLE PROPERTY OF L-COM, INC. ANY REPRODUCTIONS IN PART OR WHOLE WITHOUT THE WRITTEN PERMISSION OF L-COM, INC. IS PROHIBITED.

REVISIONS			
REV	DESCRIPTION	DATE	CHANGED BY
A	RELEASED TO PRODUCTION	02/01/01	D.PARHAM
B	ECN#2620 UPDATE FORMATS, ADD METRIC DIMENSIONS, UPDATE NOTES	11/08/06	MCCORMICK
C	ECN 5376; RE-MODELED AND RE-DIMENSIONED	3/16/11	D.FRISIELLO



- NOTES:
1. MATERIAL: .06 THICK COLD ROLLED STEEL.
 2. PANEL FINISH: FLAT BLACK POWDER COAT.
 3. SILKSCREEN COLOR: WHITE.
 4. PANEL ASSEMBLY SHALL BE PACKAGED IN ACCORDANCE WITH L-COM SPECIFICATION PS-0014.
 5. PANEL ASSEMBLY IS SHIPPED WITH DUST CAPS INSTALLED. (NOT SHOWN)

RoHS Compliant ✓

UNLESS OTHERWISE SPECIFIED, DIMENSIONS ARE IN INCHES [mm]
 OVERALL CABLE LENGTH TOLERANCE:
 ≤12 [305] = +1 [25] / -0
 >12 [305] ≤60 [1524] = +2[51] / -0
 >60 [1524] ≤120 [3048] = +4 [102] / -0
 >120 [3048] ≤300 [7620] = +6 [152] / -0
 >300 [7620] = +5% / -0%
 ALL OTHER DIMENSIONAL TOLERANCES:
 .X = ±.2
 .XX = ±.02
 .XXX = ±.005



APPROVALS	DATE
DRAWN BY D.PARHAM	02/01/2001
CHECKED BY T.CLARK	02/01/2001
APPROVED BY R.CARRICK	02/01/2001

CONFIGURATION DETAILS OF UNDIMENSIONED FEATURES MAY VARY
 COLOR VARIATIONS MAY OCCUR

L-com Global Connectivity 45 BEECHWOOD DRIVE NORTH ANDOVER, MA 01845

CATEGORY RACK PANELS			
PRODUCT DESCRIPTION 1U RACK MNT PNL W/16 FC MM CPLR+CM			
SIZE B	FSCM NO. 43321	DWG. NO. PR175FC16CMB	REV. C
SCALE: 1:2		CAD FILE: PR175FC16CMB.SLDRW	SHEET 1 OF 1