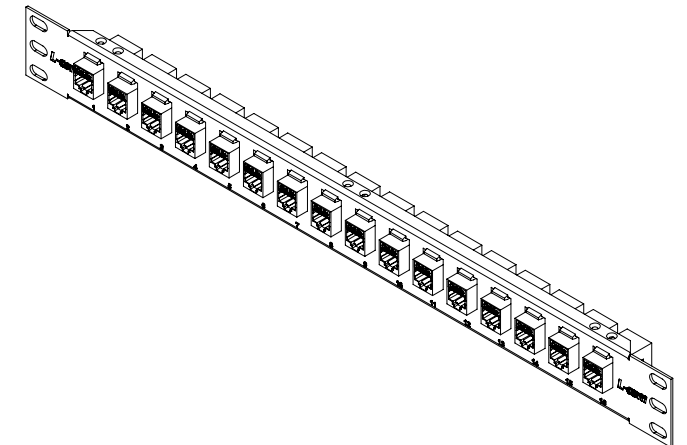
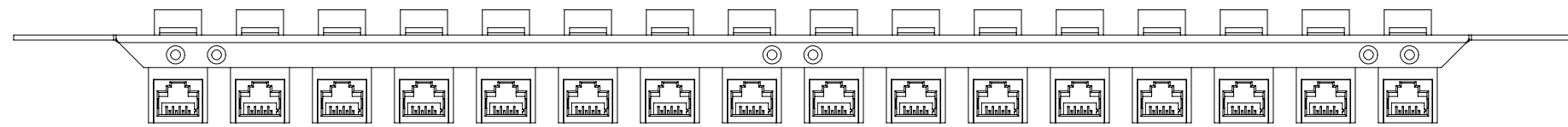
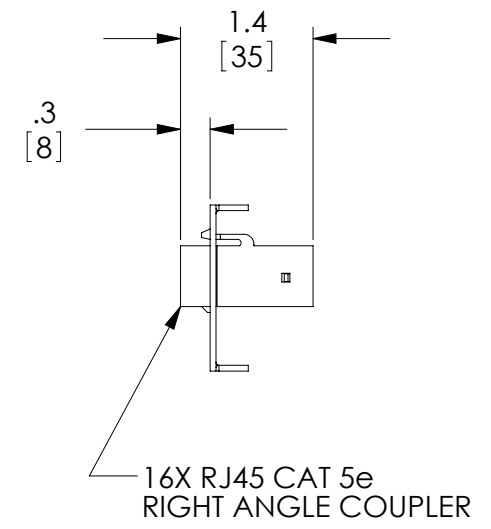
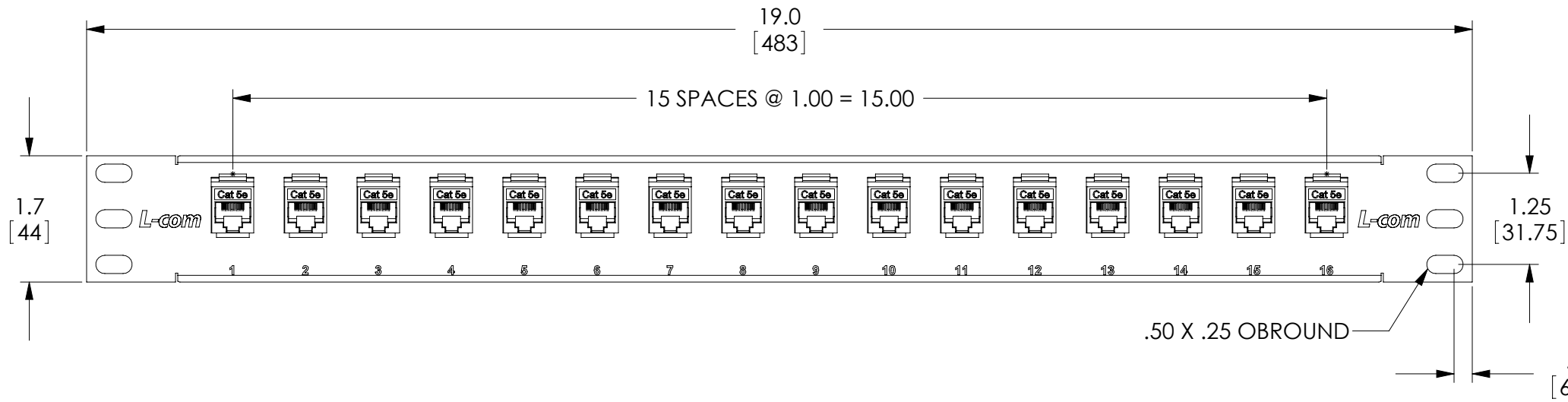


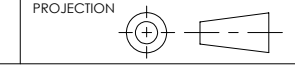
THE INFORMATION CONTAINED IN THIS DRAWING IS THE SOLE PROPERTY OF L-COM, INC. ANY REPRODUCTIONS IN PART OR WHOLE WITHOUT THE WRITTEN PERMISSION OF L-COM, INC. IS PROHIBITED.

REVISIONS			
REV	DESCRIPTION	DATE	CHANGED BY
A	INITIAL RELEASE	5/25/10	D.GRIFFIN



- NOTE:
1. PANEL MATERIAL: .060 COLD ROLLED STEEL
 2. PANEL FINISH COLOR: BLACK
 3. TEXT COLOR: WHITE
 4. PACKAGE IN ACCORDANCE WITH L-COM SPECIFICATION PS-0014

UNLESS OTHERWISE SPECIFIED, DIMENSIONS ARE IN INCHES [mm]
 OVERALL CABLE LENGTH TOLERANCE:
 ≤12 [305] = +1 [25] / -0
 >12 [305] ≤60 [1524] = +2[51] / -0
 >60 [1524] ≤120 [3048] = +4 [102] / -0
 >120 [3048] ≤300 [7620] = +6 [152] / -0
 >300 [7620] = +5% / -0%
 ALL OTHER DIMENSIONAL TOLERANCES:
 .X = ±.2
 .XX = ±.02
 .XXX = ±.005



APPROVALS	DATE
DRAWN BY D. PARHAM	04/08/2010
CHECKED BY D. CASTRO	04/09/2010
APPROVED BY K. BLOMGREN	04/09/2010

L-com Global Connectivity
 45 BEECHWOOD DRIVE
 NORTH ANDOVER, MA
 01845

CATEGORY RACK PANELS			
PRODUCT DESCRIPTION 1U PNL 16-RT ANGLE CAT5E CPLR			
SIZE B	FSCM NO. 43321	DWG. NO. PR175R5E-16	REV. A
SCALE: 1:2		CAD FILE: PR175R5E-16.SLDDRW	
SHEET 1 OF 1			