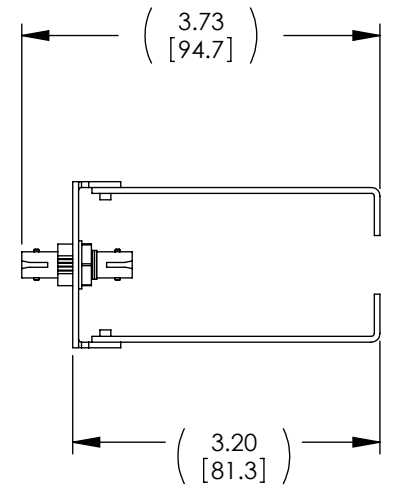
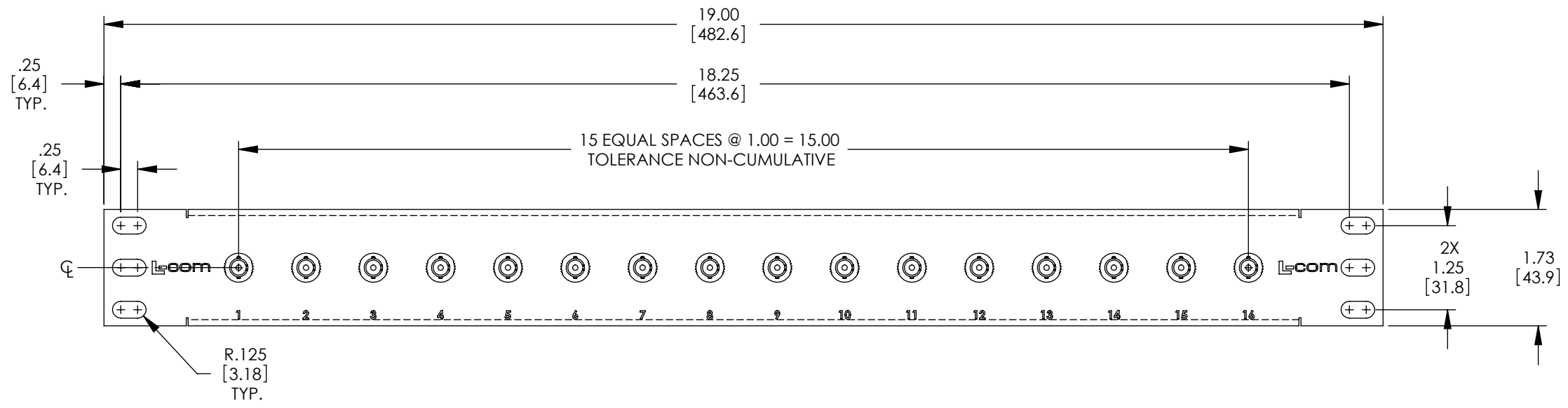
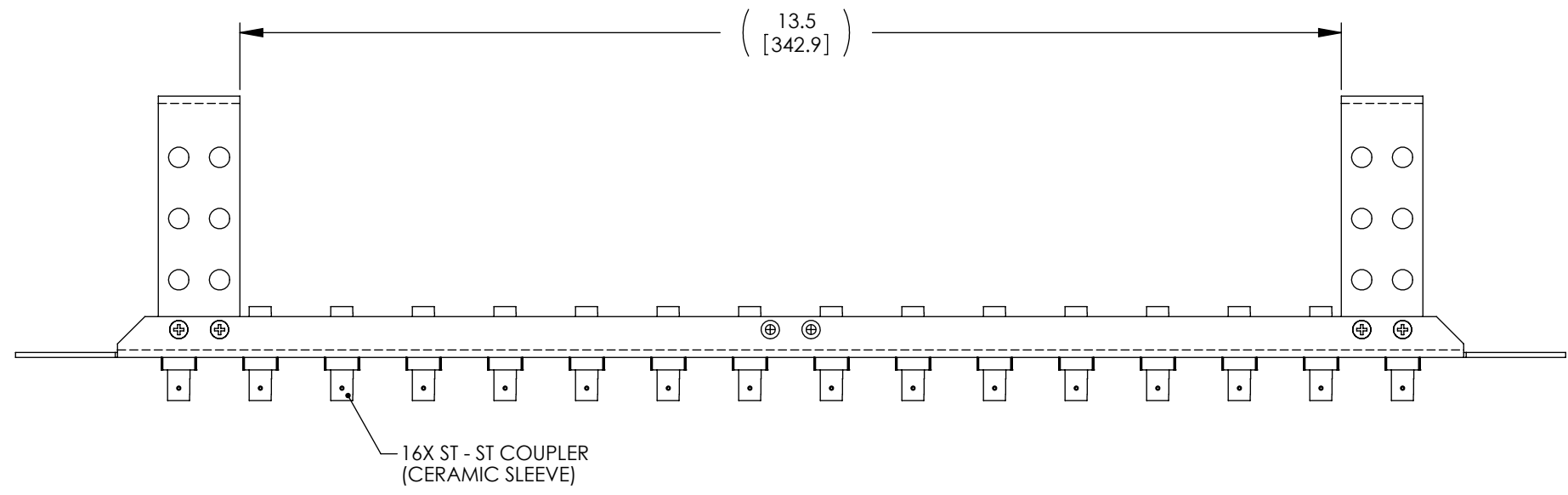


THE INFORMATION CONTAINED IN THIS DRAWING IS THE SOLE PROPERTY OF L-COM, INC. ANY REPRODUCTIONS IN PART OR WHOLE WITHOUT THE WRITTEN PERMISSION OF L-COM, INC. IS PROHIBITED.

| REVISIONS | | | |
|-----------|---|----------|-------------|
| REV | DESCRIPTION | DATE | CHANGED BY |
| A | INITIAL RELEASE | 11/08/06 | MCCORMICK |
| B | ECN 5376: RE-MODELED AND RE-DIMENSIONED | 3/16/11 | D.FRISIELLO |
| | | | |
| | | | |



- NOTES:
1. MATERIAL: .06 THICK COLD ROLLED STEEL.
 2. PANEL FINISH: FLAT BLACK POWDER COAT.
 3. SILKSCREEN COLOR: WHITE.
 4. PANEL ASSEMBLY SHALL BE PACKAGED IN ACCORDANCE WITH L-COM SPECIFICATION PS-0014.
 5. PANEL ASSEMBLY IS SHIPPED WITH DUST CAPS INSTALLED. (NOT SHOWN)

RoHS Compliant ✓

UNLESS OTHERWISE SPECIFIED,
DIMENSIONS ARE IN INCHES [mm]
OVERALL CABLE LENGTH TOLERANCE:
≤12 [305] = +1 [25] / -0
>12 [305] ≤60 [1524] = +2[51] / -0
>60 [1524] ≤120 [3048] = +4 [102] / -0
>120 [3048] ≤300 [7620] = +6 [152] / -0
>300 [7620] = +5% / -0%
ALL OTHER DIMENSIONAL TOLERANCES:
.X = ±.2
.XX = ±.02
.XXX = ±.005

| APPROVALS | DATE |
|--------------------------|------------|
| DRAWN BY C.MCCORMICK | 11/08/2006 |
| CHECKED BY R.EVANS | 11/08/2006 |
| APPROVED BY J.ROBERTS | 11/08/2006 |

CONFIGURATION DETAILS OF
UNDIMENSIONED FEATURES
MAY VARY

COLOR VARIATIONS
MAY OCCUR

L-com Global Connectivity
45 BEECHWOOD DRIVE
NORTH ANDOVER, MA
01845

| | | | |
|-------------------------|--------------------------|---|------------------|
| CATEGORY RACK PANELS | | PRODUCT DESCRIPTION 1U RACK MNT PNL w/ 16 ST SM CPLR +CM | |
| SIZE B | FSCM NO. 43321 | DWG. NO. PR175ST16CMB-SM | REV. B |
| SCALE: 1:2 | | CAD FILE: PR175ST16CMB-SM.SLDDRW | SHEET 1 OF 1 |