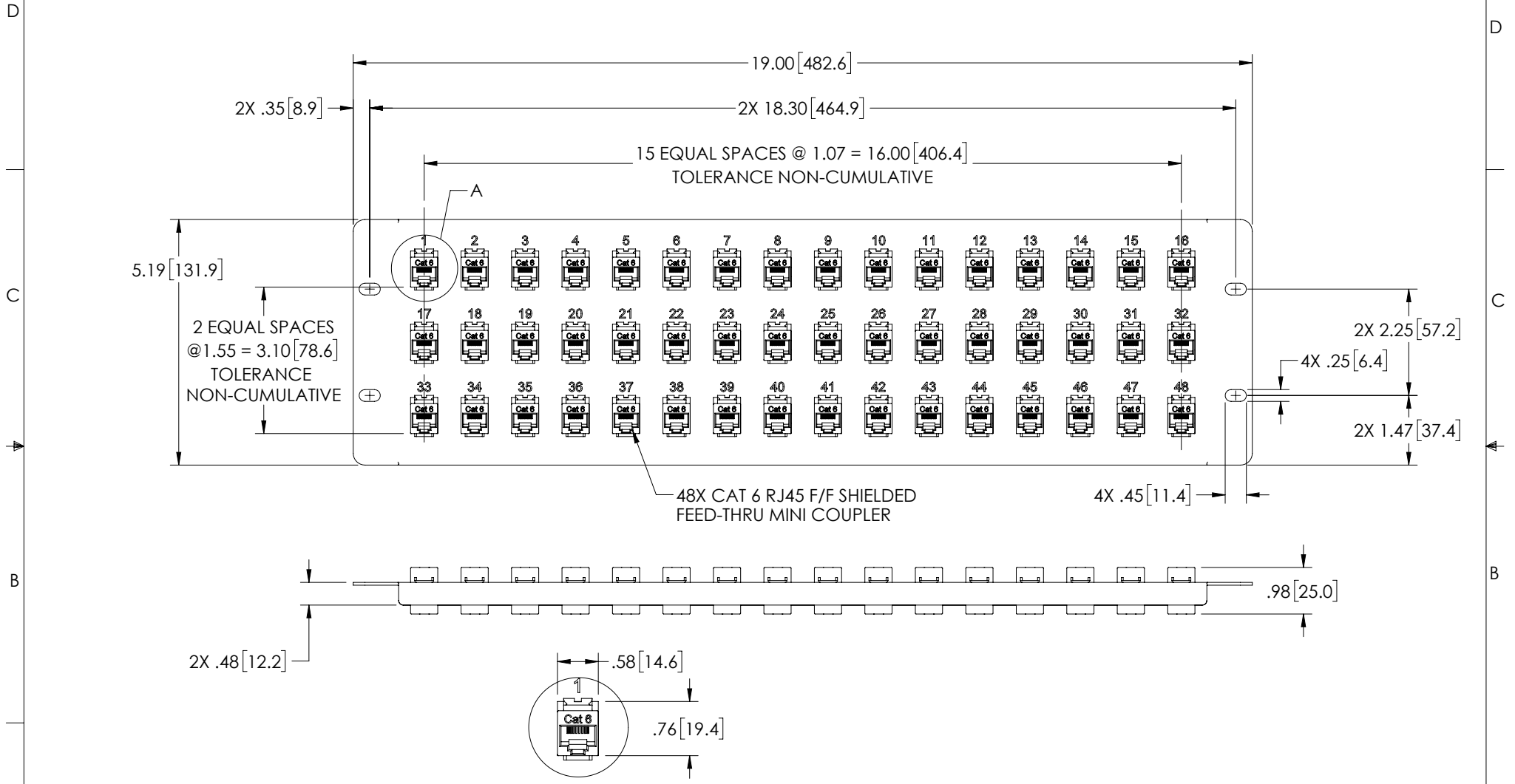


THE INFORMATION CONTAINED IN THIS DRAWING IS THE SOLE PROPERTY OF L-COM, INC. ANY REPRODUCTION IN PART OR WHOLE WITHOUT THE WRITTEN PERMISSION OF L-COM, INC. IS PROHIBITED.

REVISIONS			
REV	DESCRIPTION	DATE	APPROVED
A	REV A DRAWING RELEASED	04/16/2019	MMARTINEZ



- NOTES:
1. DIMENSIONS FOR REFERENCE ONLY.
 2. MATERIAL: .06 THICK COLD ROLLED STEEL.
 3. PANEL FINISH: FLAT BLACK POWDER COAT.
 4. SILKSCREEN COLOR: WHITE.
 5. PANEL COMPONENT SHALL BE PACKAGED IN ACCORDANCE WITH L-COM SPECIFICATION PS-0014.

UNLESS OTHERWISE SPECIFIED, DIMENSIONS ARE IN INCHES [mm] OVERALL CABLE LENGTH TOLERANCE: ≤12 [305] = +1 [25] / -0 >12 [305] ≤60 [1524] = +2 [51] / -0 >60 [1524] ≤120 [3048] = +4 [102] / -0 >120 [3048] ≤300 [7620] = +6 [152] / -0 >300 [7620] = +5% / -0%	APPROVALS	DATE		50 HIGH STREET NORTH ANDOVER, MA 01845
	DRAWN BY DZINN	04/08/2019		
ALL OTHER DIMENSIONAL TOLERANCES: .X = ± .2 [5.08] .XX = ± .02 [51] .XXX = ±.005 [1.27]	CHECKED BY DFRISIELLO	04/08/2019	PRODUCT DESCRIPTION PNL,3U RACK w/48 C6 MINI CPLR	
PROJECTION 	APPROVED BY MMARTINEZ	04/08/2019	CONFIGURATION DETAILS OF UNDIMENSIONED FEATURES MAY VARY COLOR VARIATIONS MAY OCCUR	SIZE A FSCM NO. 43321 DWG. NO. PR525-C6-48M
SCALE: NONE			CAD FILE: PR525-C6-48M.SLDDRW	SHEET 1 OF 1